

[54] SWING SEAT

[75] Inventor: Victor Horace Yates, Shelley, near Huddersfield, England

[73] Assignee: The Sutcliffe Engineering Holdings Limited, Ossett, England

[**] Term: 14 Years

[21] Appl. No.: 610,767

[22] Filed: Sept. 5, 1975

[30] Foreign Application Priority Data

Mar. 12, 1975 United Kingdom 970282/75

[51] Int. Cl. D21-03

[52] U.S. Cl. D34/5 M

[58] Field of Search D34/5 M; D25/64, 65, D25/69; 272/85

[56]

References Cited

U.S. PATENT DOCUMENTS

3,260,522	7/1966	White et al.	272/85
D. 210,609	3/1968	Confer	D34/5 M
D. 214,571	7/1969	Cohn	D34/5 M

Primary Examiner—Melvin B. Feifer

Attorney, Agent, or Firm—Joseph F. Brisebois

[57]

CLAIM

The ornamental design for a swing seat, as shown.

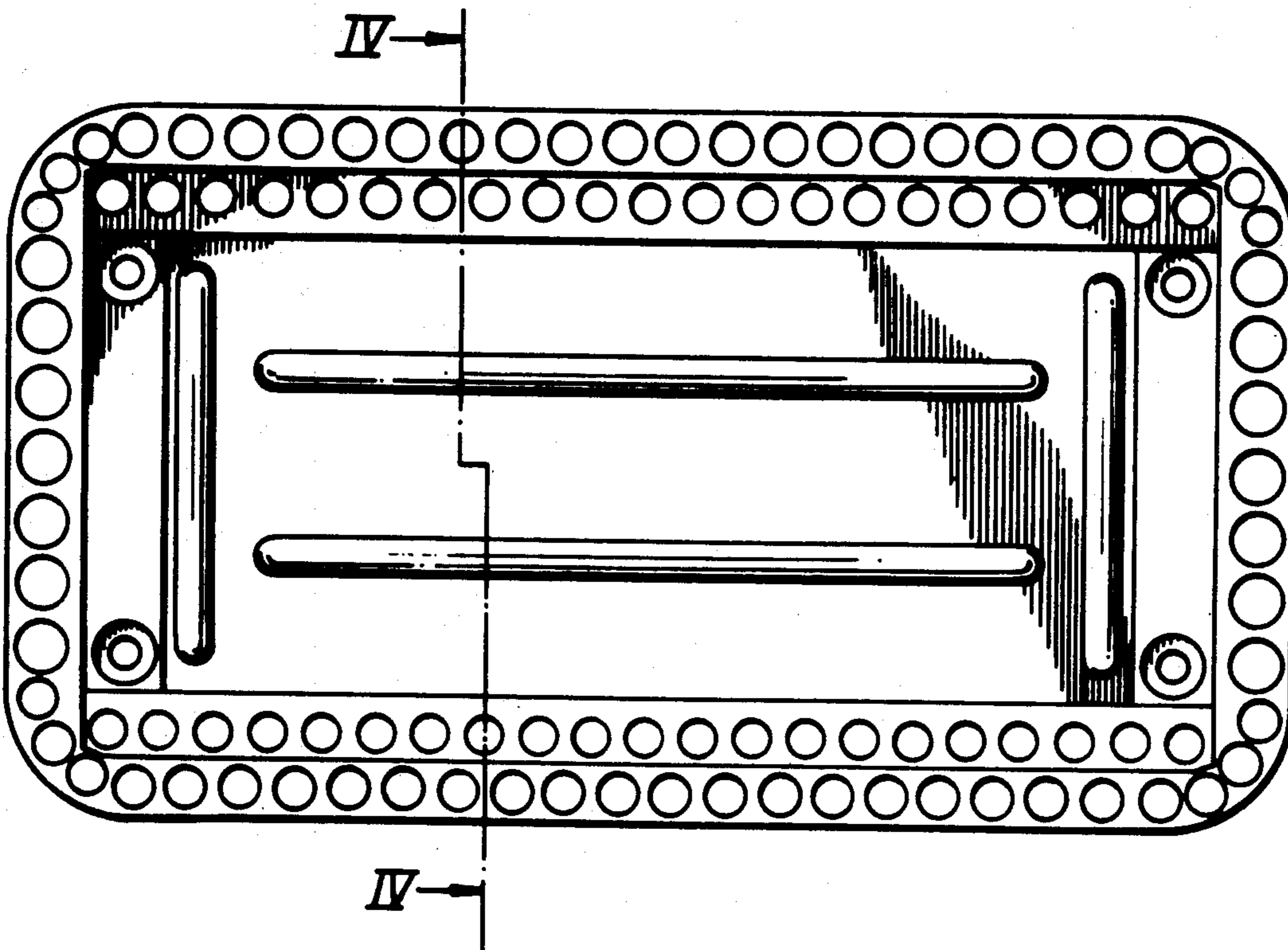
DESCRIPTION

FIG. 1 is a plan view of the swing seat showing my new design;

FIG. 2 is a side elevation of the swing seat;

FIG. 3 is an underneath view of the swing seat; and

FIG. 4 is a cross-section taken on the line IV-IV of FIG. 3.



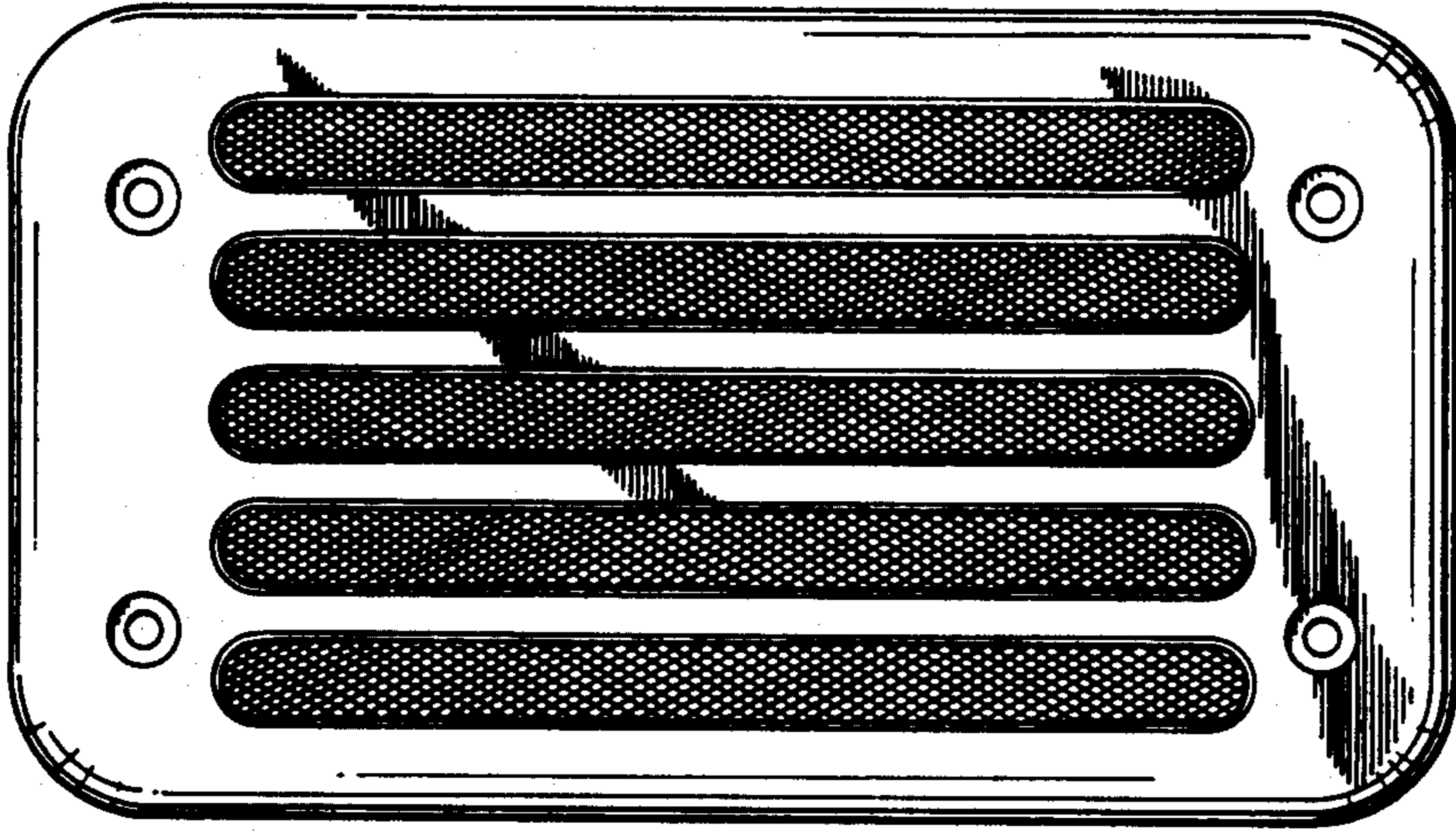


FIG. 1.

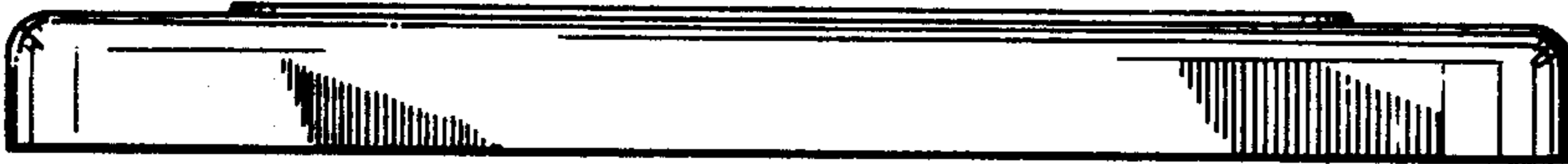


FIG. 2.

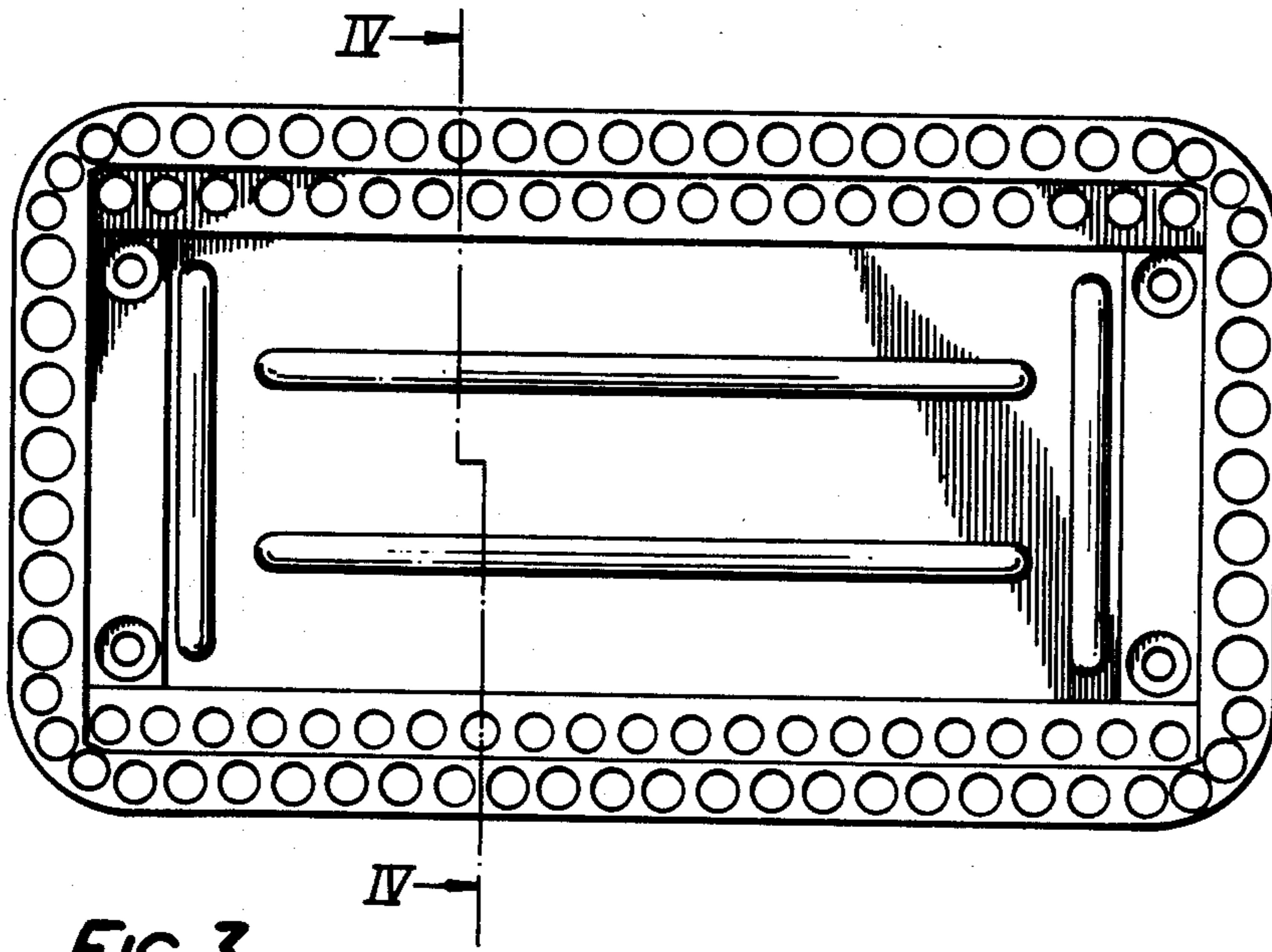


FIG. 4.

