

[54] **COMBINED SLIDE AND SWING SUPPORT OR THE LIKE**

[75] Inventors: **Emmanuel S. Smyrni; Bobbie L. White**, both of Shreveport, La.

[73] Assignee: **Gym-Dandy, Inc.**, Bossier City, La.

[**] Term: **14 Years**

[21] Appl. No.: **611,039**

[22] Filed: **Sept. 8, 1975**

[51] Int. Cl. **D21-03**

[52] U.S. Cl. **D34/5 M**

[58] Field of Search **D34/5 M, 5 E, 5 L; 272/56.5, 85**

[56] **References Cited**

OTHER PUBLICATIONS

Toys and Novelties, Mar. 1958, p. 13, third column from left, second illustration from top, slides & swings. Channel Master cat., rec'd Feb. 2, 1959, p. 10, model No. 8021A.

Primary Examiner—Melvin B. Feifer
Attorney, Agent, or Firm—Arthur H. Seidel

[57] **CLAIM**

The ornamental design for a combined slide and swing support or the like, substantially as shown and described.

DESCRIPTION

FIG. 1 is a front perspective view of a combined slide and swing support or the like showing our new design; FIG. 2 is a front view thereof; FIG. 3 is a rear view thereof; FIG. 4 is a left side view thereof; FIG. 5 is a right side view thereof; FIG. 6 is a top view thereof; FIG. 7 is a bottom view thereof.

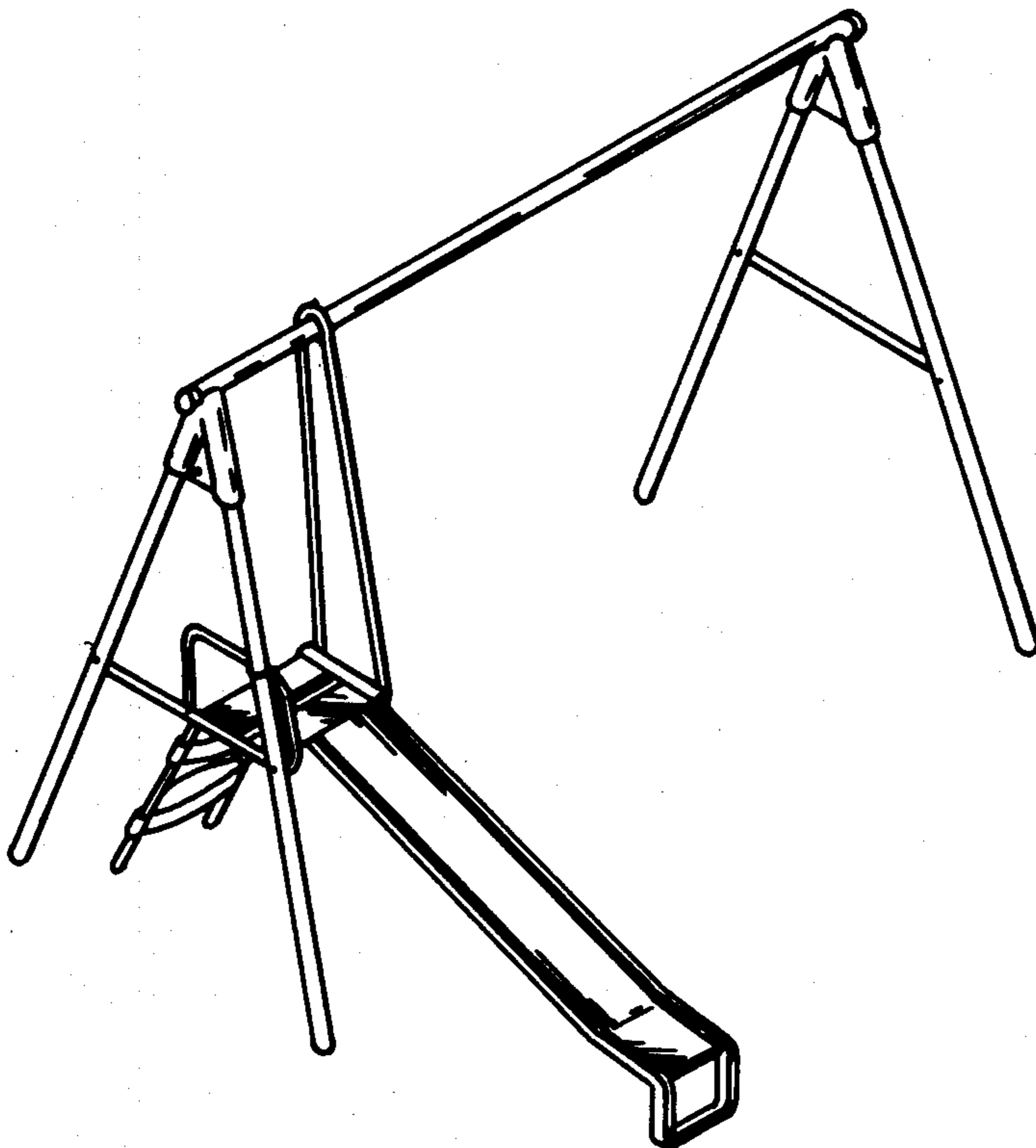


FIG. 1

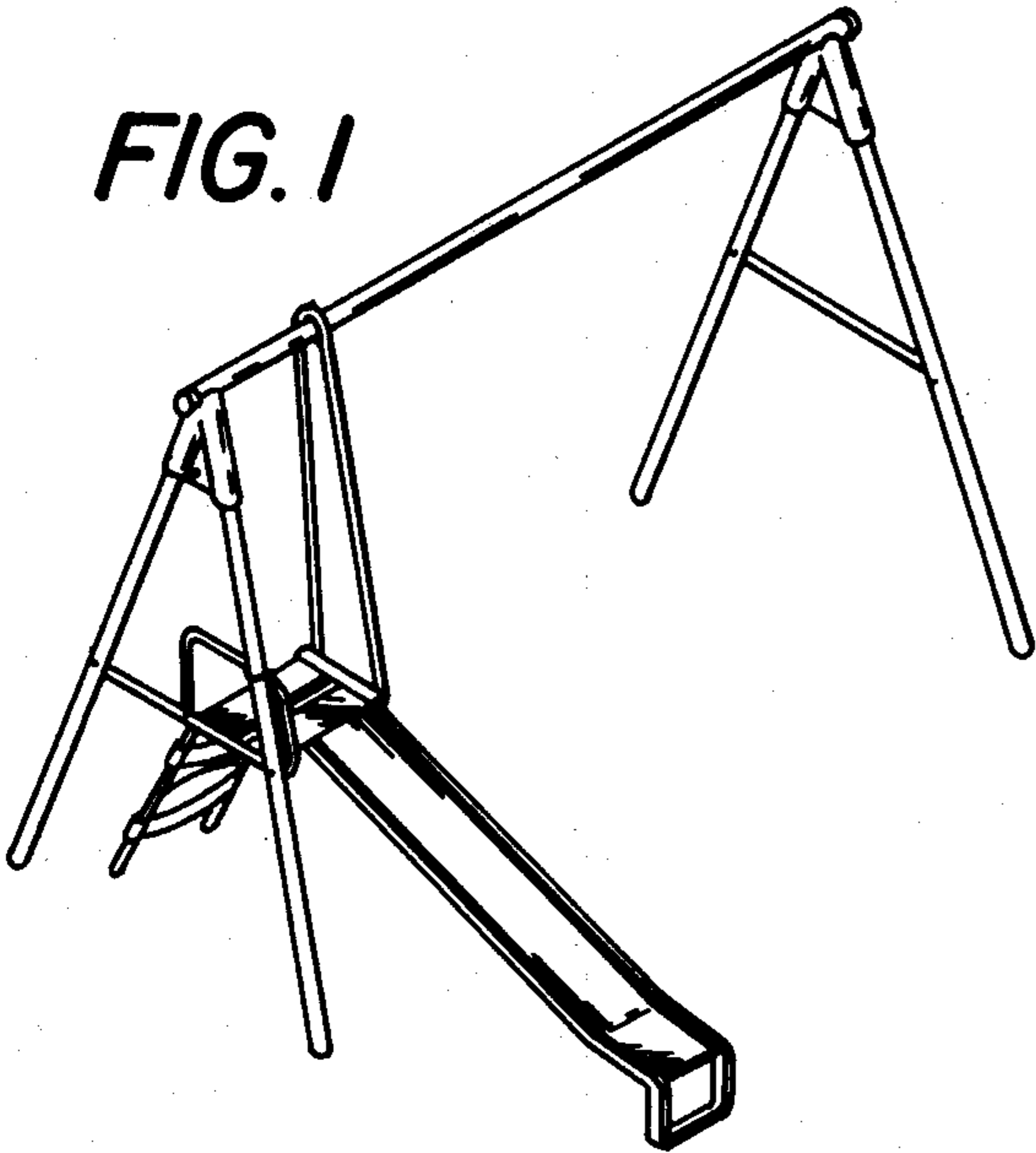


FIG. 2

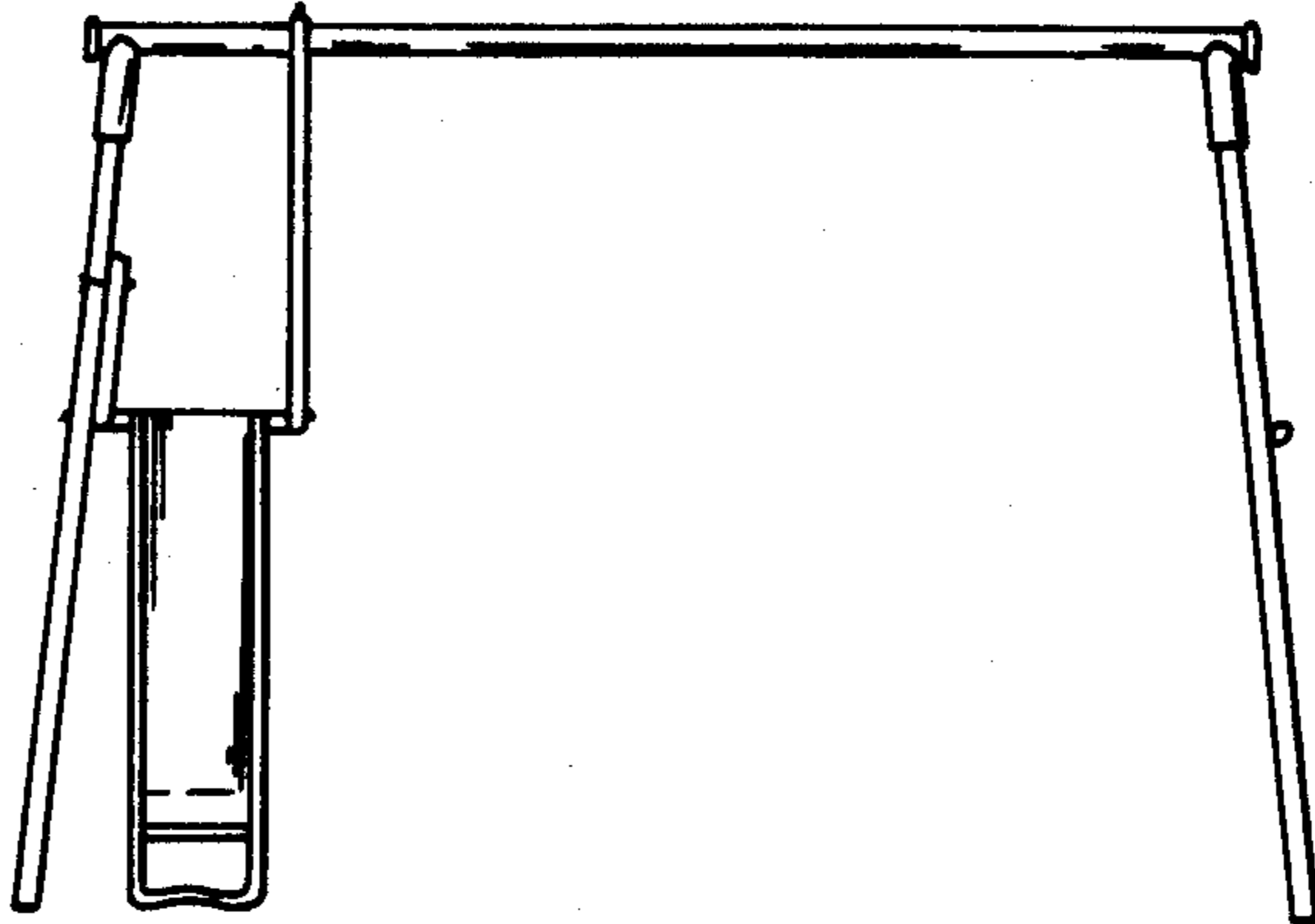


FIG. 4

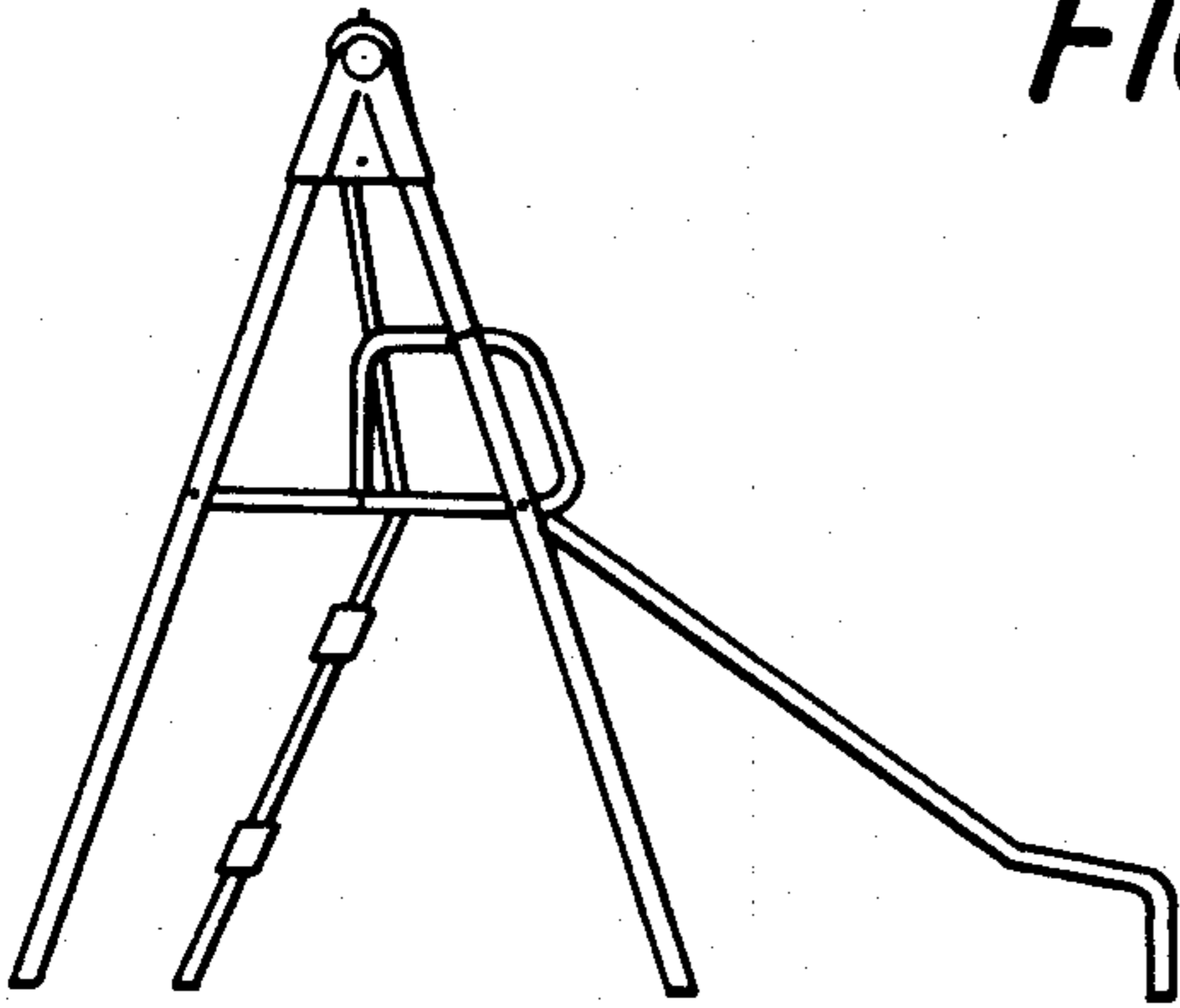


FIG. 3

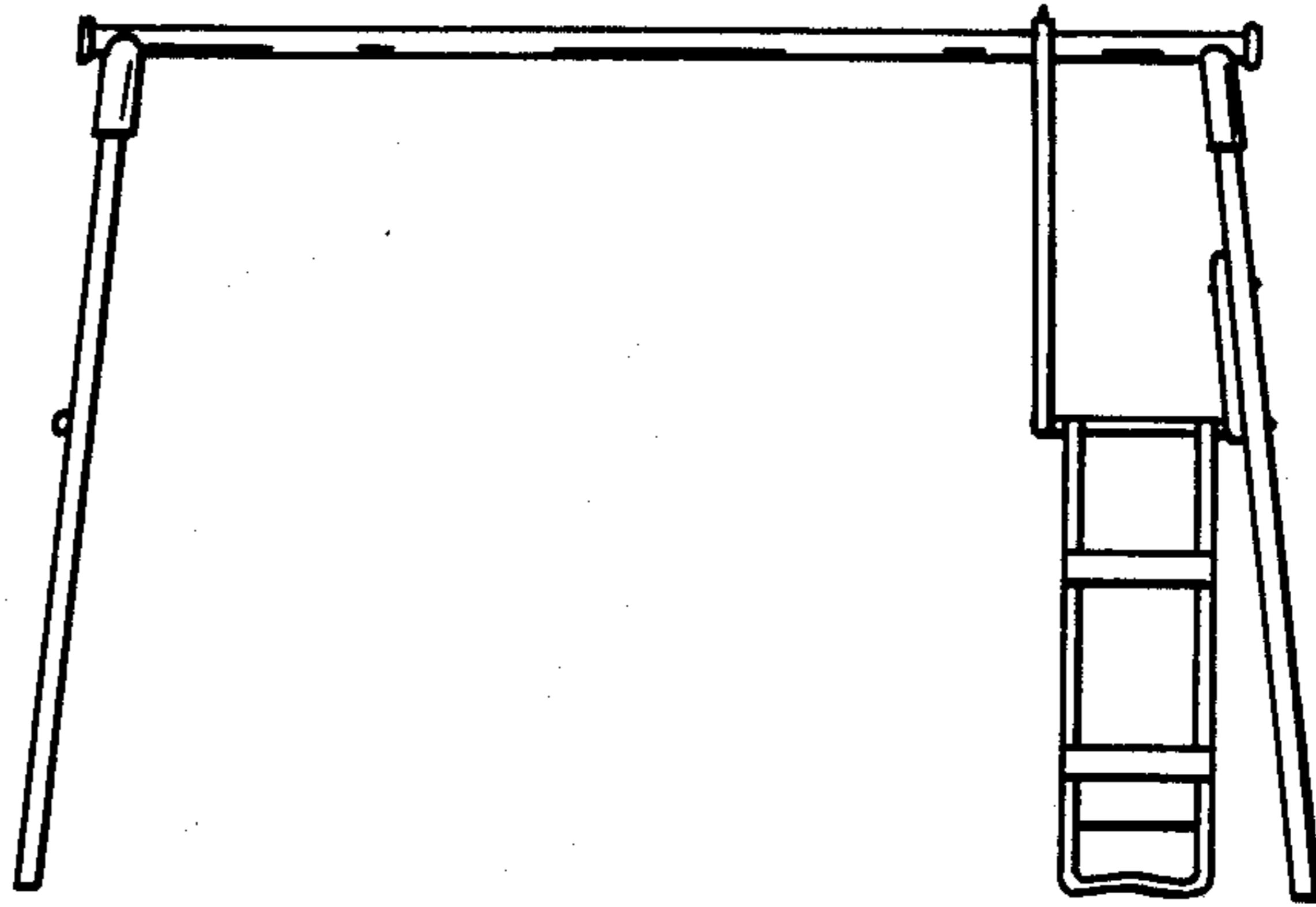


FIG. 6

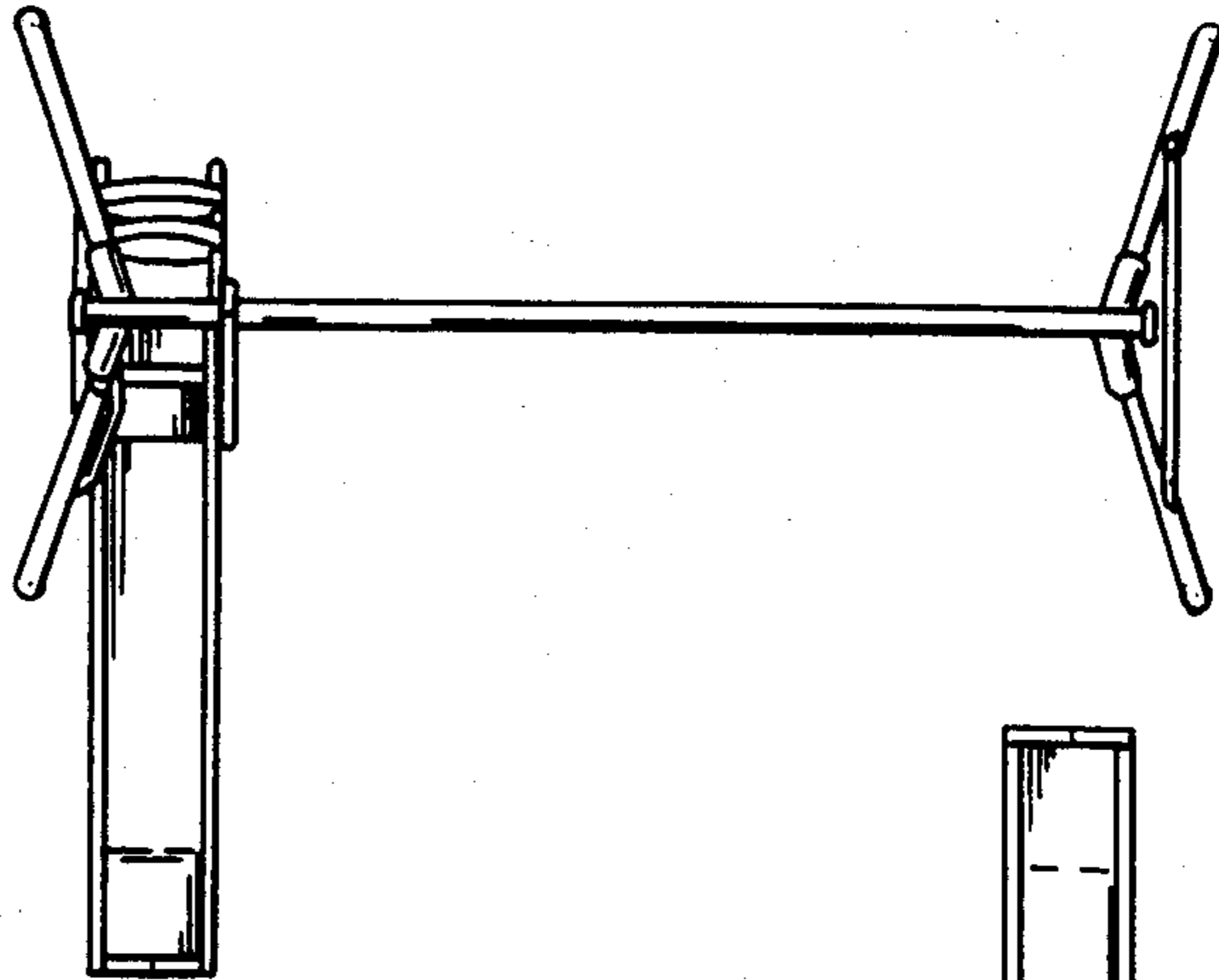


FIG. 5

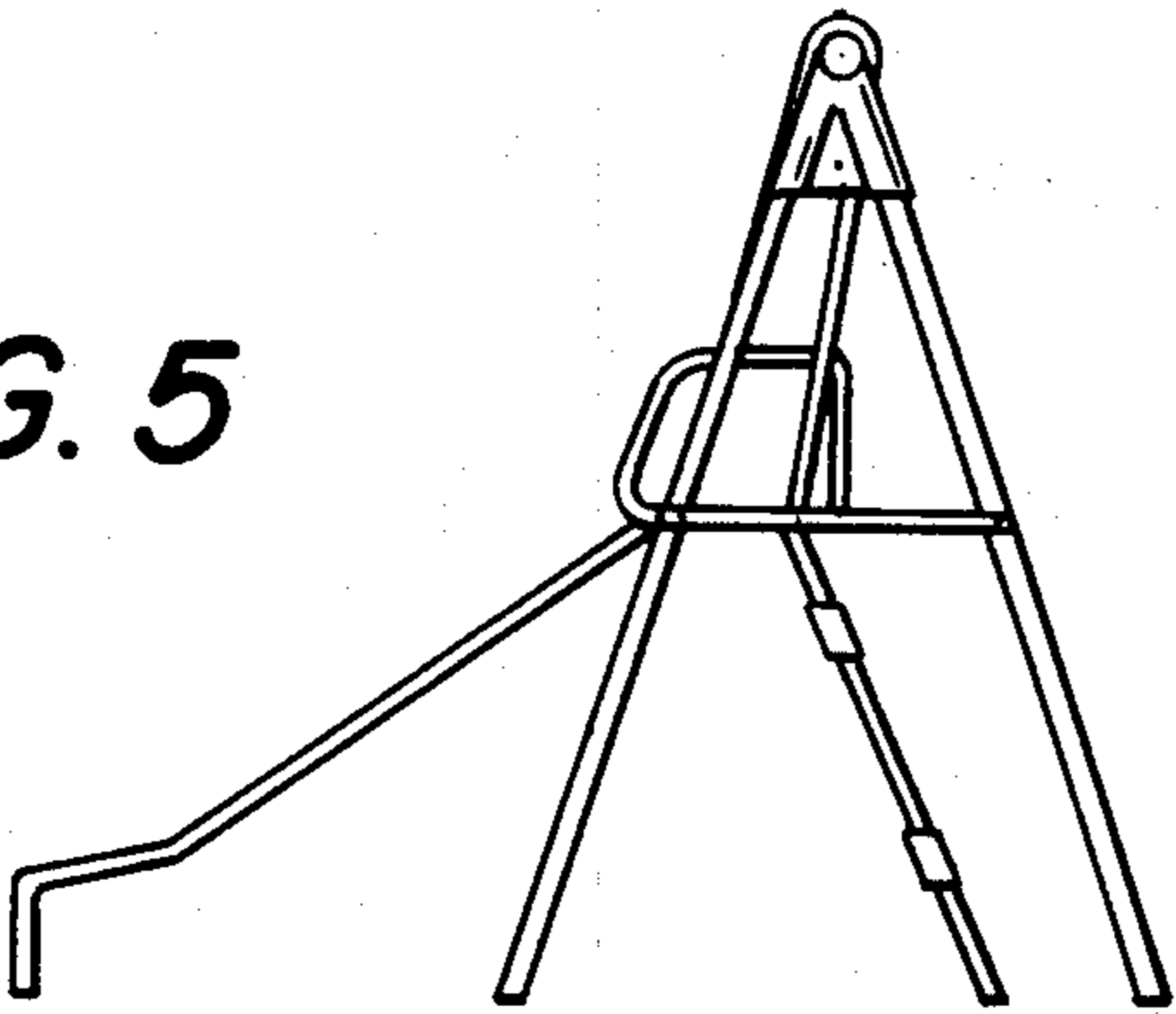


FIG. 7

