

[54] ACTUATOR ASSEMBLY FOR A PORTABLE HAND FIRE EXTINGUISHER

[75] Inventor: Roger Jay Montambo, Red Wing, Minn.

[73] Assignee: The Ansul Company, Marinette, Wis.

[\*\*] Term: 14 Years

[21] Appl. No.: 582,919

[22] Filed: June 2, 1975

[51] Int. Cl. .... D29-01

[52] U.S. Cl. .... D29/2

[58] Field of Search ..... D32/2 A; D9/8, 9, 216, D9/275, 291; 169/30, 70, 71, 77-78, 88; D8/247

[56] References Cited

U.S. PATENT DOCUMENTS

3,224,720	12/1965	Hain	.....	D32/2 A
D. 153,098	3/1949	Ballard	.....	D32/2 A

OTHER PUBLICATIONS

The Ansul Company brochure, Form No. F-7475, (received 9/2/75), published 1974.

Primary Examiner—Wallace R. Burke

Assistant Examiner—Larry Jones

Attorney, Agent, or Firm—George B. Finnegan

[57] CLAIM

The ornamental design for an actuator assembly for a portable hand fire extinguisher, as shown and described.

DESCRIPTION

FIG. 1 is a front elevation view of the actuator assembly for a portable hand fire extinguisher;

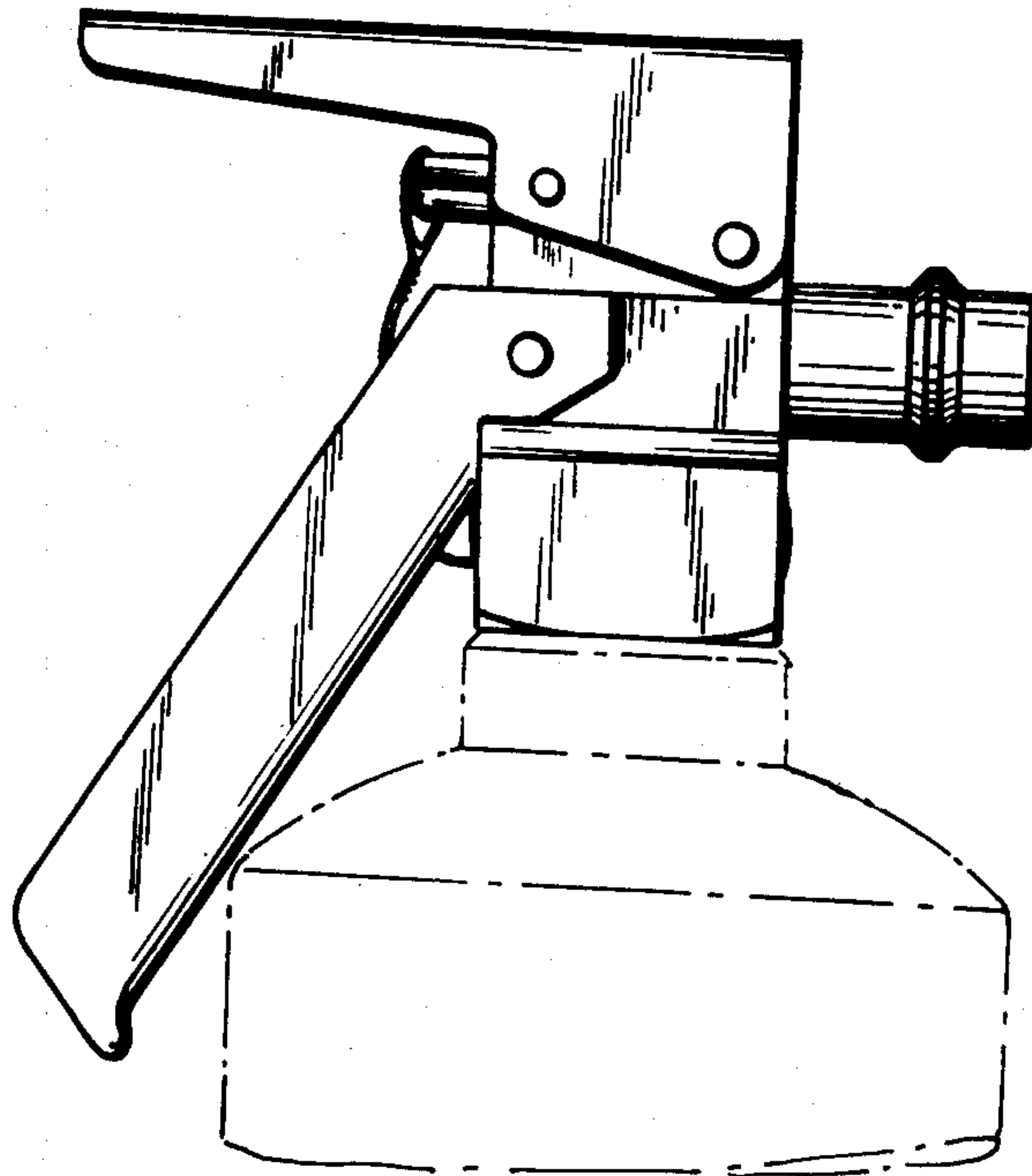
FIG. 2 is a fragmentary left side view of the fire extinguisher;

FIG. 3 is a top plan view of the fire extinguisher;

FIG. 4 is a fragmentary right side elevation view of the fire extinguisher; and

FIG. 5 is a fragmentary rear elevation view of the fire extinguisher;

The broken line showing of the tank is for illustrative purposes only and forms no part of the claimed design.



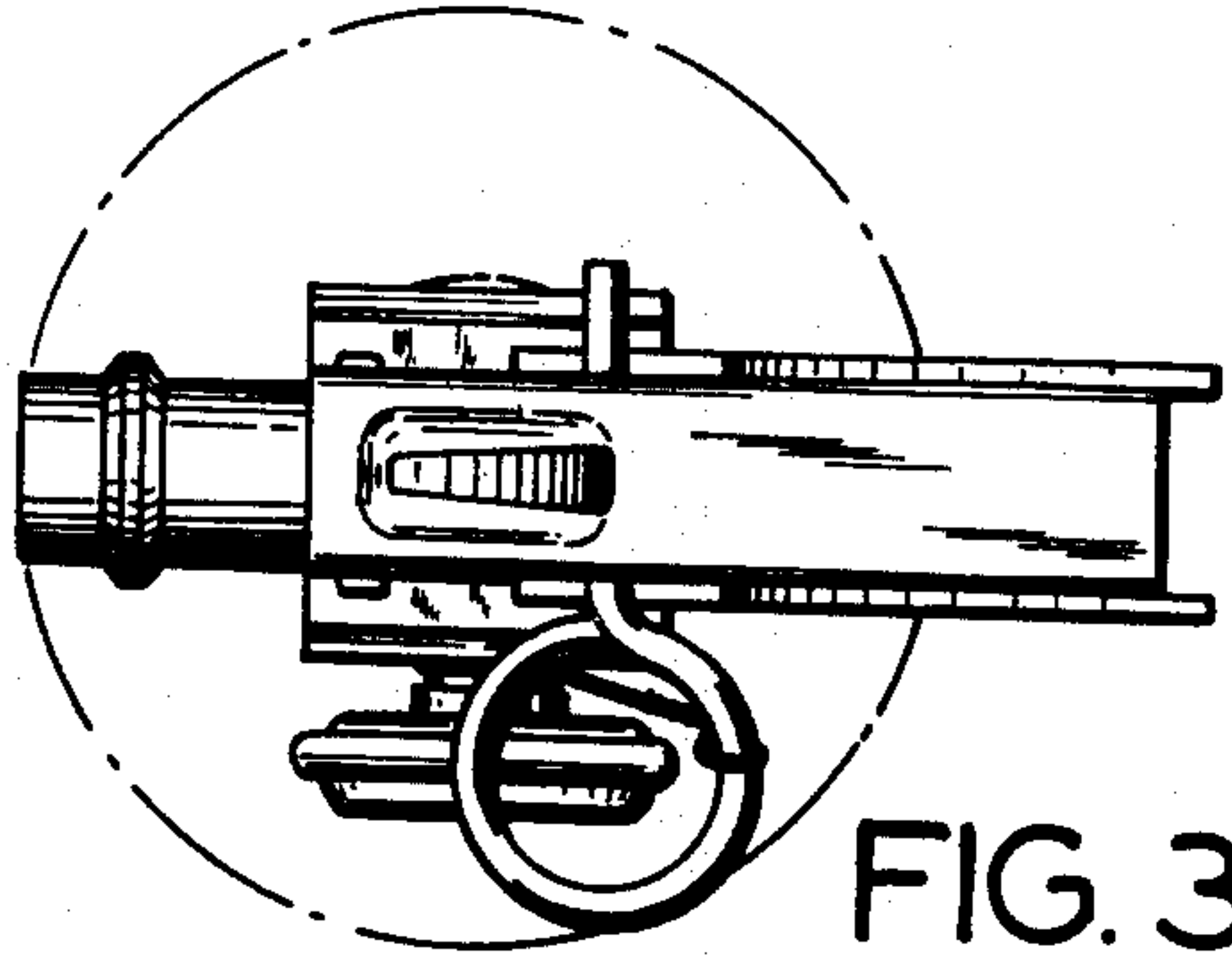


FIG. 3

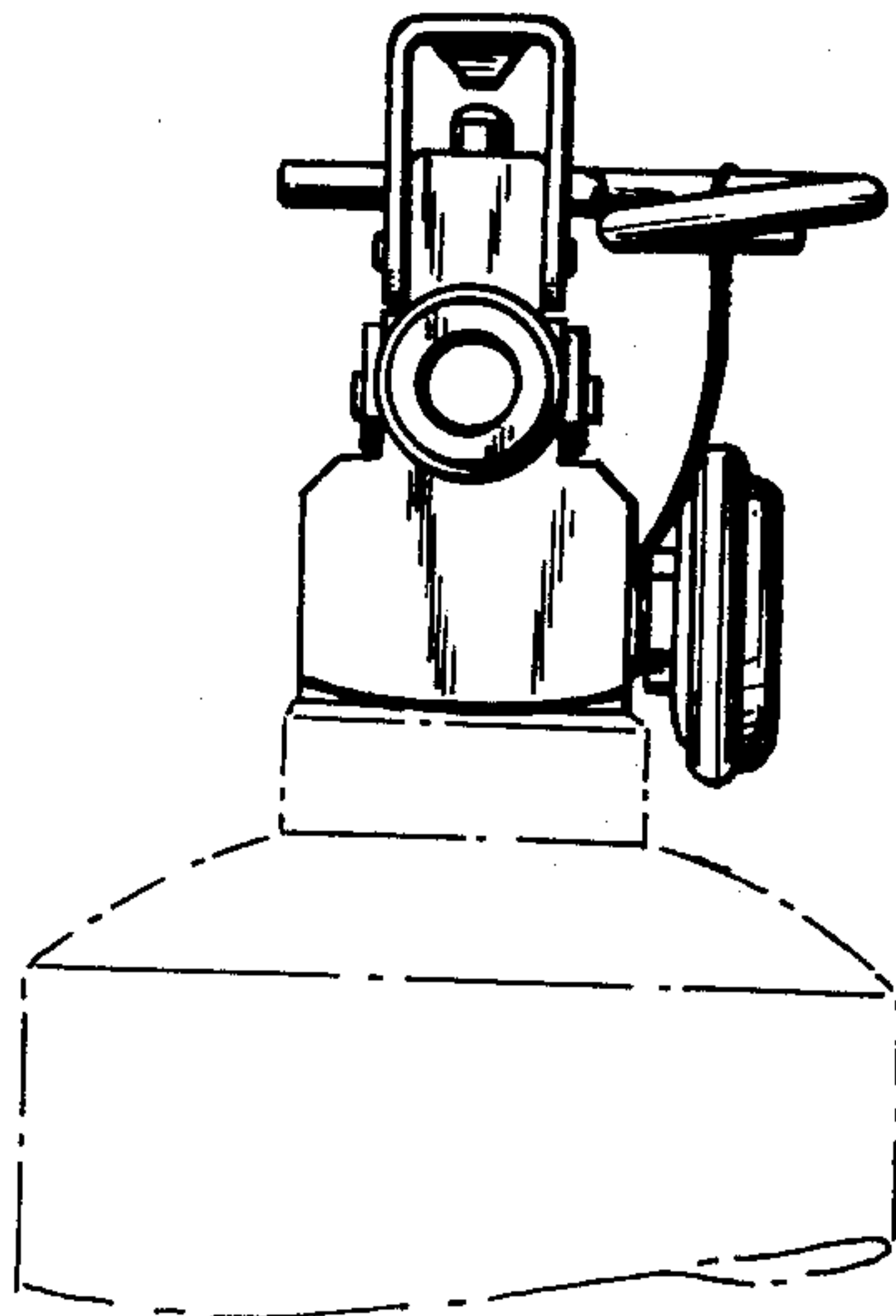


FIG. 2

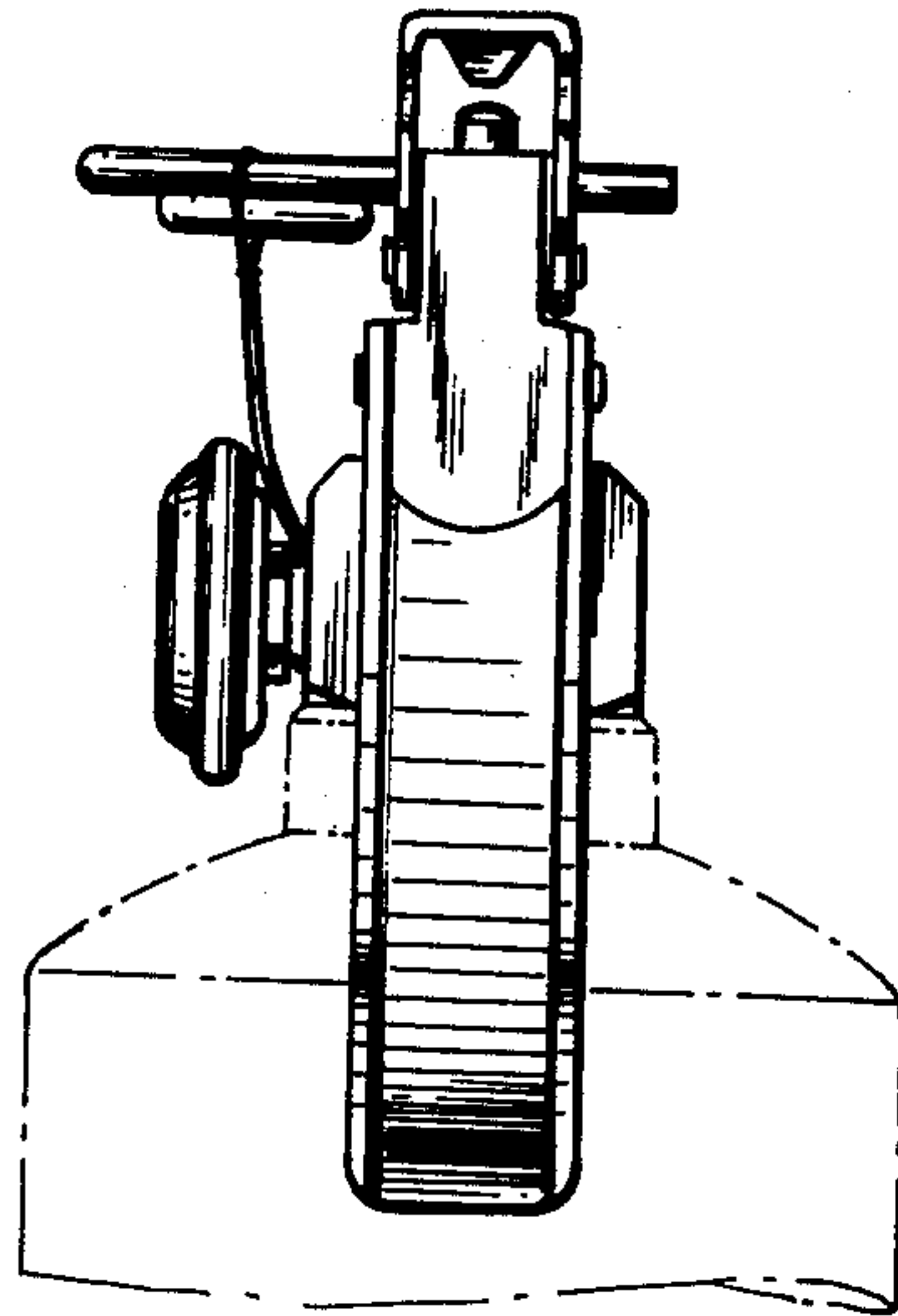


FIG. 4

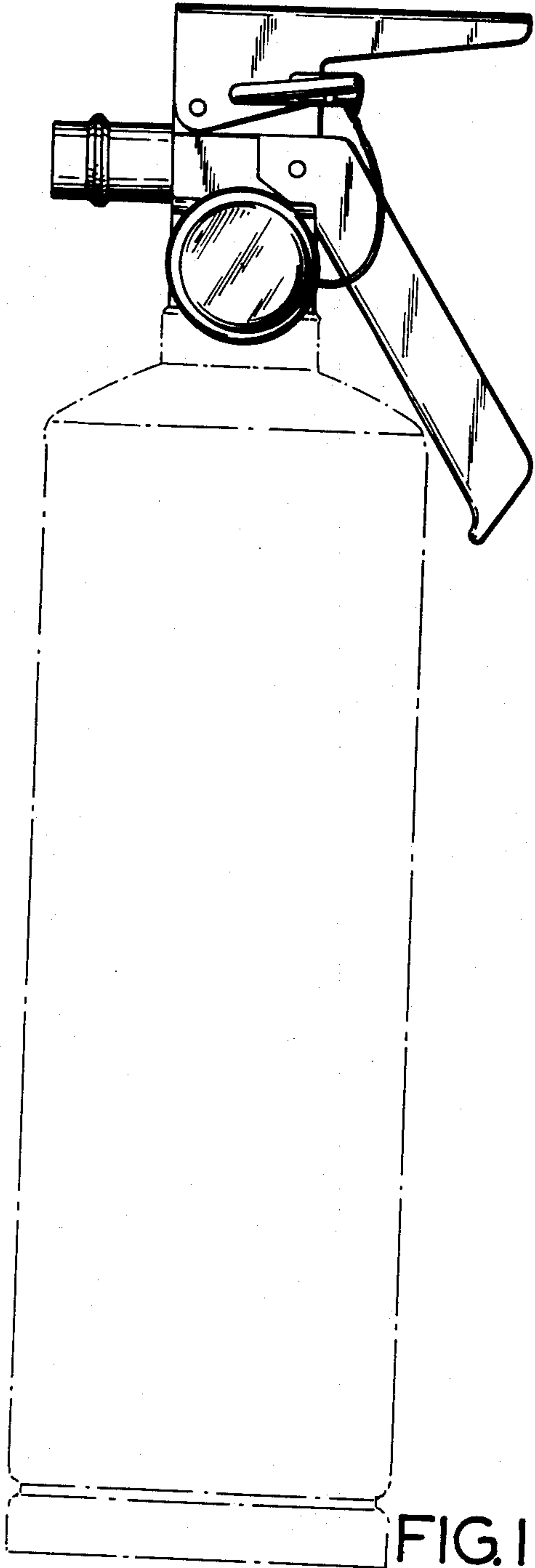


FIG. 1

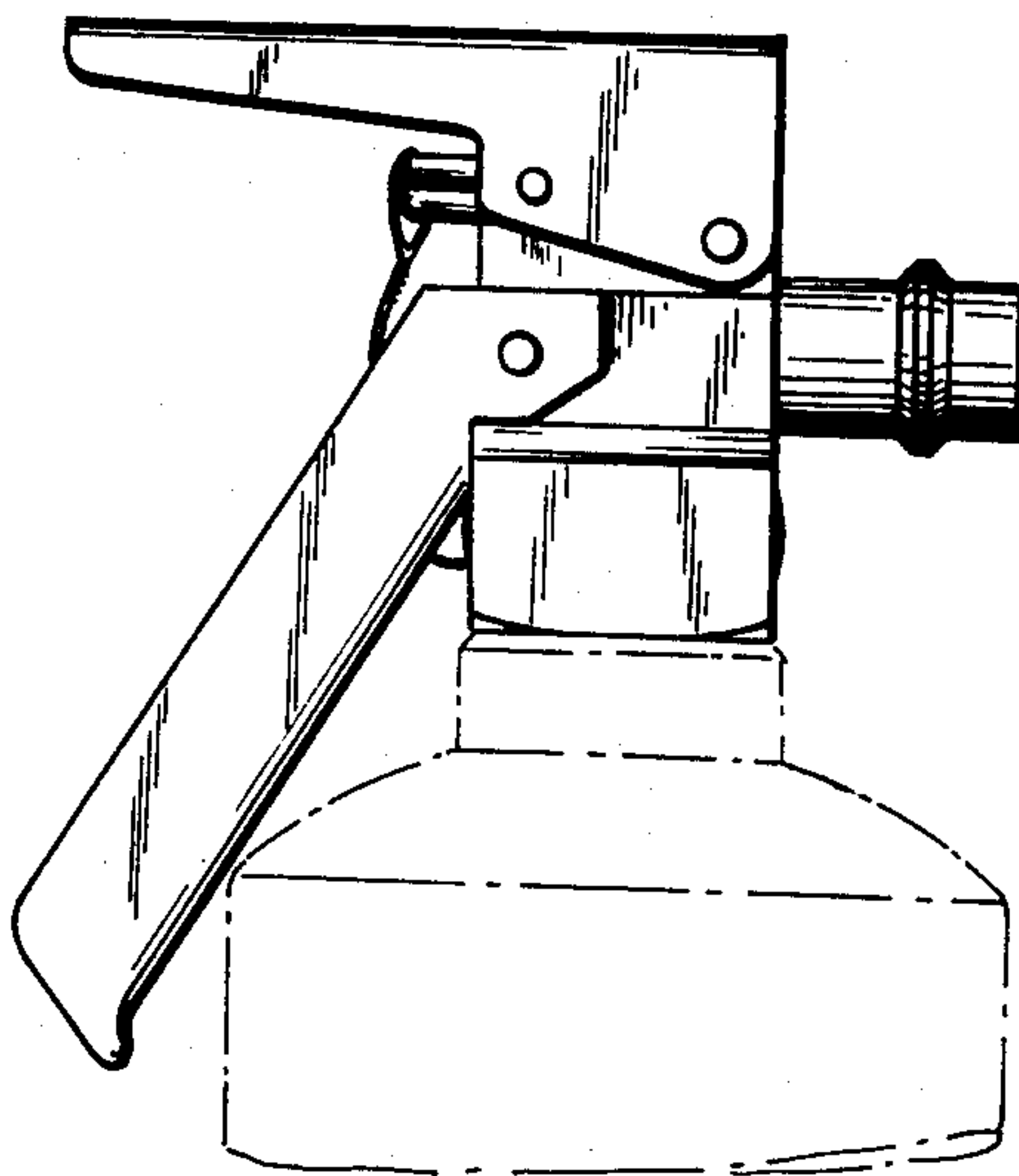


FIG. 5