

[54] ANIMAL TOILET
 [75] Inventors: Wayne L. Knochel; Robert S. Traeger, both of Rochester, Ind.
 [73] Assignee: KLT Industries, Inc., Rochester, Ind.
 [**] Term: 14 Years
 [21] Appl. No.: 688,980
 [22] Filed: May 24, 1976
 [51] Int. Cl. D30-99
 [52] U.S. Cl. D30/99
 [58] Field of Search D30/1-18, D30/32-99; 119/1, 19

3,752,121 8/1973 Brazzell 119/1
 3,793,988 2/1974 Traeger D30/99 X
 3,793,989 2/1974 Clark 119/1
 3,827,401 8/1974 Franzl D30/99 X
 D. 203,929 3/1966 Lowe, Sr. D30/41
 D. 228,558 10/1973 Brickel D30/99
 D. 241,755 10/1976 Lowe, Jr. D30/99

Primary Examiner—James R. Largen
 Attorney, Agent, or Firm—James D. Hall

[57] CLAIM

The ornamental design for an animal toilet, as shown.

DESCRIPTION

FIG. 1 is a perspective view of an animal toilet showing our new design.
 FIG. 2 is a side elevational view thereof;
 FIG. 3 is a rear elevational view thereof; and
 FIG. 4 is a front elevational view thereof.

[56] References Cited
 U.S. PATENT DOCUMENTS
 2,144,329 1/1939 Conlon et al. D30/99 UX

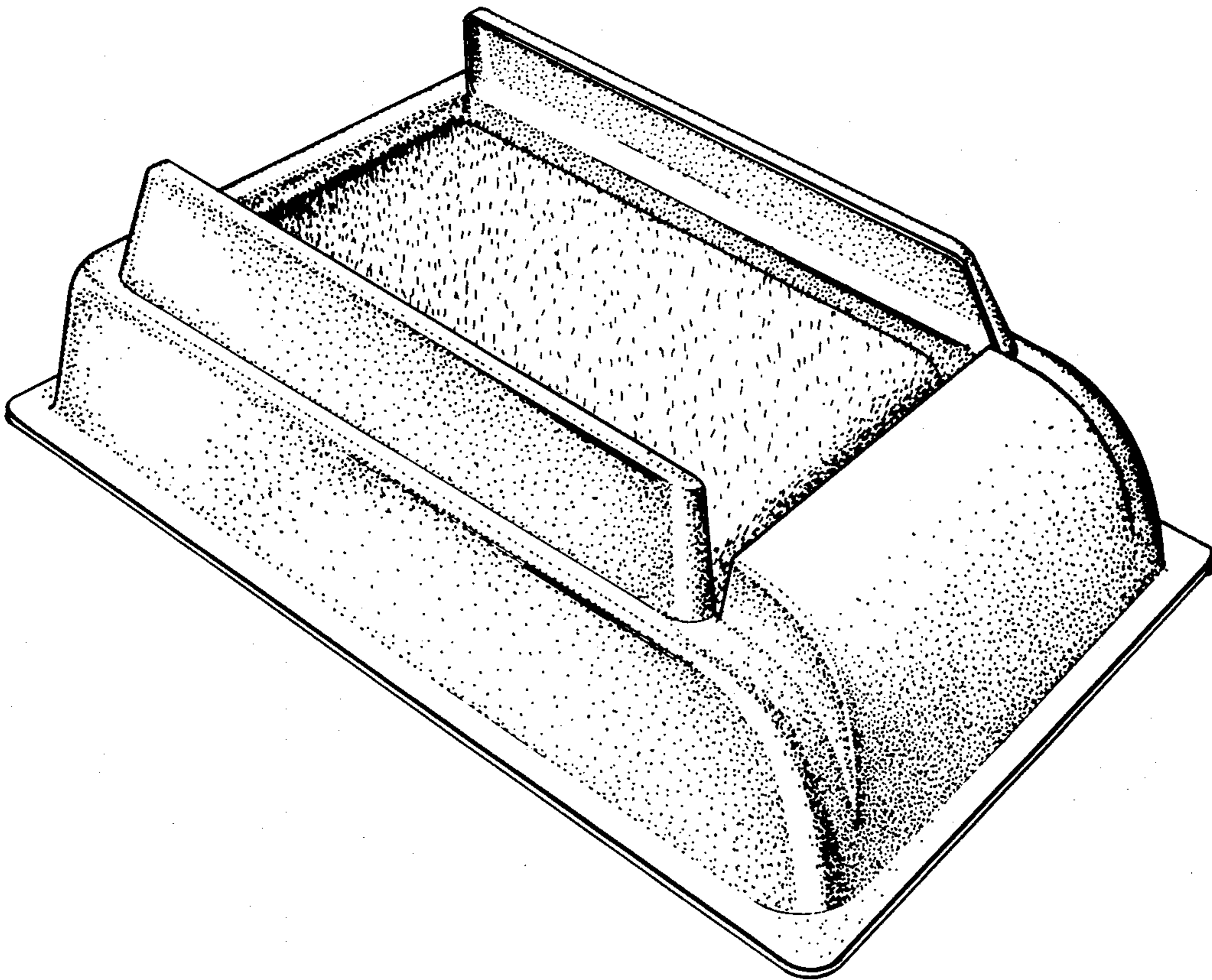


Fig. 1

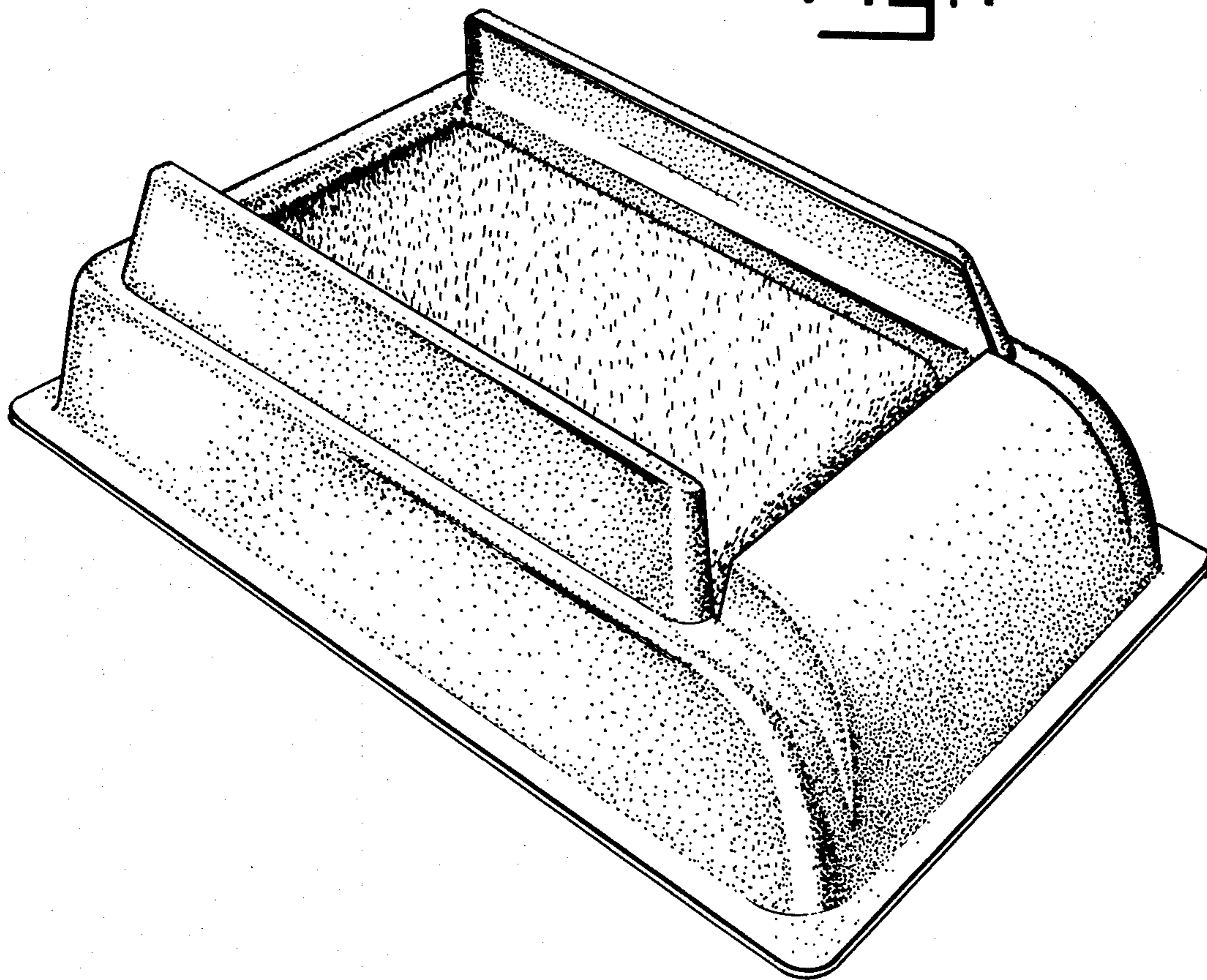


Fig. 2

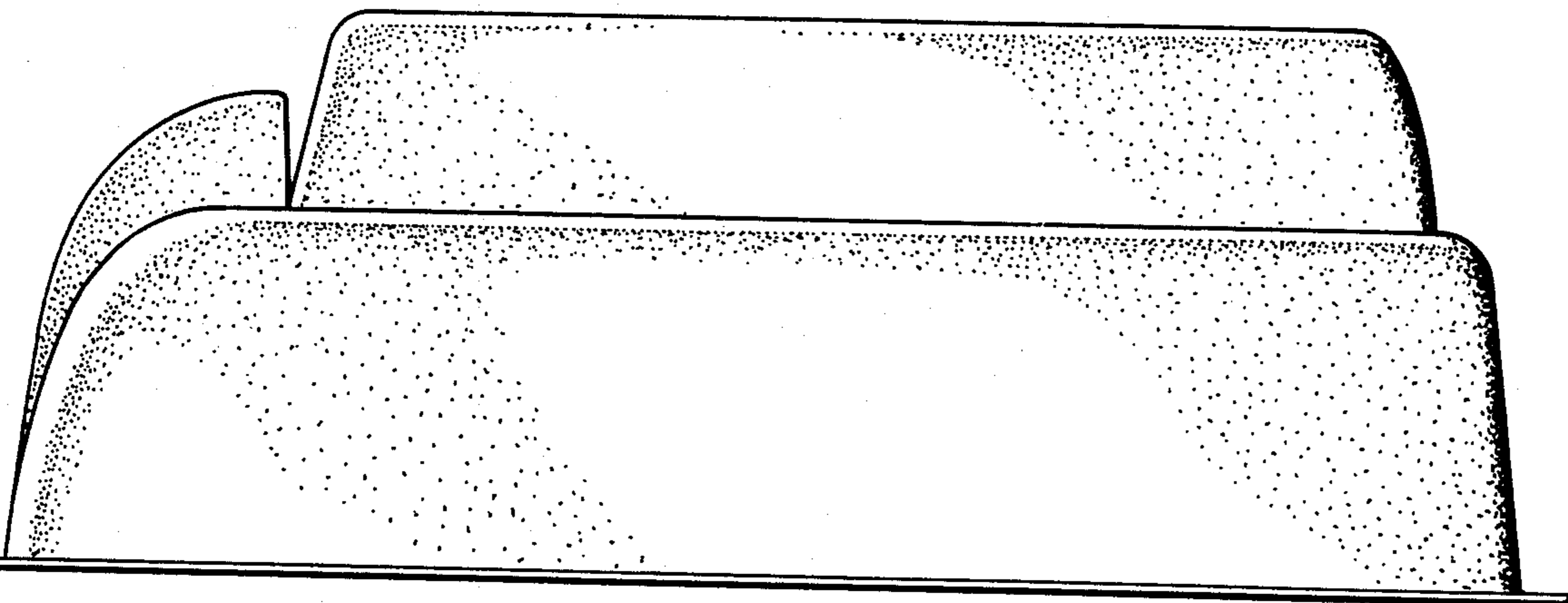


Fig. 3

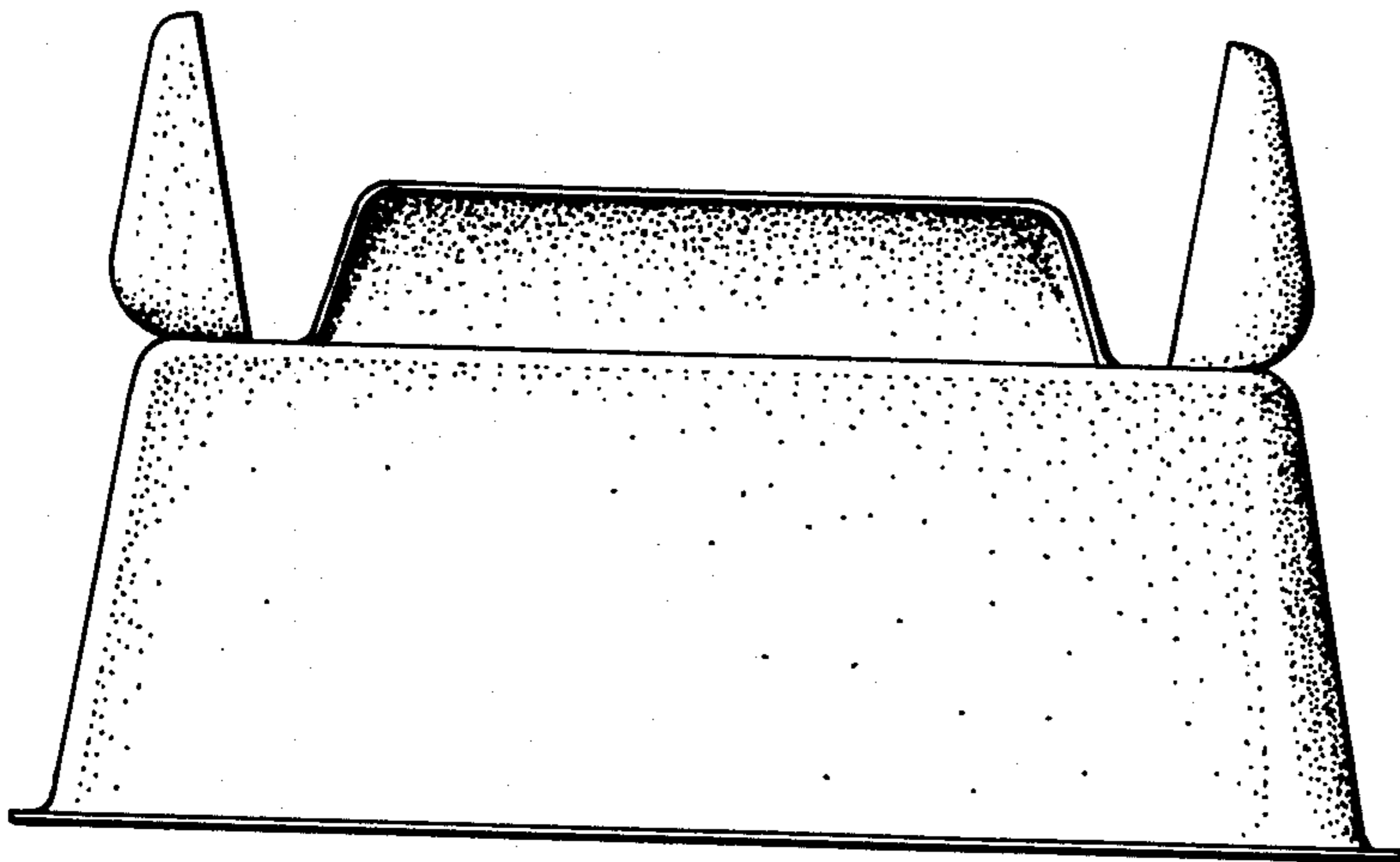


Fig. 4

