

[54] LOUDSPEAKER CONE

[75] Inventor: **Burton A. Babb**, Dallas, Tex.

[73] Assignee: **Babbco, Ltd.**, Dallas, Tex.

[**] Term: **14 Years**

[21] Appl. No.: **663,341**

[22] Filed: **Mar. 3, 1976**

[51] Int. Cl. **D14-01**

[52] U.S. Cl. **D14/37**

[58] Field of Search **D26/14 G; 181/173, 174, 181/157; D12/212**

[56] **References Cited**

U.S. PATENT DOCUMENTS

1,829,355 10/1931 **Houghton** 181/173

2,810,447	10/1957	Radin	181/174
3,563,337	2/1971	Kawamura	181/173
D. 186,669	11/1959	Richards et al.	D26/14 G
D. 186,670	11/1959	Durbin	D26/14 G
D. 225,069	11/1972	May	D26/14 G

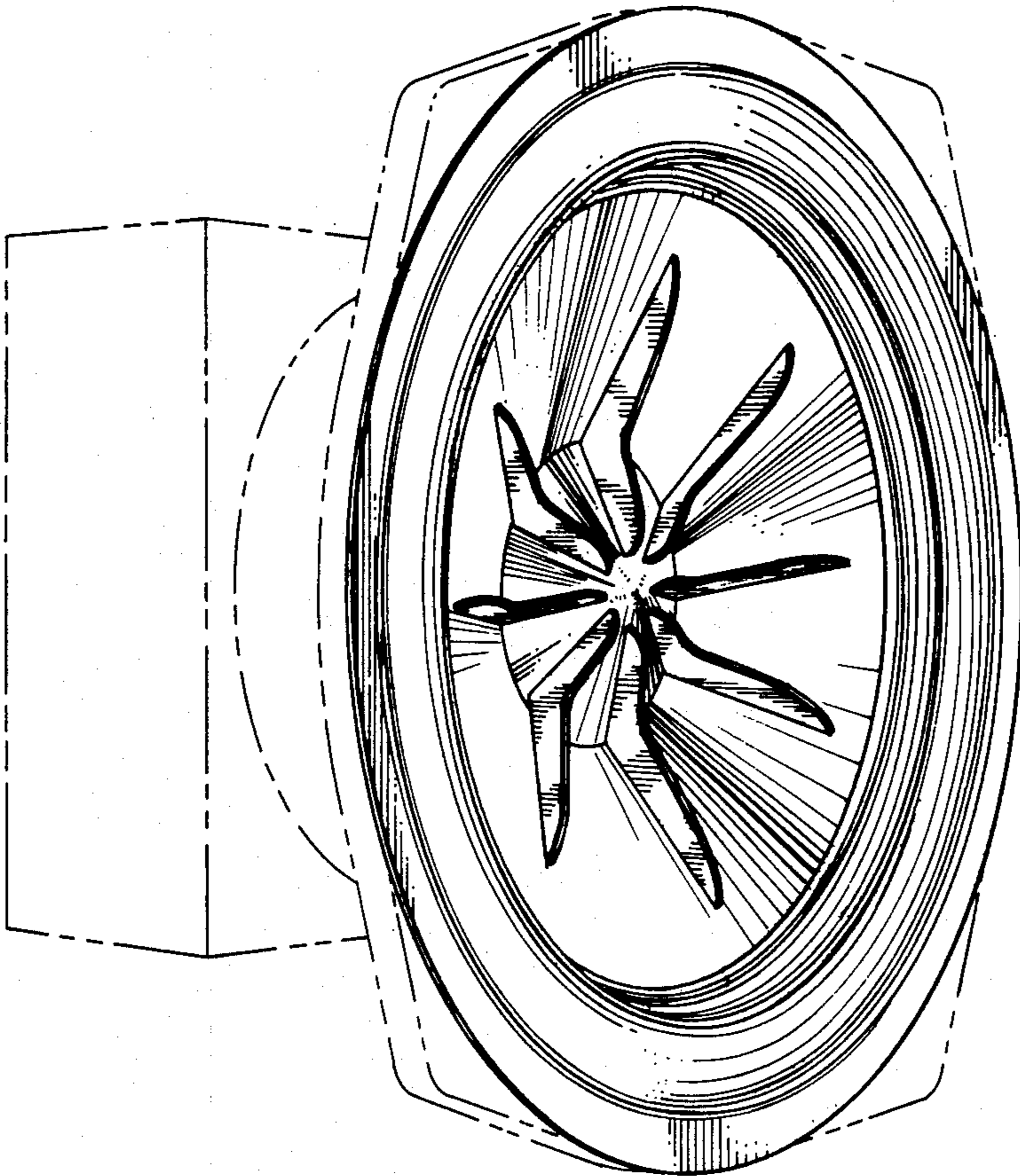
Primary Examiner—**Bernard Ansher**

[57] **CLAIM**

The ornamental design for a loudspeaker cone, as shown and described.

DESCRIPTION

FIG. 1 is a front perspective view of a loudspeaker cone showing my new design; FIG. 2 is a front elevation thereof; and FIG. 3 is a cross-section taken on line 3—3 of FIG. 2. The broken lines are shown for illustrative purposes only.



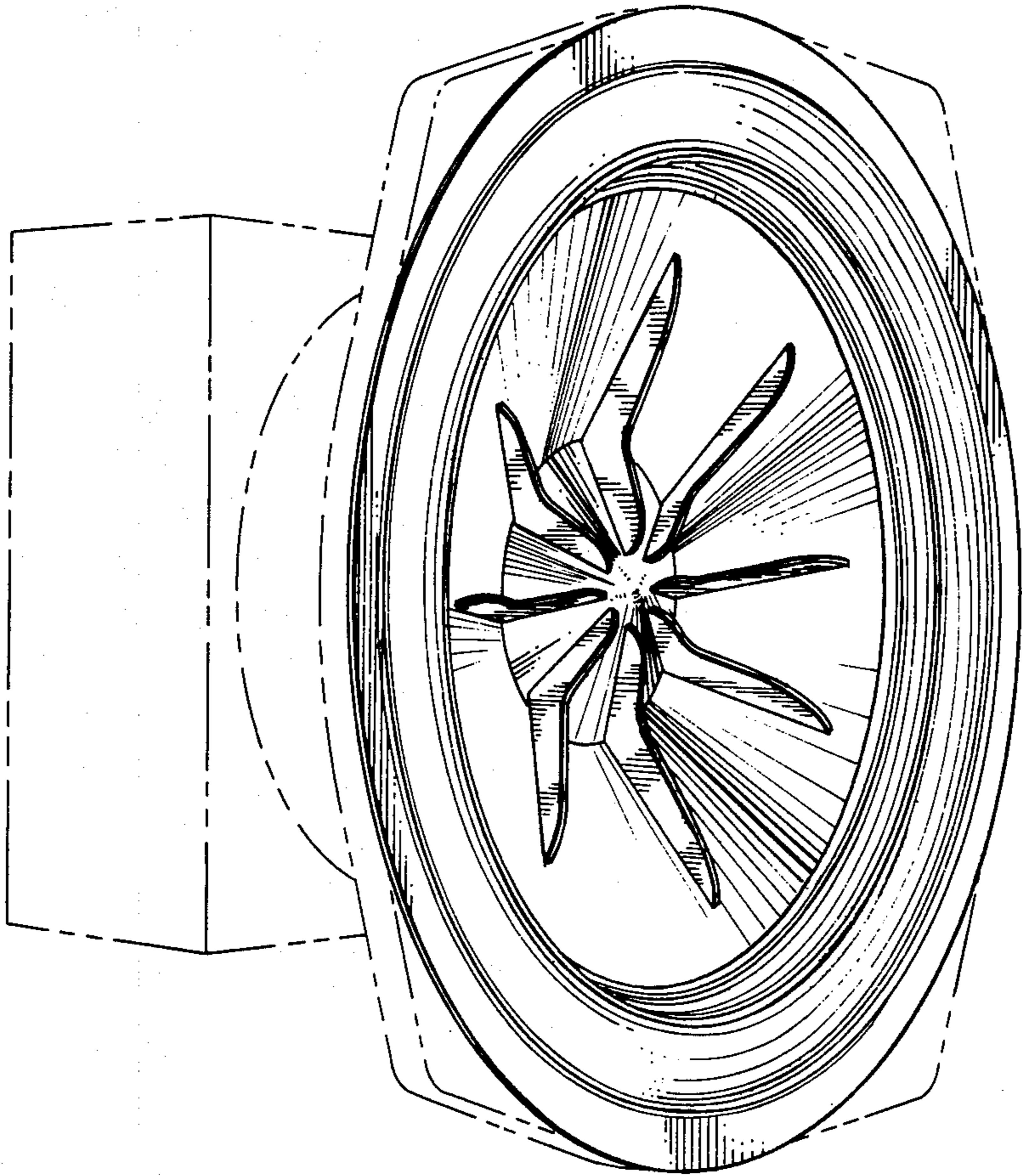


FIG. 1

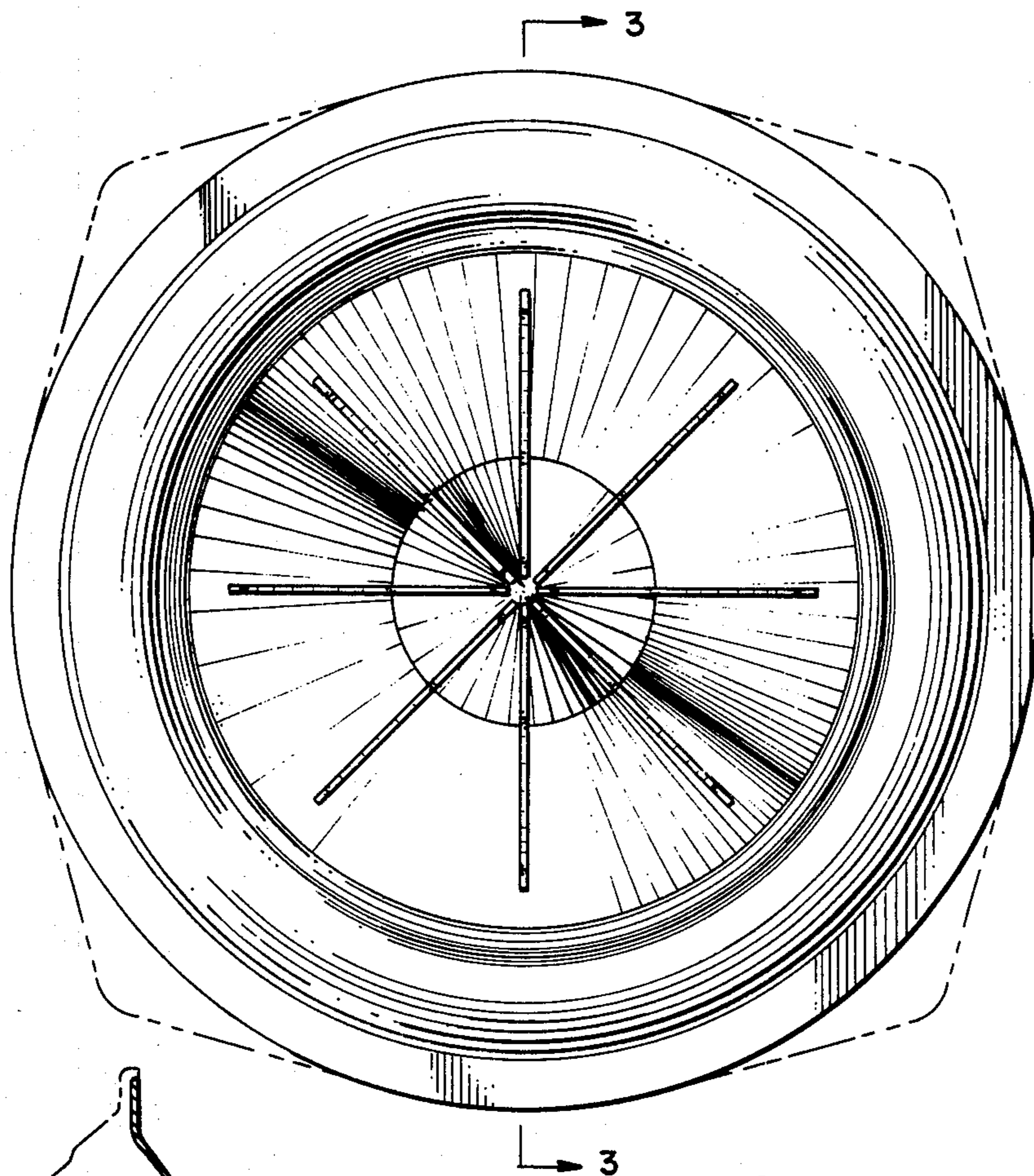


FIG. 2

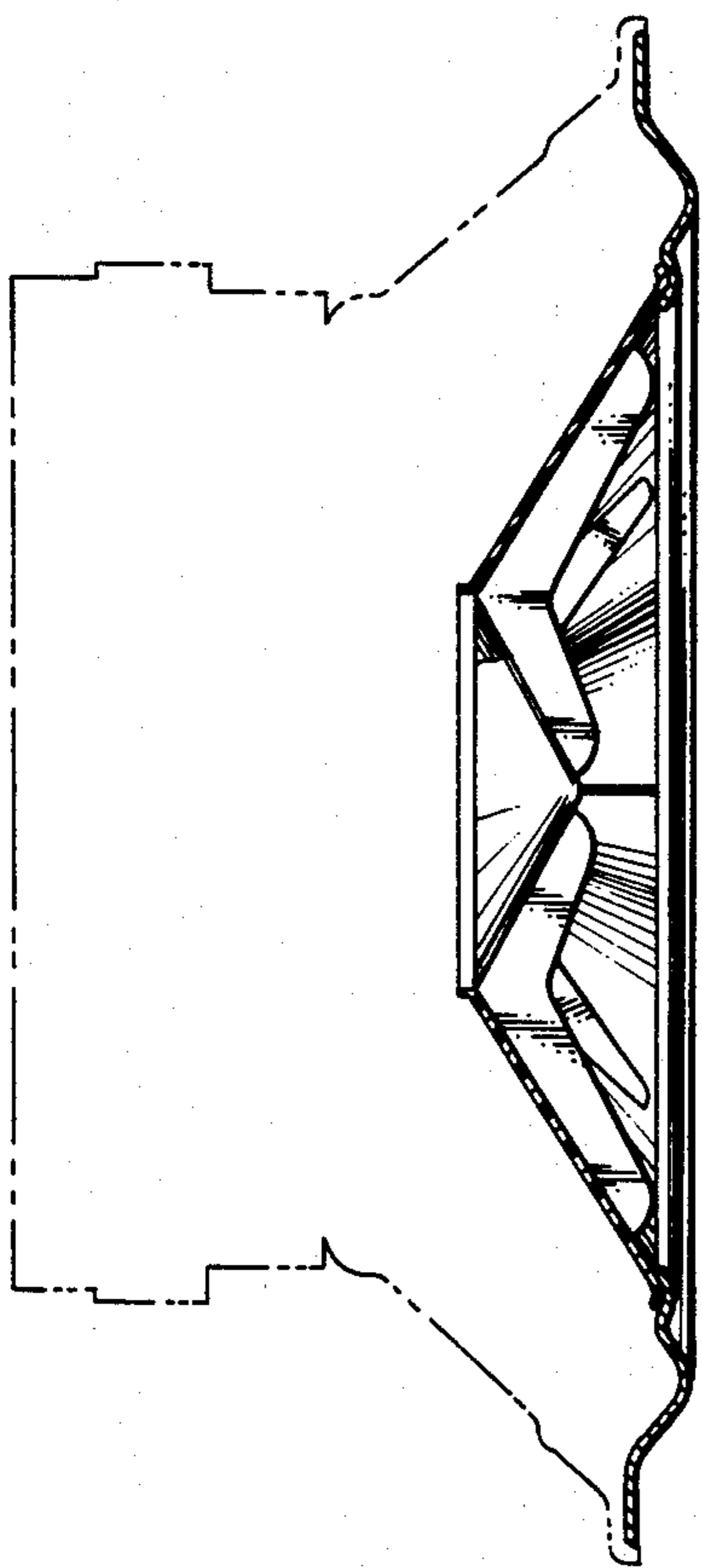


FIG. 3