

[54] **AIR FRESHENER OR SIMILAR ARTICLE**  
 [75] Inventor: **Georg Schimanski**, Hagen, Germany  
 [73] Assignee: **Globol-Werk GmbH**, Neuburg,  
 Donau, Germany  
 [\*\*] Term: **14 Years**  
 [21] Appl. No.: **687,124**  
 [22] Filed: **May 17, 1976**

3,976,246	8/1976	Hauri et al. ....	239/58
D. 157,798	3/1950	Slatkin .....	D23/148
D. 161,918	2/1951	Glowacki .....	D23/148
D. 164,983	10/1951	Crook .....	D23/150
D. 195,734	7/1963	Beaumann .....	D9/216
D. 210,316	2/1968	Wolski .....	D9/216
D. 212,753	11/1968	Tughan .....	D23/150
D. 235,648	7/1975	Anderson .....	D23/150

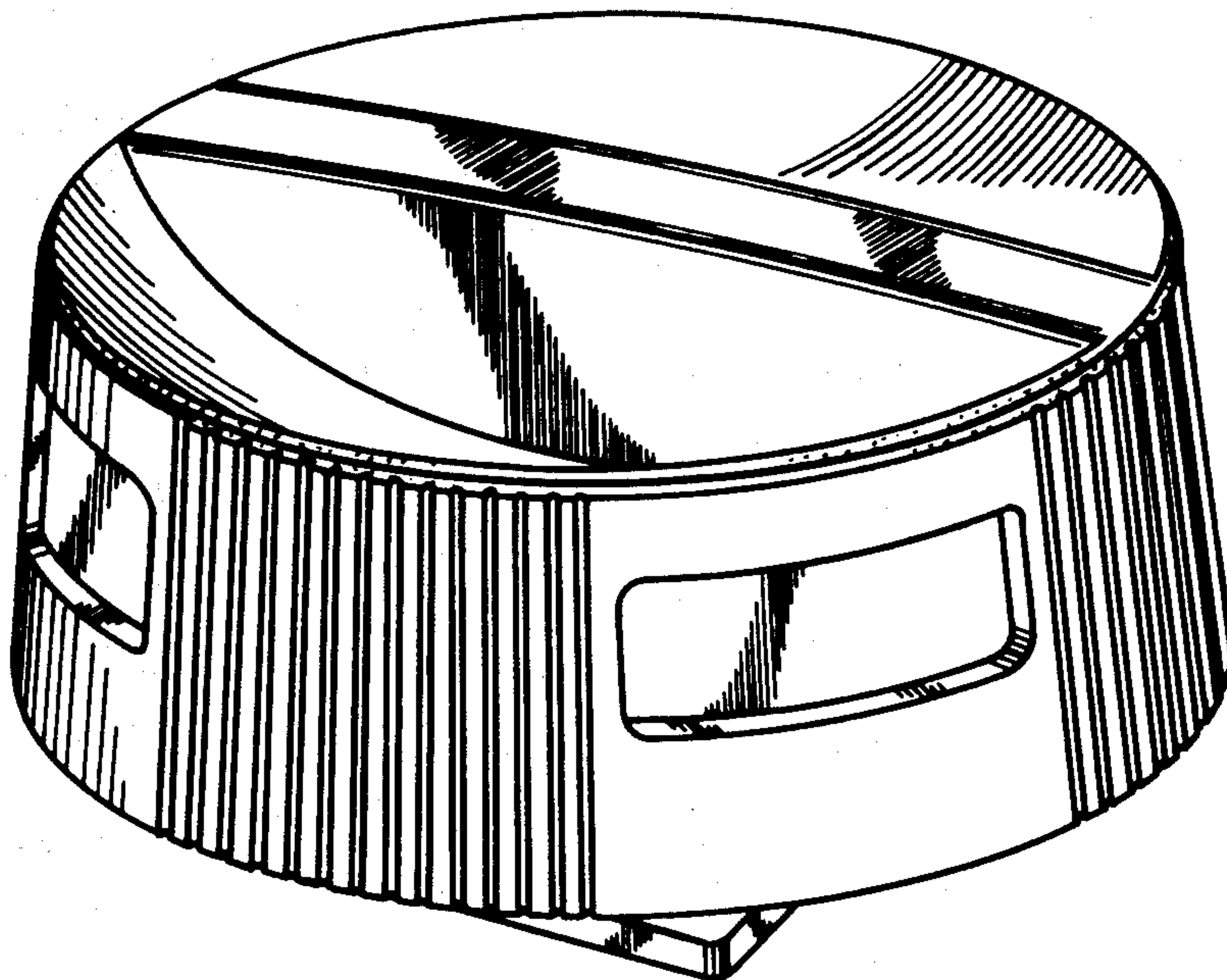
[30] **Foreign Application Priority Data**  
 Feb. 17, 1976 Germany ..... 297  
 [51] **Int. Cl.<sup>2</sup>** ..... **D23-99**  
 [52] **U.S. Cl.** ..... **D23/150**  
 [58] **Field of Search** ..... **D23/148-150;**  
**D9/146, 147, 150, 208, 216-218; 239/34-60**

*Primary Examiner*—James R. Largen  
*Attorney, Agent, or Firm*—Robert R. Priddy

[56] **References Cited**  
**U.S. PATENT DOCUMENTS**  
 2,657,090 10/1953 Meek ..... 239/55  
 2,913,140 11/1959 Vuilleminot ..... 220/306  
 3,134,544 5/1964 Copley ..... 239/55

[57] **CLAIM**  
 The ornamental design for an air freshener or similar article, as shown.

**DESCRIPTION**  
 FIG. 1 is a front perspective view of an air freshener or similar article showing my new design;  
 FIG. 2 is a front elevational view thereof showing the air freshener in its open position;  
 FIG. 3 is a rear perspective view of FIG. 1;  
 FIG. 4 is a top plan view thereof;  
 FIG. 5 is a bottom plan view thereof; and  
 FIG. 6 is a side elevational view of FIG. 1.



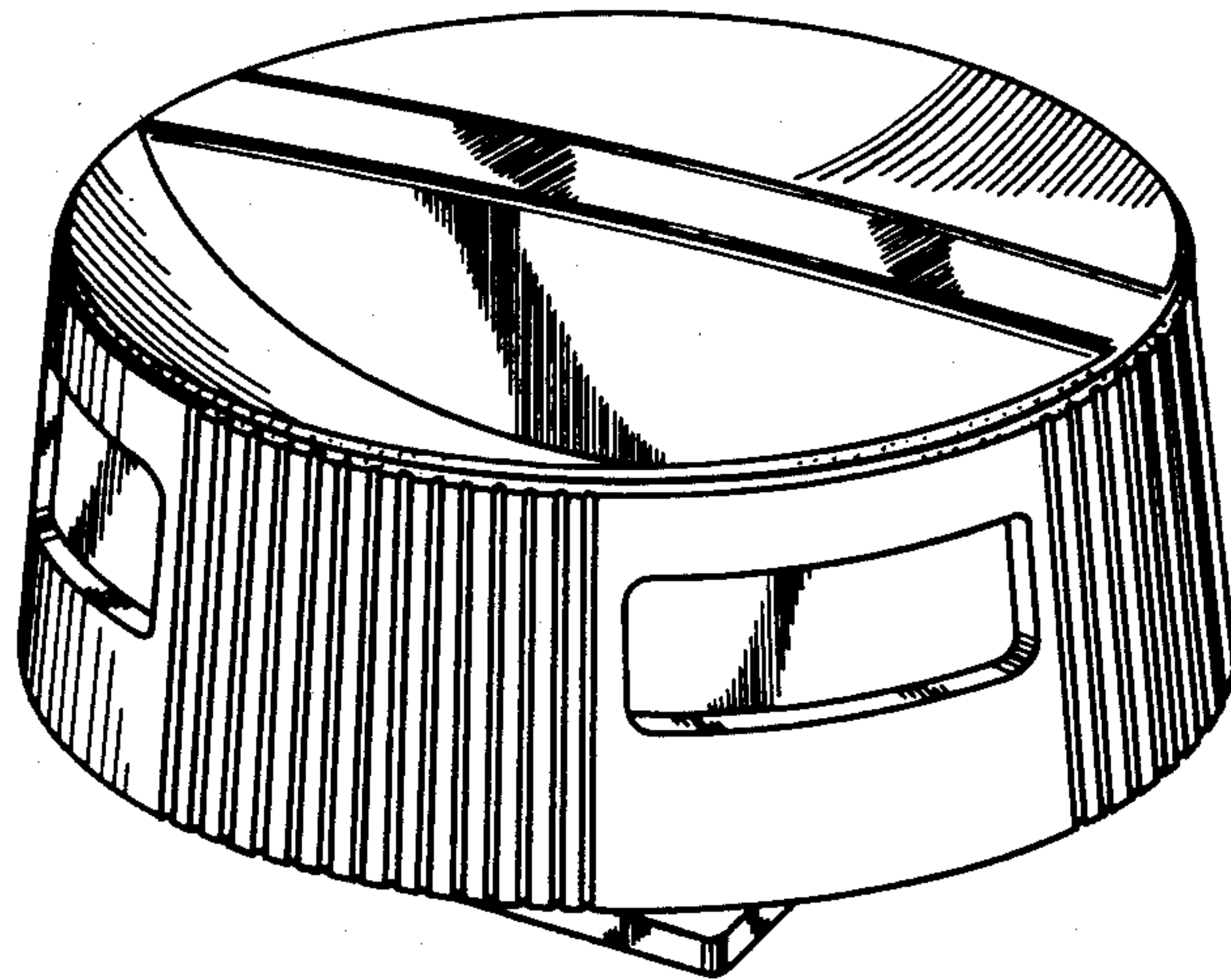


Fig. 1

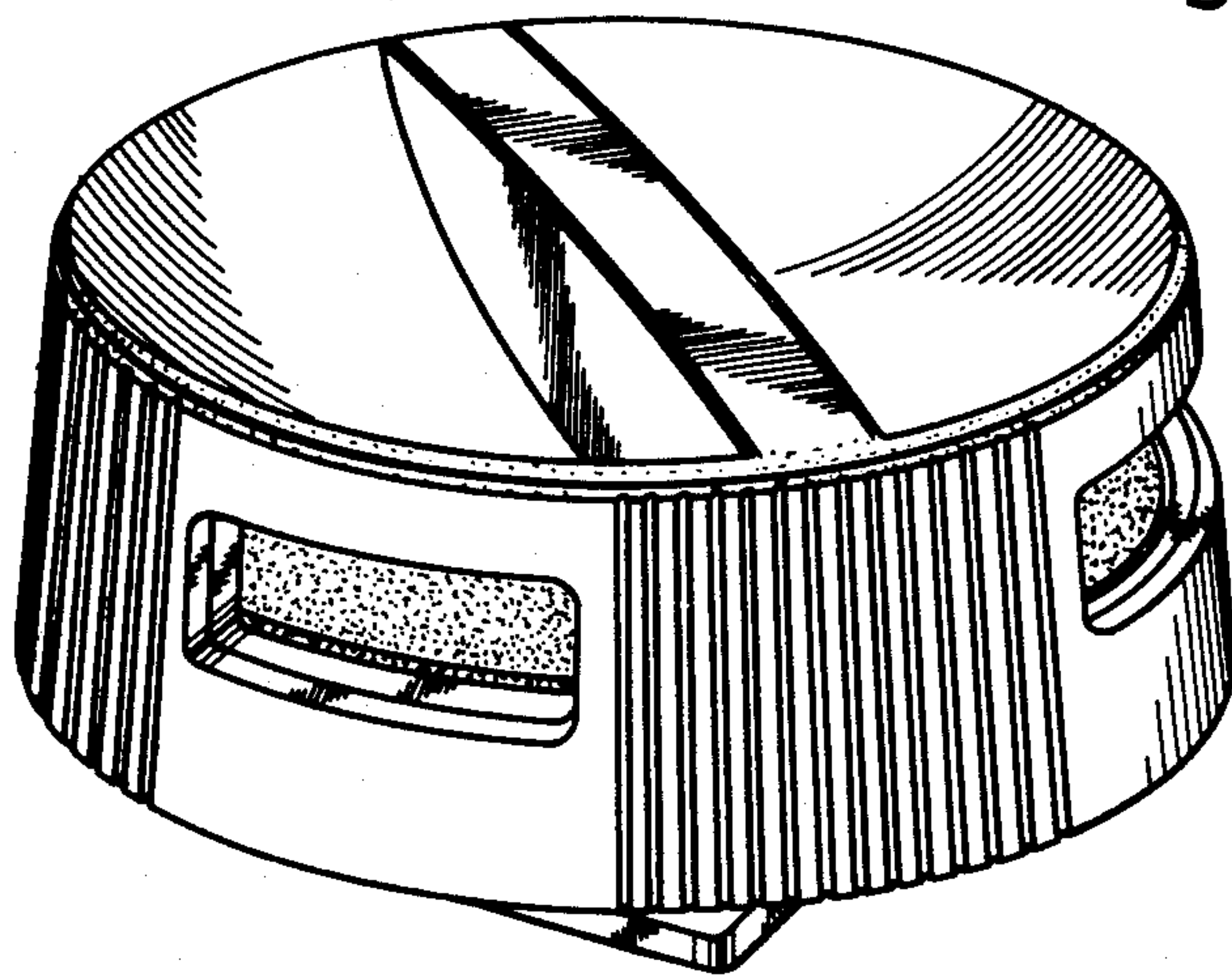
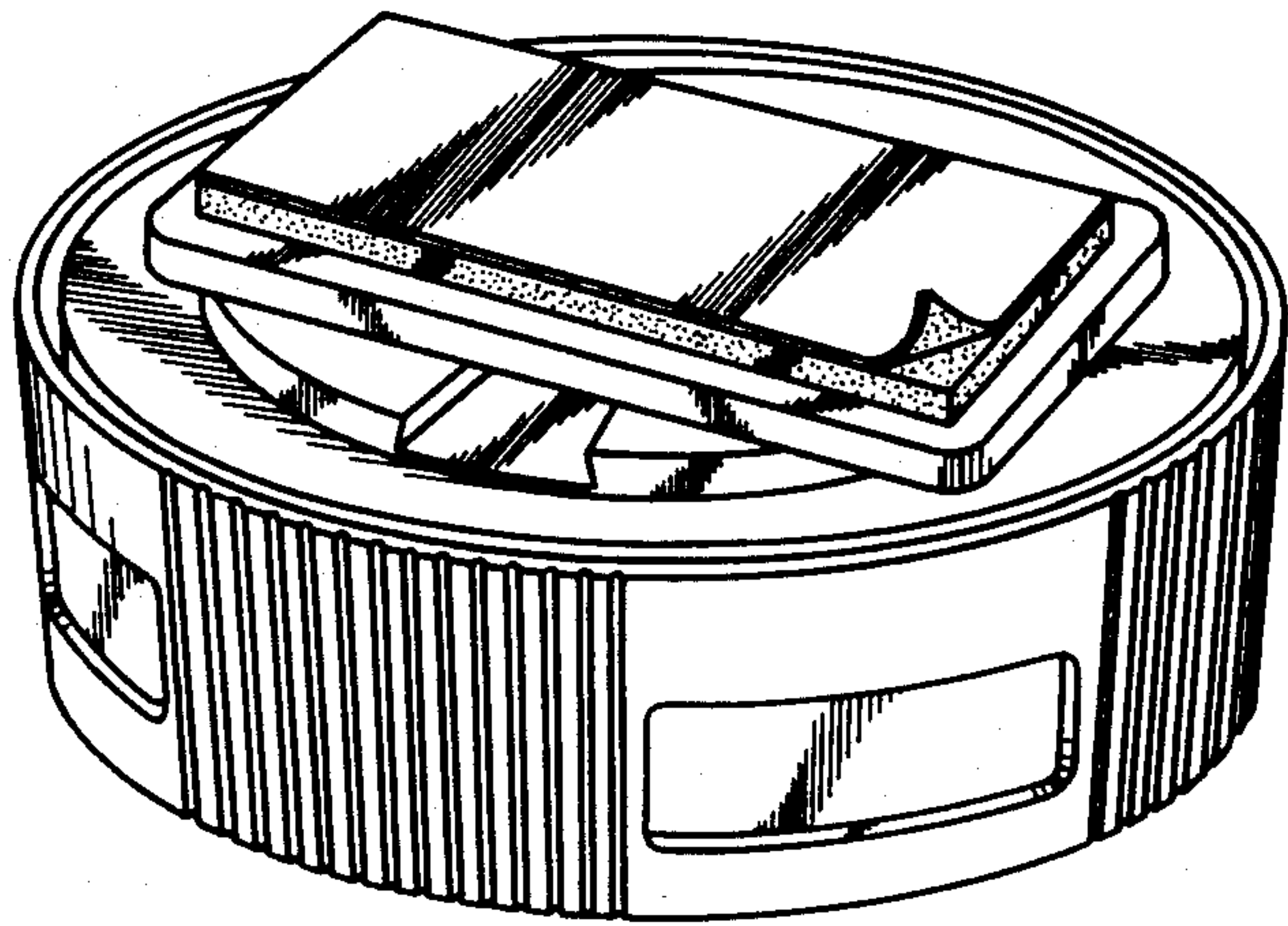


Fig. 2

Fig. 3



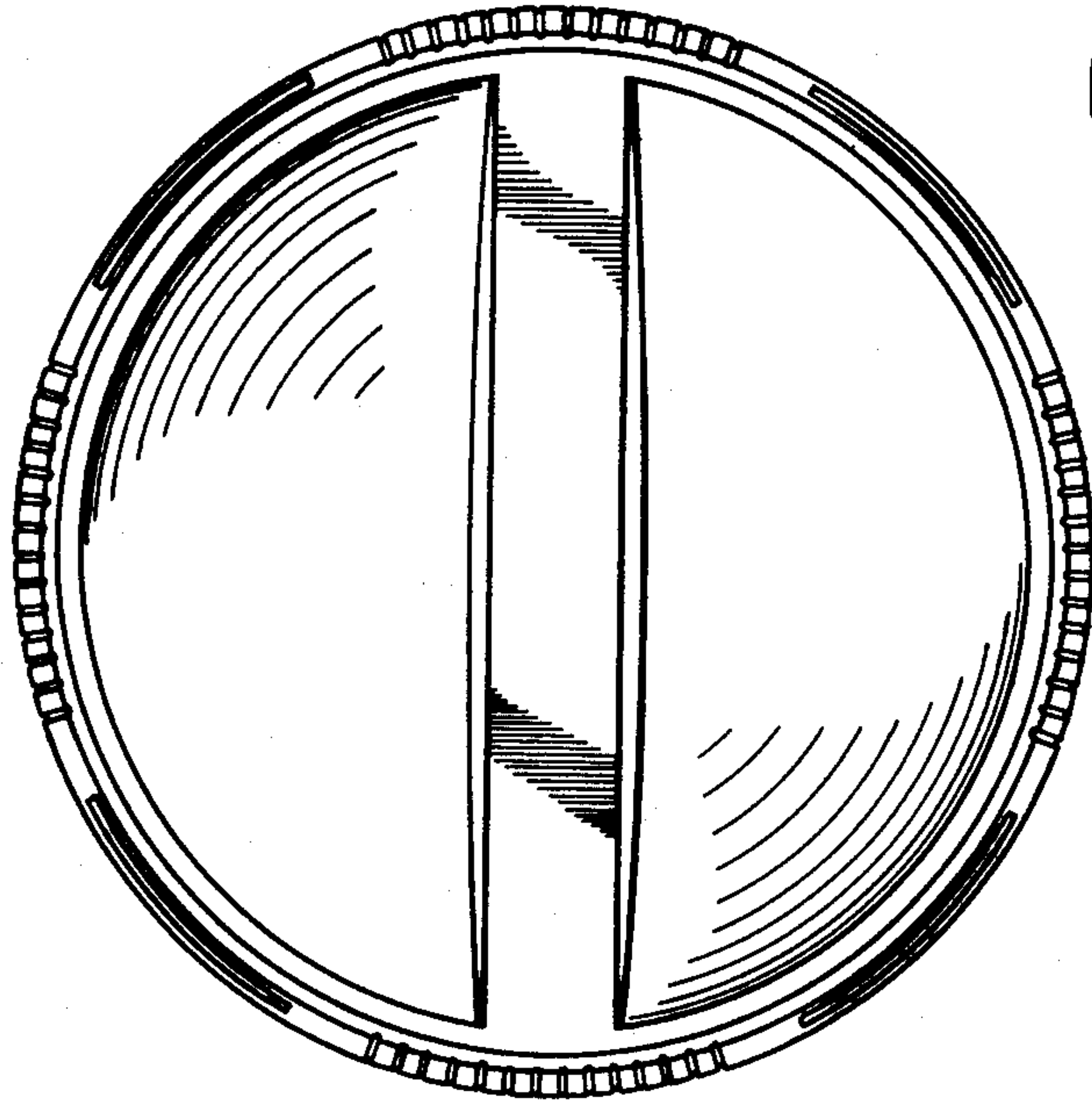


Fig. 4

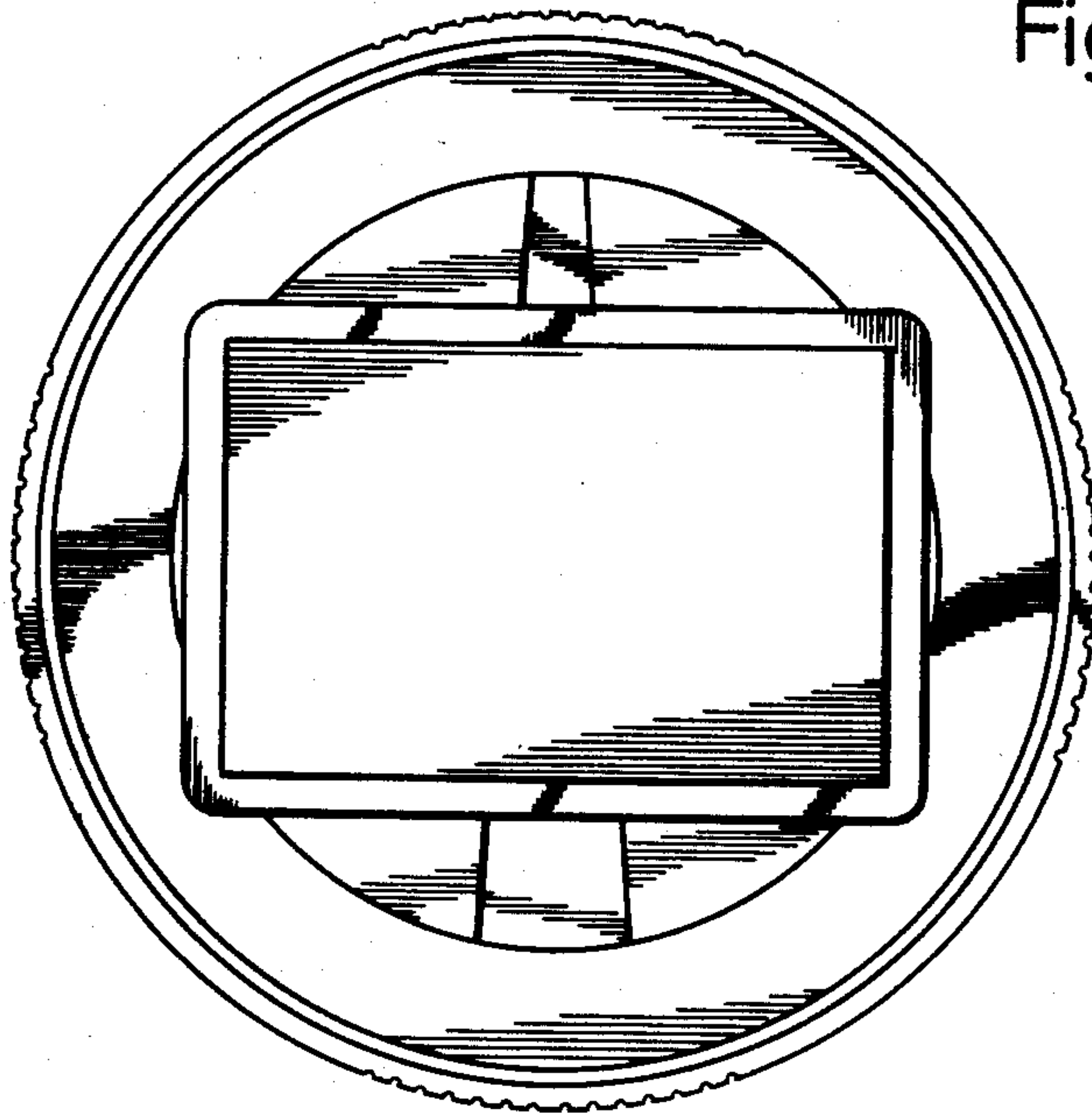


Fig. 5

Fig. 6

