

- [54] **PHOTOGRAPHIC CAMERA OR SIMILAR ARTICLE**
- [75] Inventors: **David E. Hansen**, Fairport, N.Y.;
Wolfgang Ort, Daiberweg, Germany
- [73] Assignee: **Eastman Kodak Company**,
Rochester, N.Y.
- [**] Term: **14 Years**
- [21] Appl. No.: **669,437**
- [22] Filed: **Mar. 22, 1976**
- [51] Int. Cl. **D16-01**
- [52] U.S. Cl. **D16/5**
- [58] Field of Search **D16/1-10;**
354/288, 83-93, 187-194, 152-156

Primary Examiner—Wallace R. Burke
Assistant Examiner—Catherine Kemper
Attorney, Agent, or Firm—Robert W. Hampton

[57] **CLAIM**

The ornamental design for a photographic camera or similar article, as shown and described.

DESCRIPTION

FIG. 1 is a front perspective view of a photographic camera or similar article, showing our new design, when fully folded;

FIG. 2 is a front elevational view thereof;

FIG. 3 is a rear elevational view thereof;

FIG. 4 is a right side elevational view thereof;

FIG. 5 is a left side elevational view thereof;

FIG. 6 is a top plan view thereof;

FIG. 7 is a bottom plan view thereof;

FIG. 8 is a front perspective view of the photographic camera or similar article when fully unfolded;

FIG. 9 is a front elevational view thereof;

FIG. 10 is a rear elevational view thereof;

FIG. 11 is a right side elevational view thereof;

FIG. 12 is a left side elevational view thereof;

FIG. 13 is a top plan view thereof; and

FIG. 14 is a bottom plan view thereof.

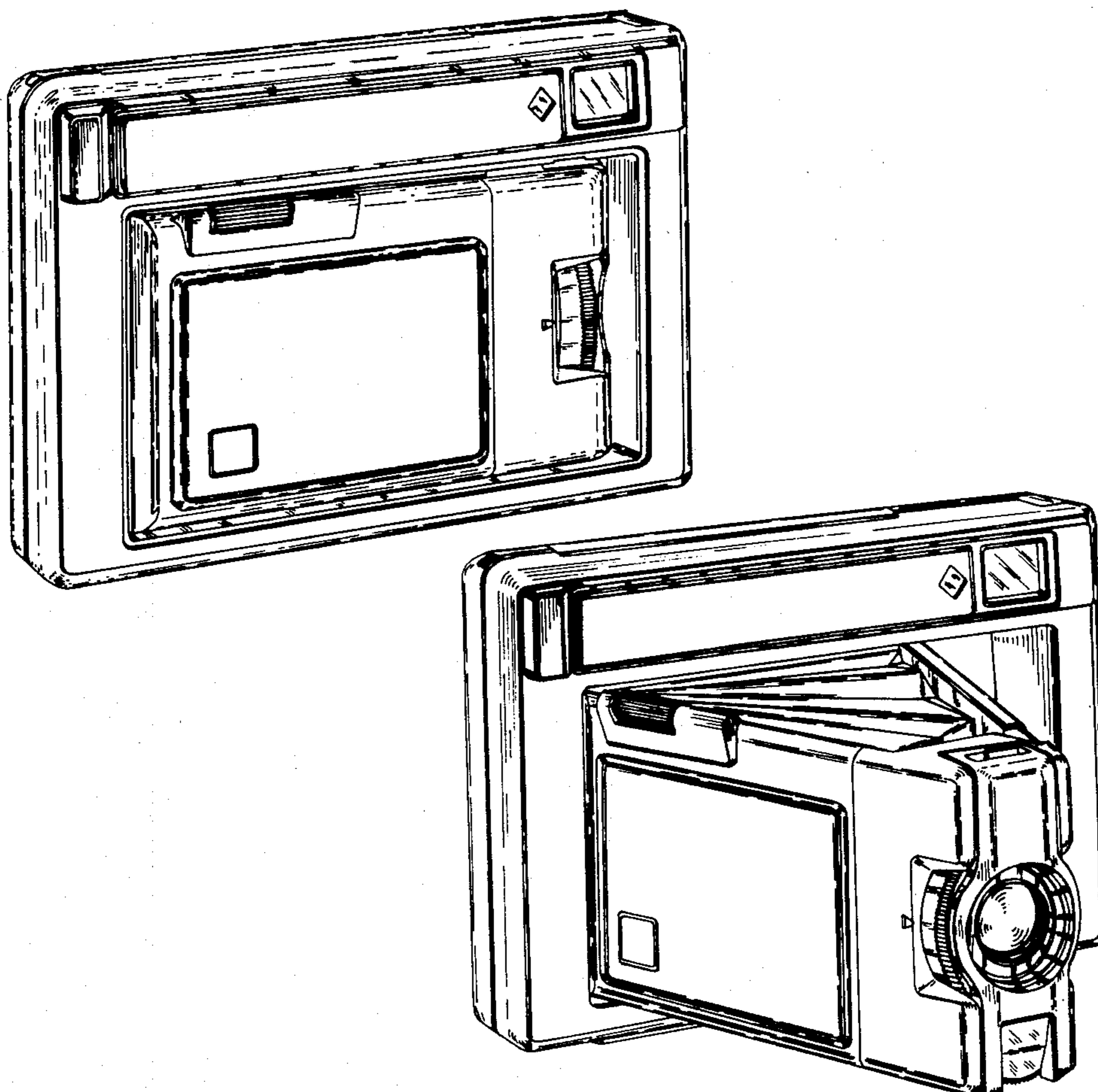
[56] **References Cited**

U.S. PATENT DOCUMENTS

3,693,526	9/1972	Harvey	354/187
3,836,933	9/1974	Hochreiter	354/187
3,906,521	9/1975	Ueda	354/187 X

OTHER PUBLICATIONS

Eastman Kodak Research Disclosure, Jan. 1975, No. 129, item 12941, pp. 31-33, items 5-7.



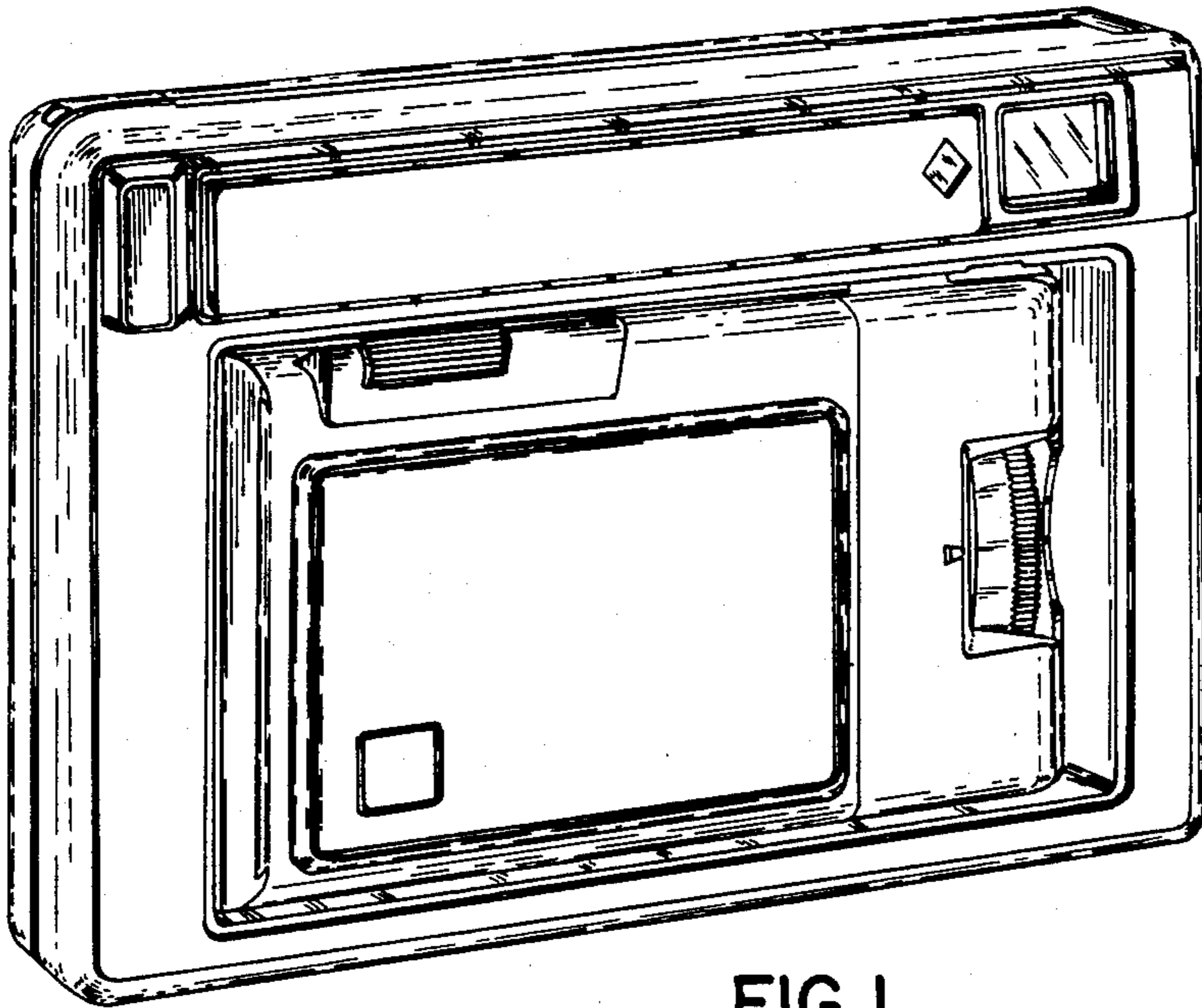


FIG. 1

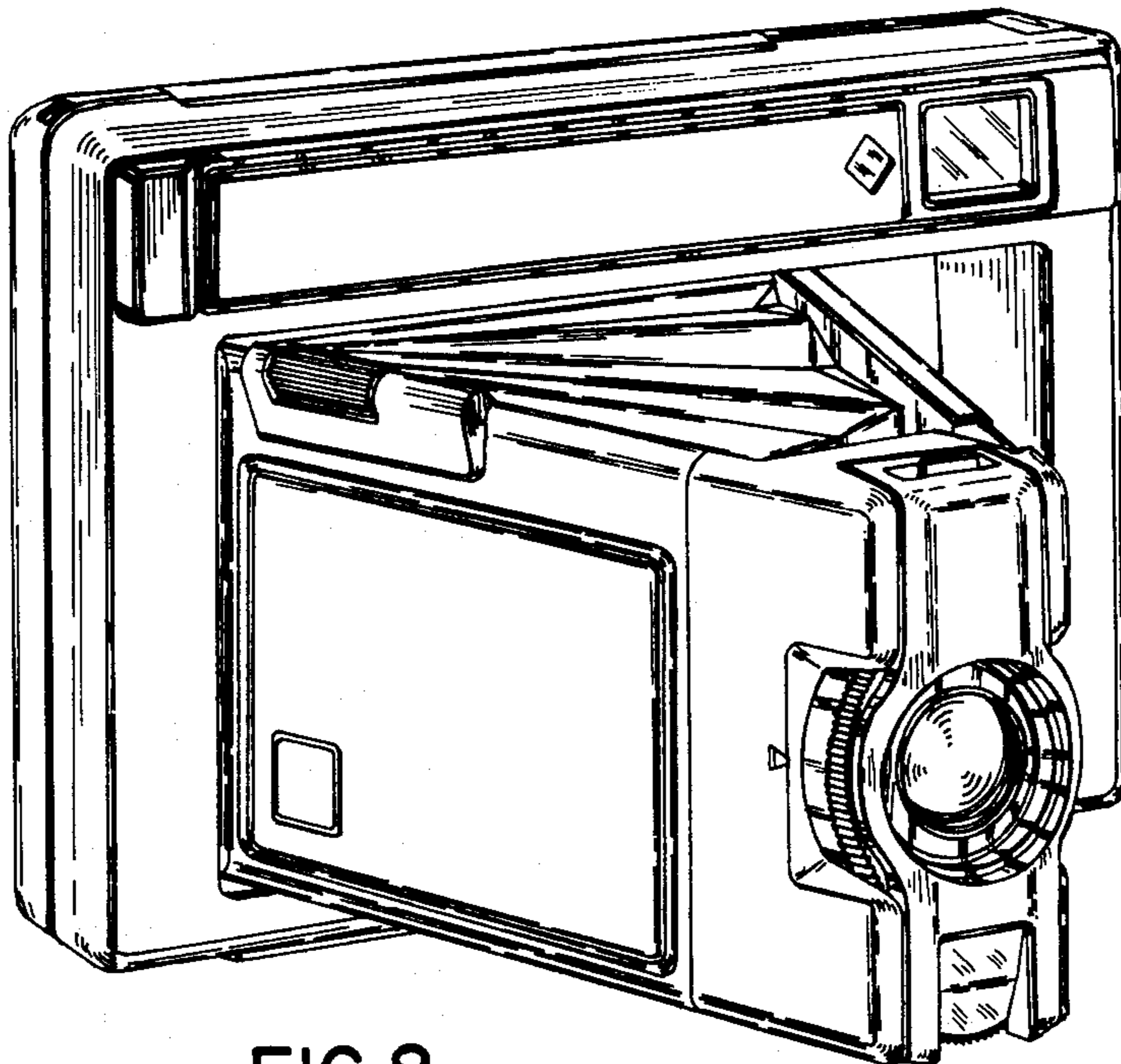


FIG. 8

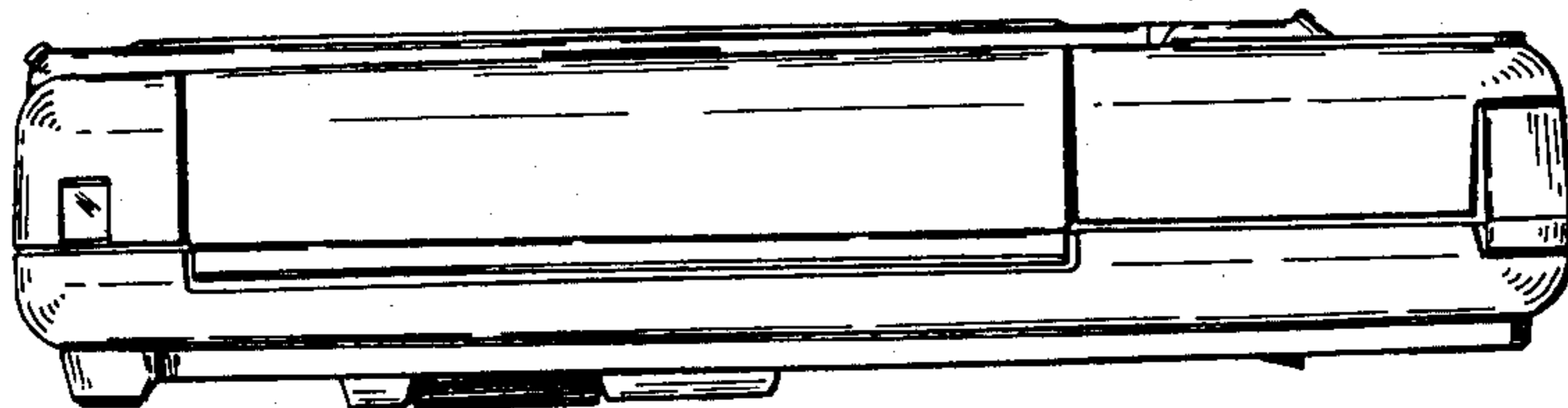


FIG. 6

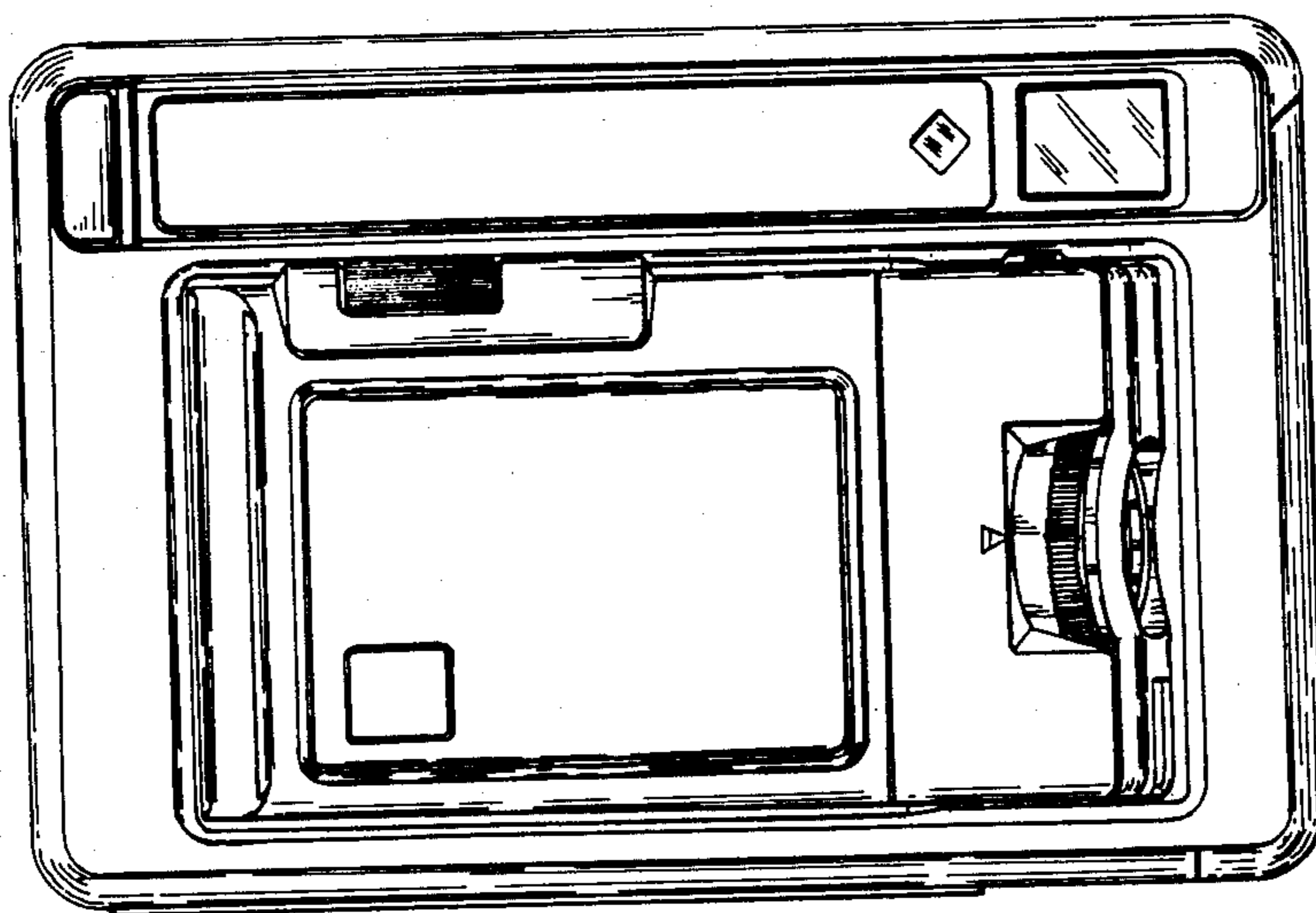


FIG. 2

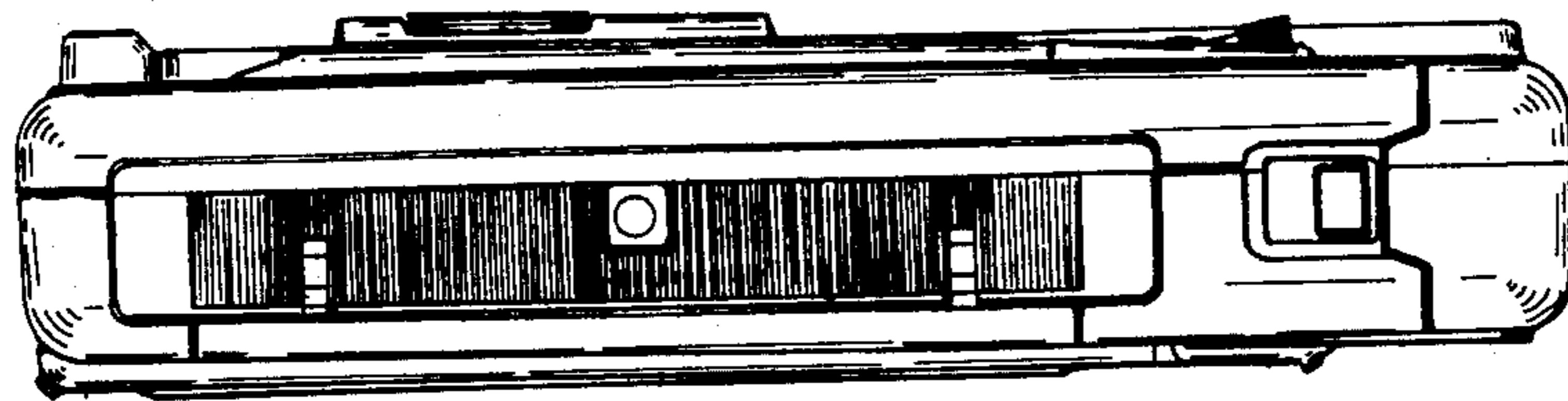


FIG. 7

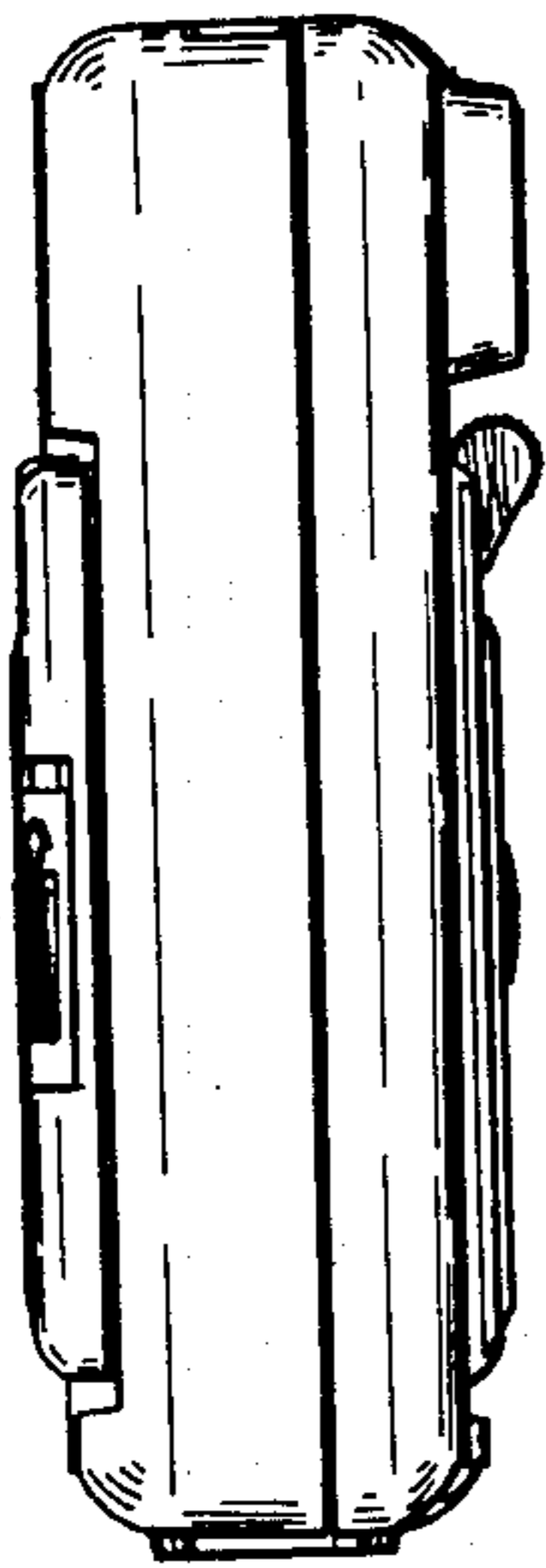


FIG. 4

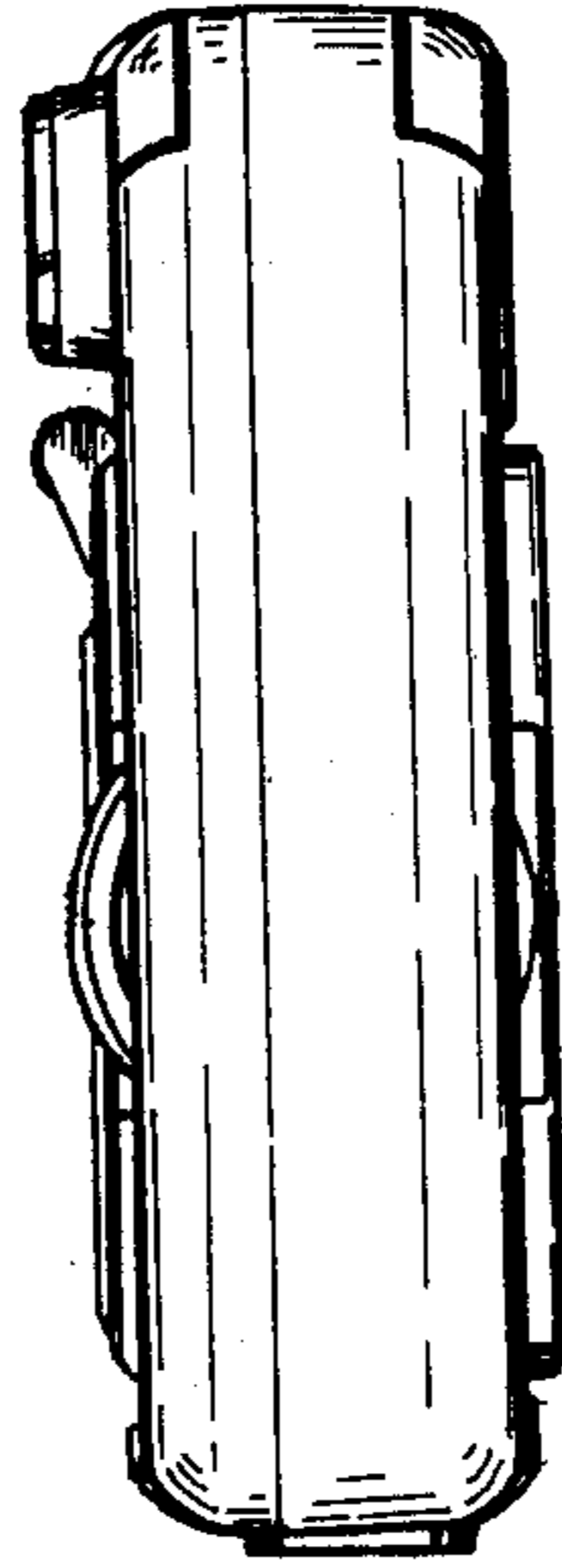


FIG. 5

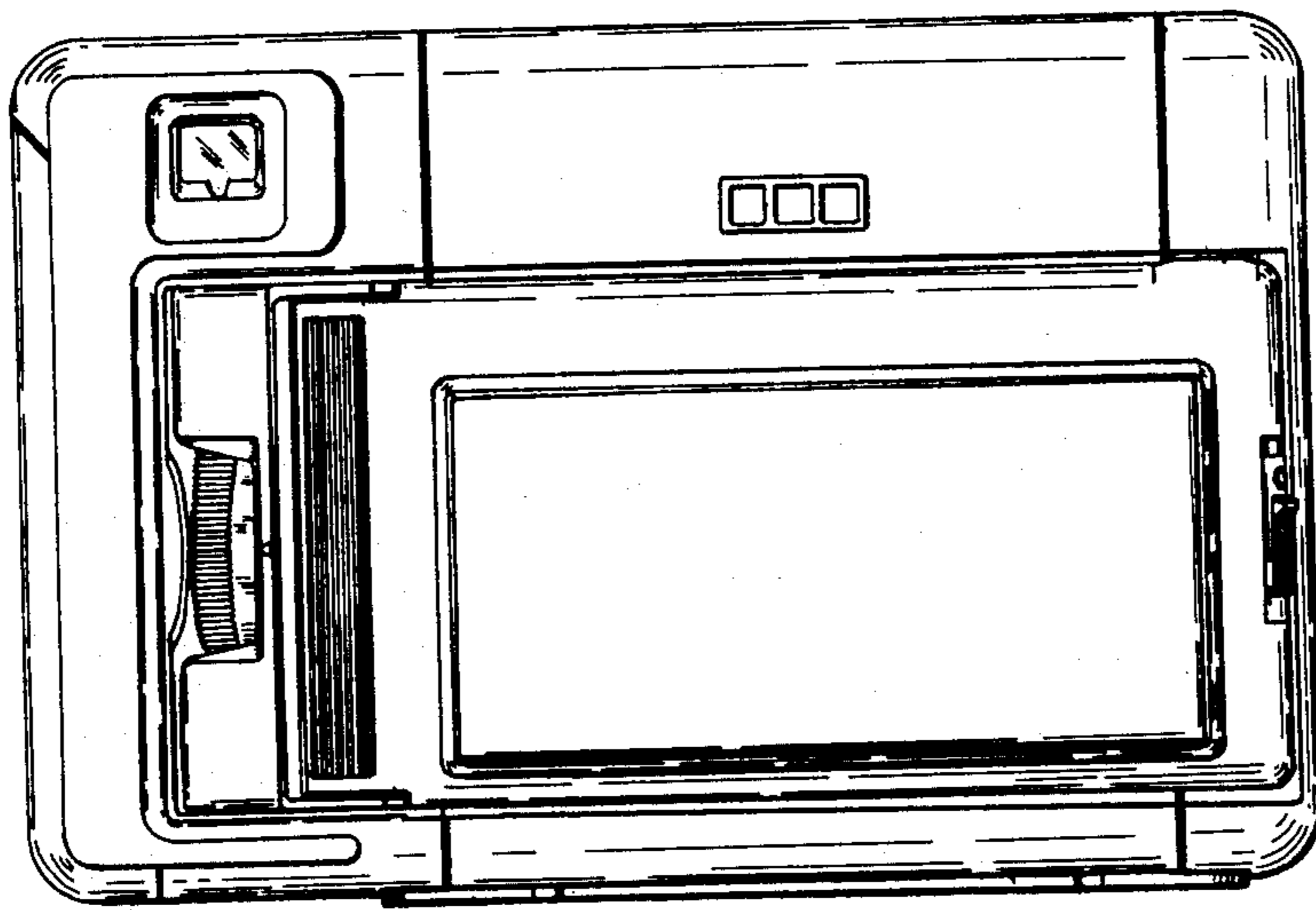


FIG. 3

FIG. 9

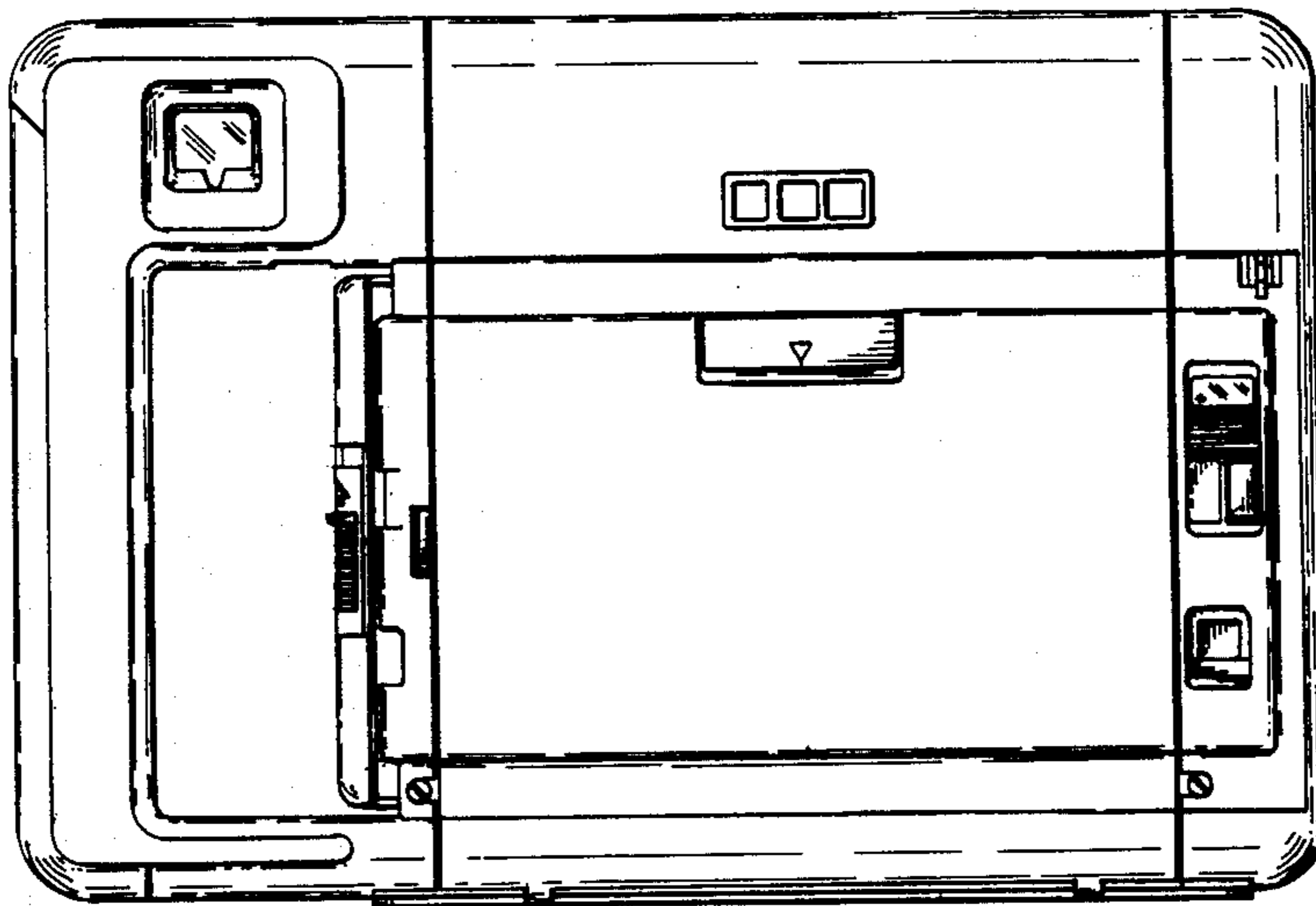
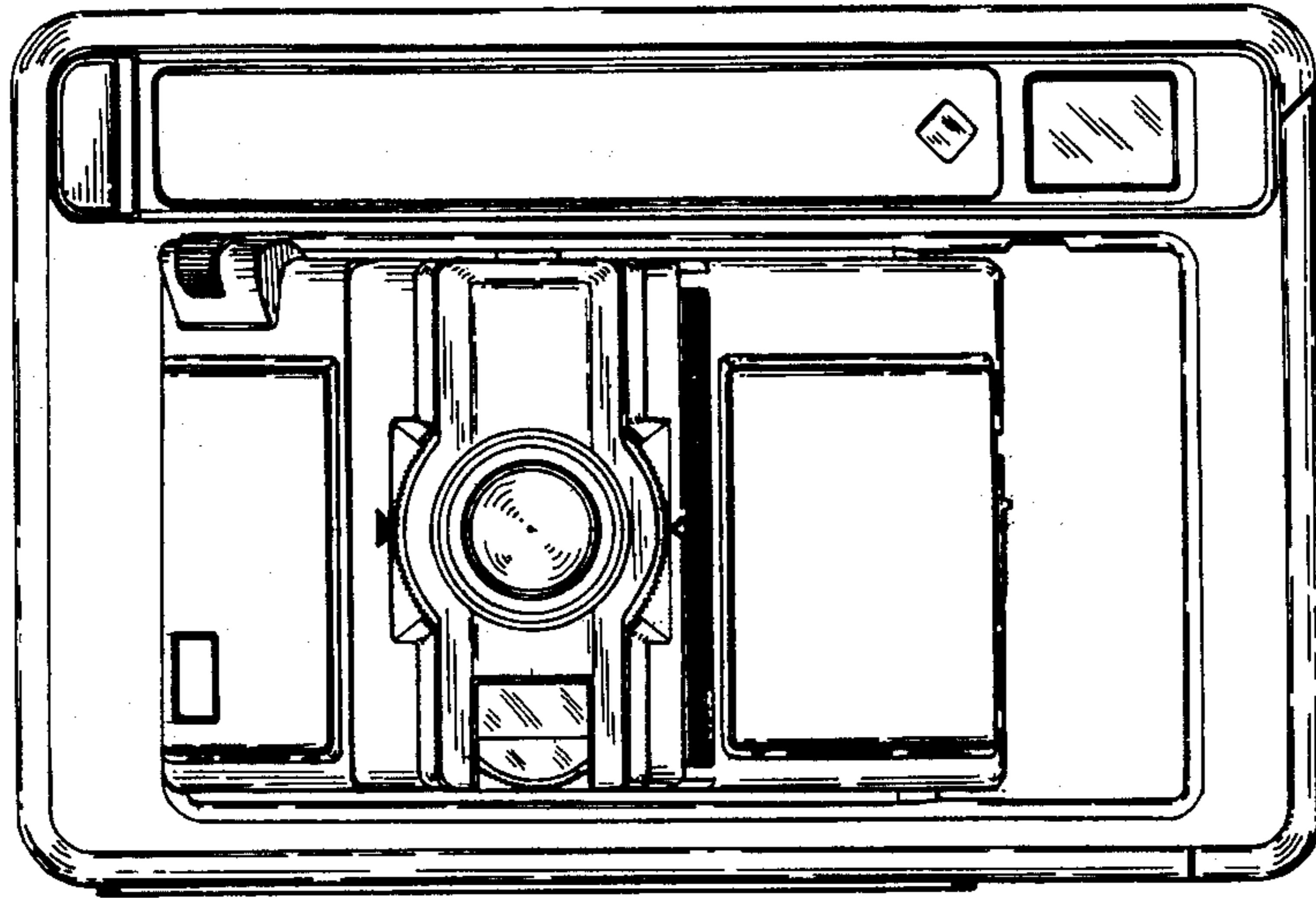


FIG. 10

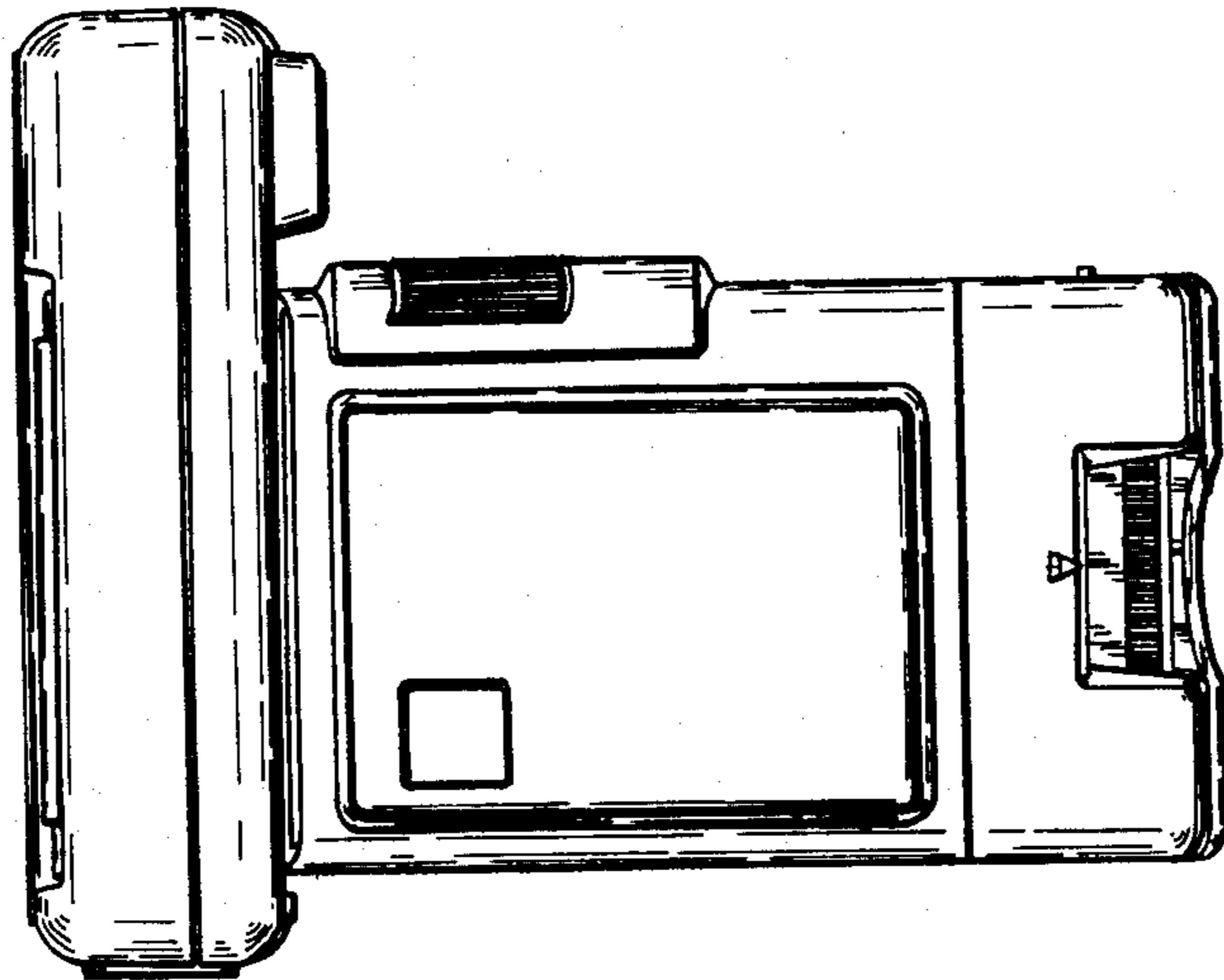


FIG. 11

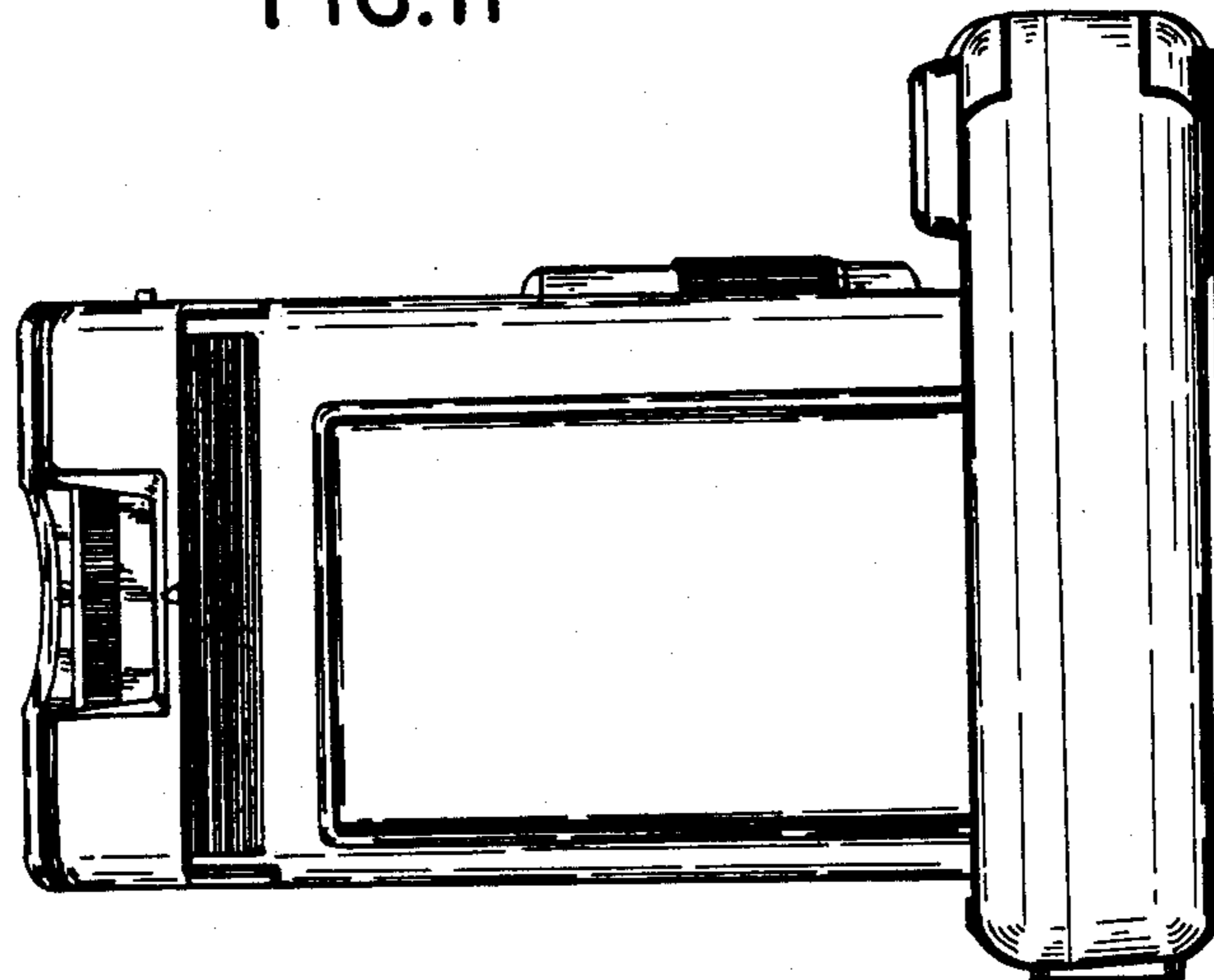


FIG. 12

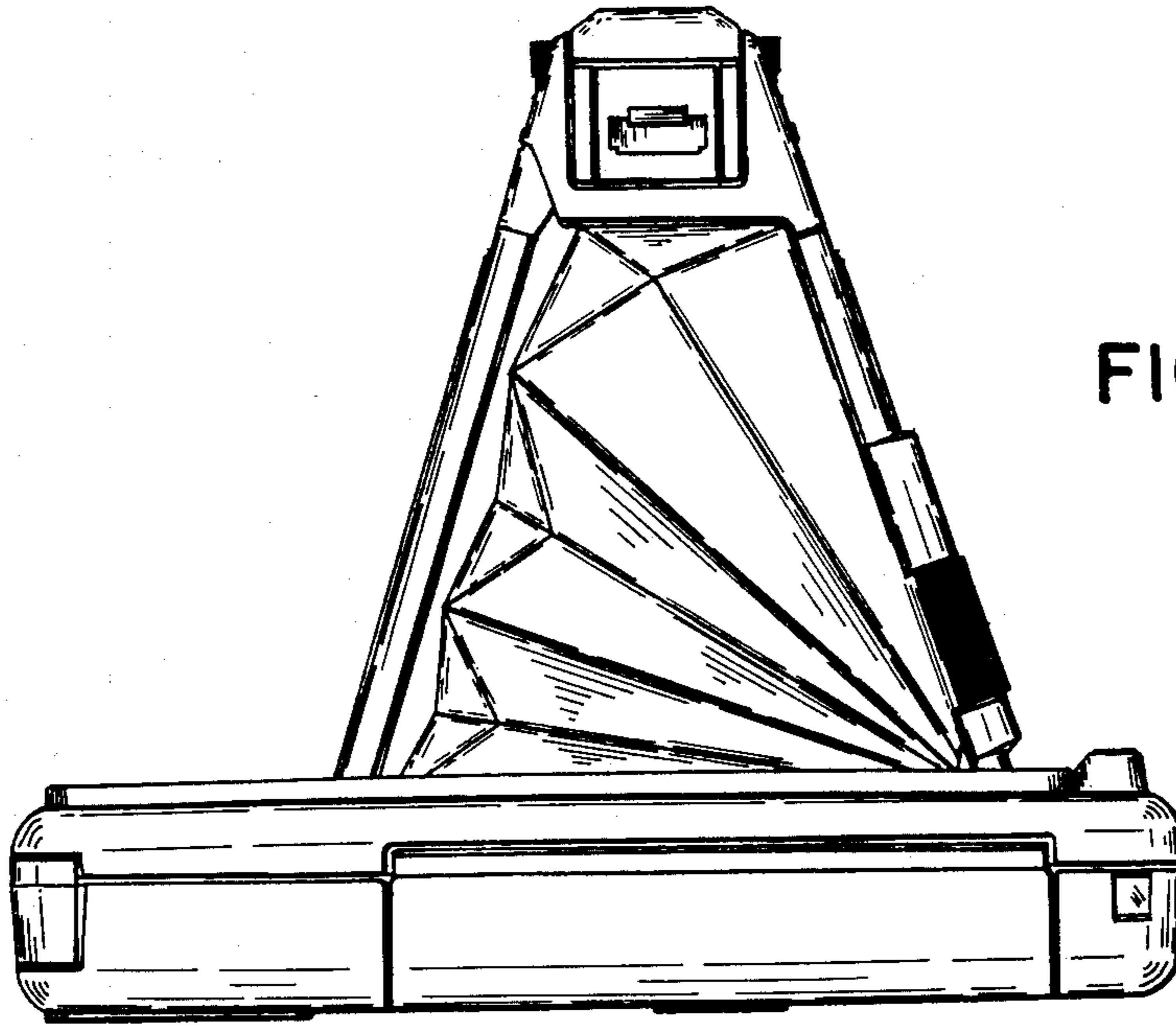


FIG. 13

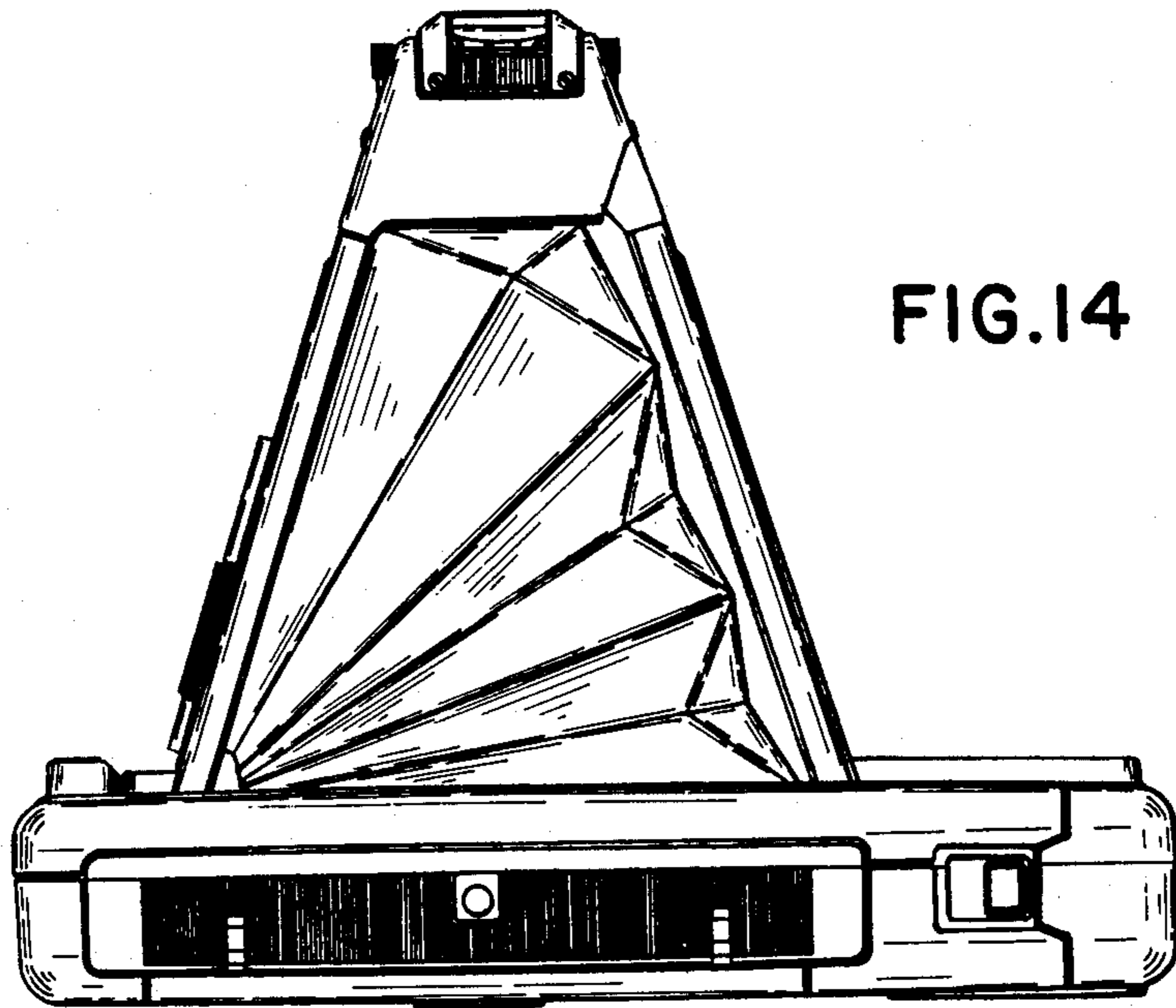


FIG. 14