

[54] FLUID PUMP OR SIMILAR ARTICLE

[75] Inventor: Robert R. Bell, Houston, Tex.

[73] Assignee: Vapor Corporation, Chicago, Ill.

[\*\*] Term: 3.5 Years

[21] Appl. No.: 604,597

[22] Filed: Aug. 14, 1975

[51] Int. Cl. .... D15-02

[52] U.S. Cl. .... D15/7

[58] Field of Search ..... D65/1 R, 1 A;  
417/398-404; D15/7, 8, 9

[56] References Cited

U.S. PATENT DOCUMENTS

2,478,116 8/1949 Mariotte ..... 417/404

3,327,635 6/1967 Sachnik ..... 417/399  
3,665,808 5/1972 Vestal ..... 417/399

Primary Examiner—James R. Largen  
Attorney, Agent, or Firm—Francis J. Lidd

[57] CLAIM

The ornamental design for fluid pump or similar article, substantially as known.

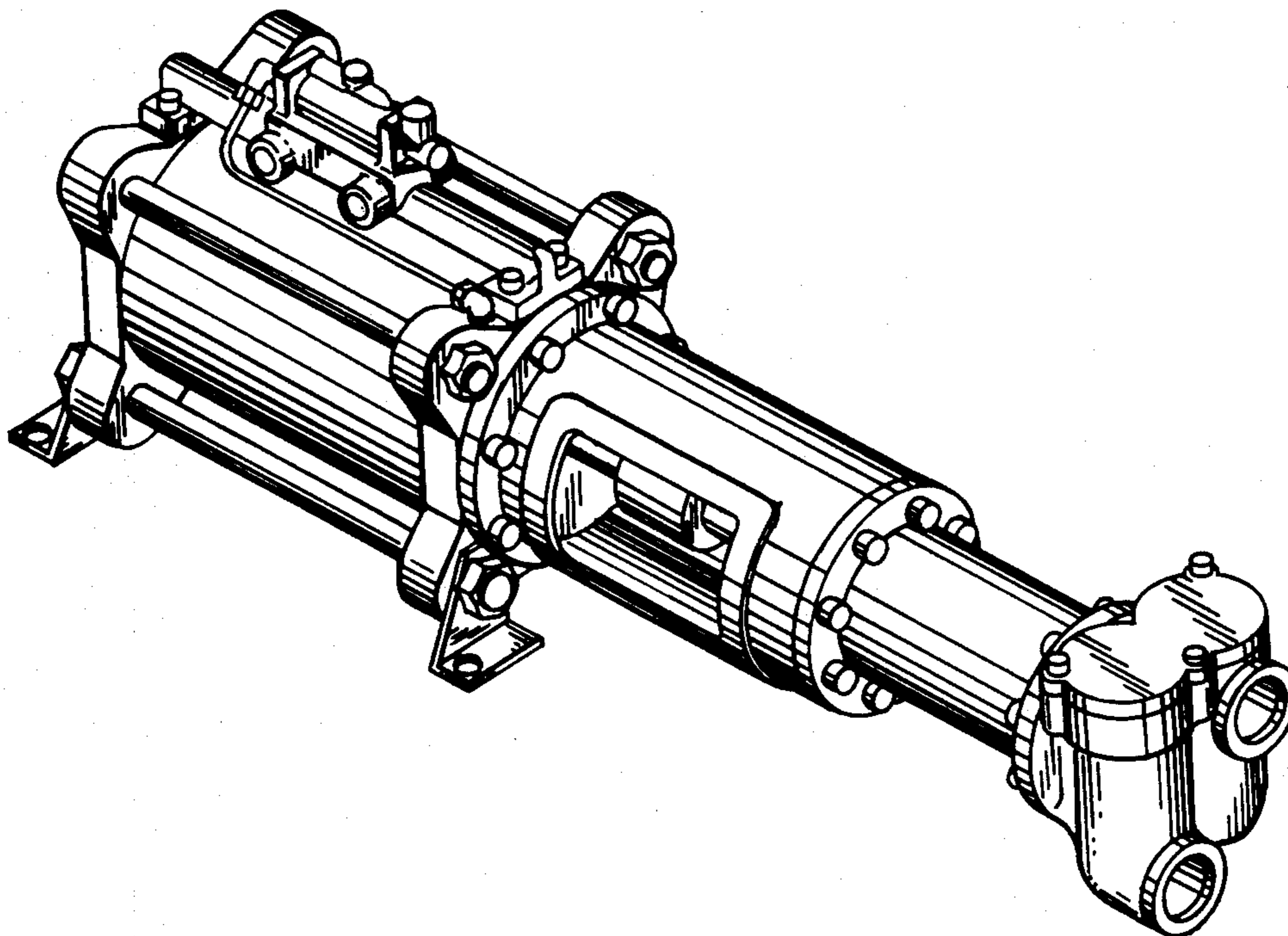
DESCRIPTION

FIG. 1 is a perspective view of a fluid pump or similar article showing my new design.

FIG. 2 is an elevational view taken from the end shown in FIG. 1.

FIG. 3 is an elevational view taken from the side opposite than that shown in FIG. 1.

FIG. 4 is an elevational view taken from the end opposite than that shown in FIG. 2.



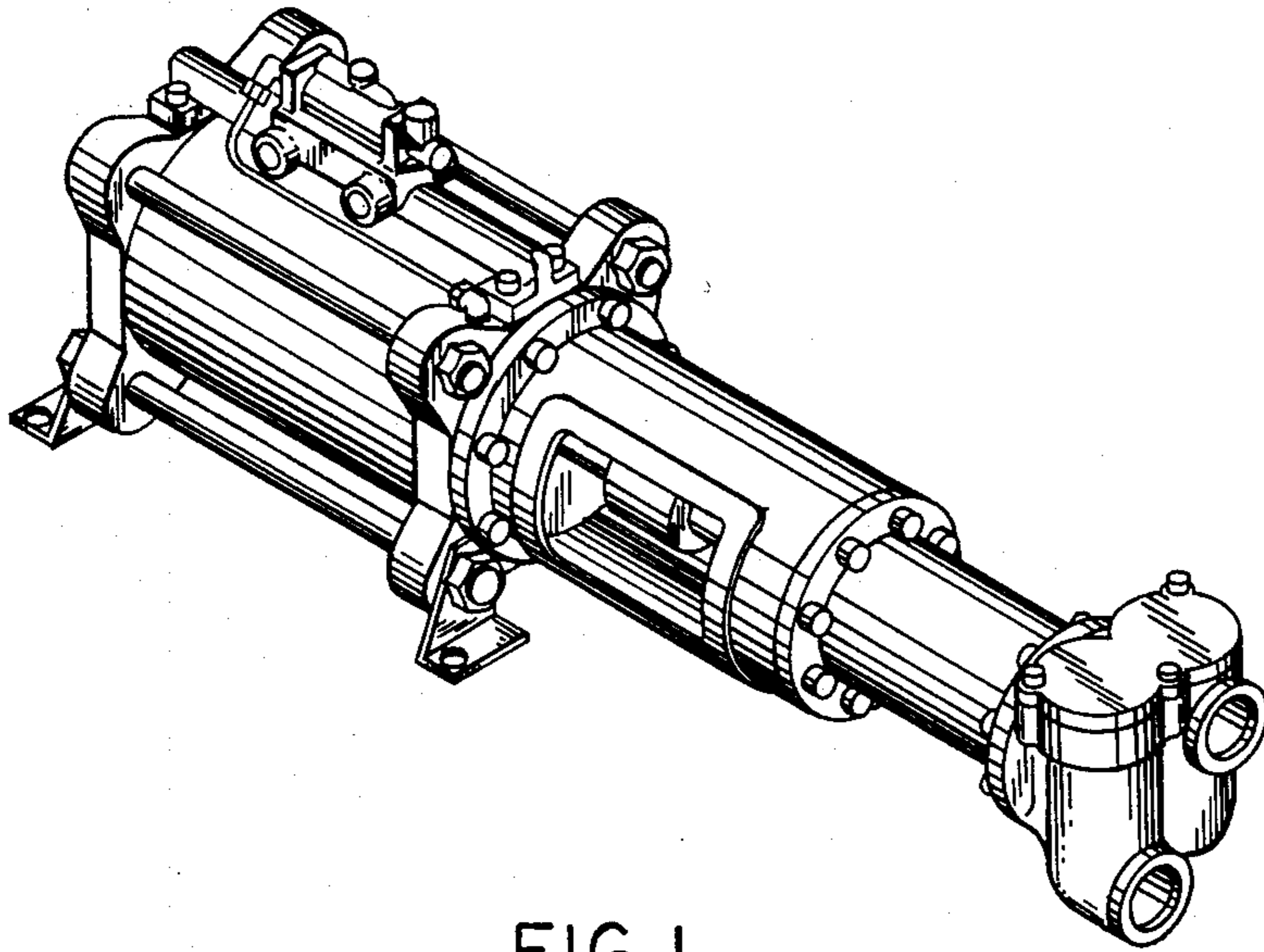


FIG. 1

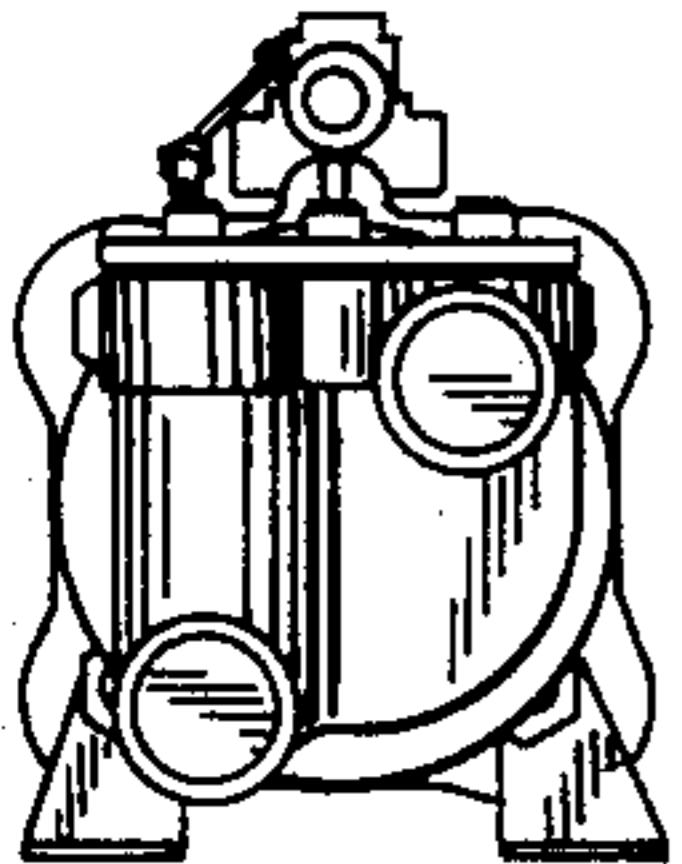


FIG. 2

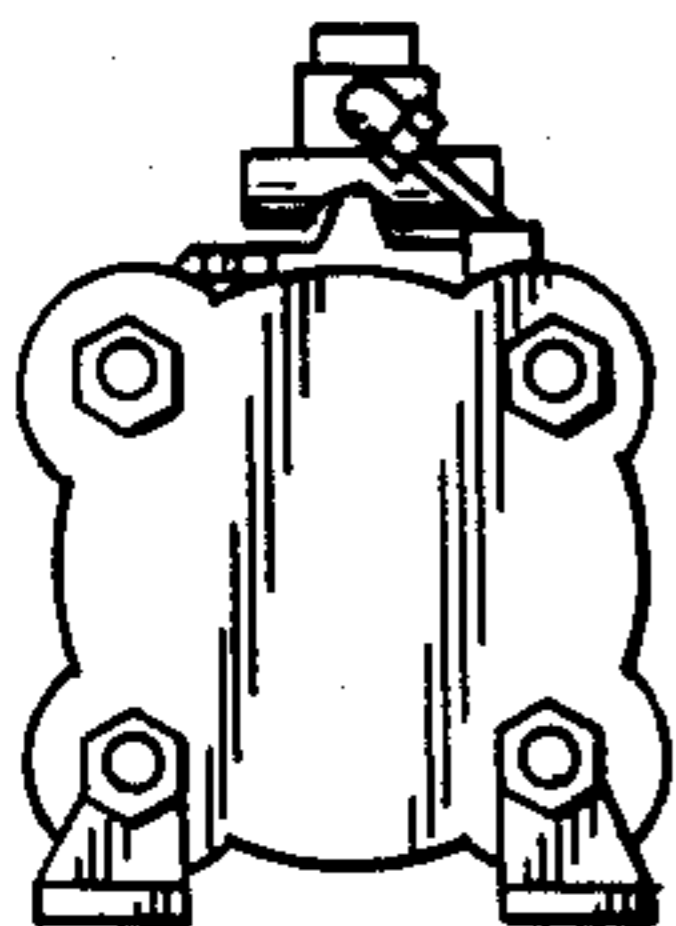


FIG. 4

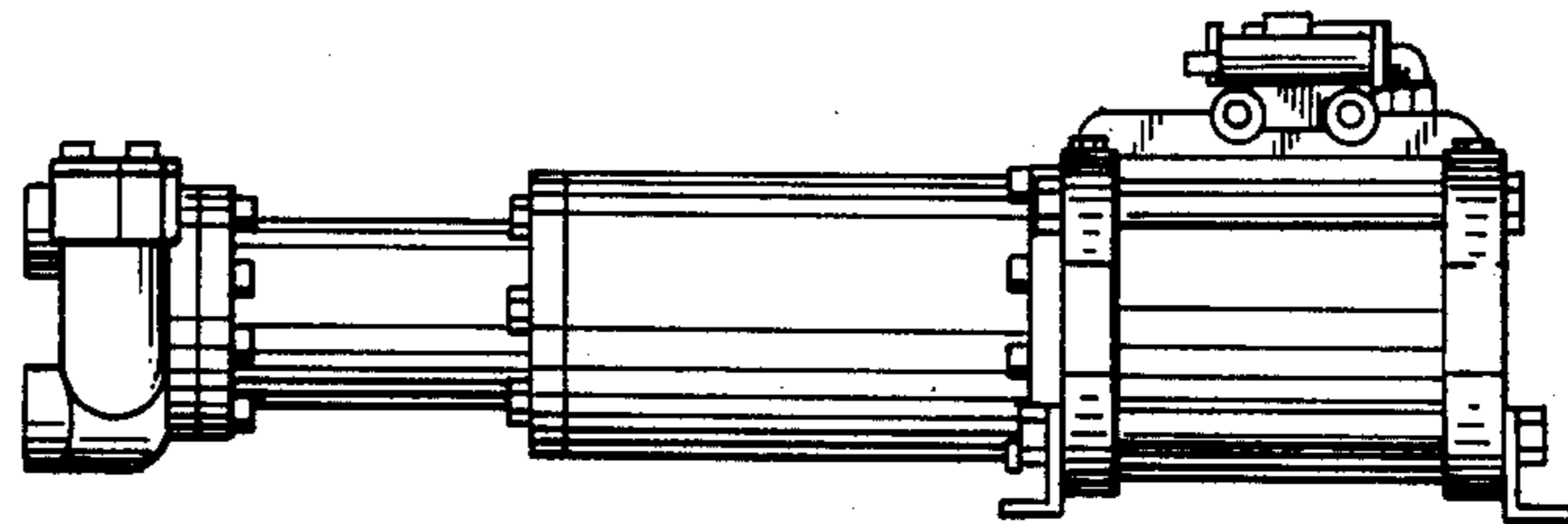


FIG. 3