

[54] RING WITH CANTED TOP BARS

[76] Inventor: Sidney Frederick Mobell, 330 Bridge Road, Hillsborough, Calif. 94010

[**] Term: 14 Years

[21] Appl. No.: 565,977

[22] Filed: Apr. 7, 1975

[51] Int. Cl. D11-01

[52] U.S. Cl. D11/35

[58] Field of Search D45/10A-10 C, D45/4 C; 63/1 R, 1 A, 2, 3, 7-11, 15-15.8; D11/27-29, 34, 35

[56] References Cited

U.S. PATENT DOCUMENTS

D. 145,029 6/1946 Nalick D45/10 C
D. 197,799 3/1964 Nolen D45/10 B

FOREIGN PATENT DOCUMENTS

968,389 11/1950 France 63/15

OTHER PUBLICATIONS

Deutsche Goldschmeide-Zeitung, July 1959, p. 367—ring at left center.

Catalogue of Indian Design Silver Jewelry by Arrow Novelty Co., Inc. rec'd. 8/15/1930, p. 39—Ring No. 17608 bottom left.

Primary Examiner—Joel Stearman
Assistant Examiner—Louis S. Zarfes
Attorney, Agent, or Firm—Stephen S. Townsend

[57] CLAIM

The ornamental design for a ring with canted top bars, as shown and described.

DESCRIPTION

FIG. 1 is a perspective view of a ring with canted top bars showing my new design;

FIG. 2 is a top plan view;

FIG. 3 is a side-elevational view, both sides being the same;

FIG. 4 is an end-elevational view, both ends being the same; and

FIG. 5 is a bottom plan view.

In all the views, possible locations for set stones are shown in broken lines.

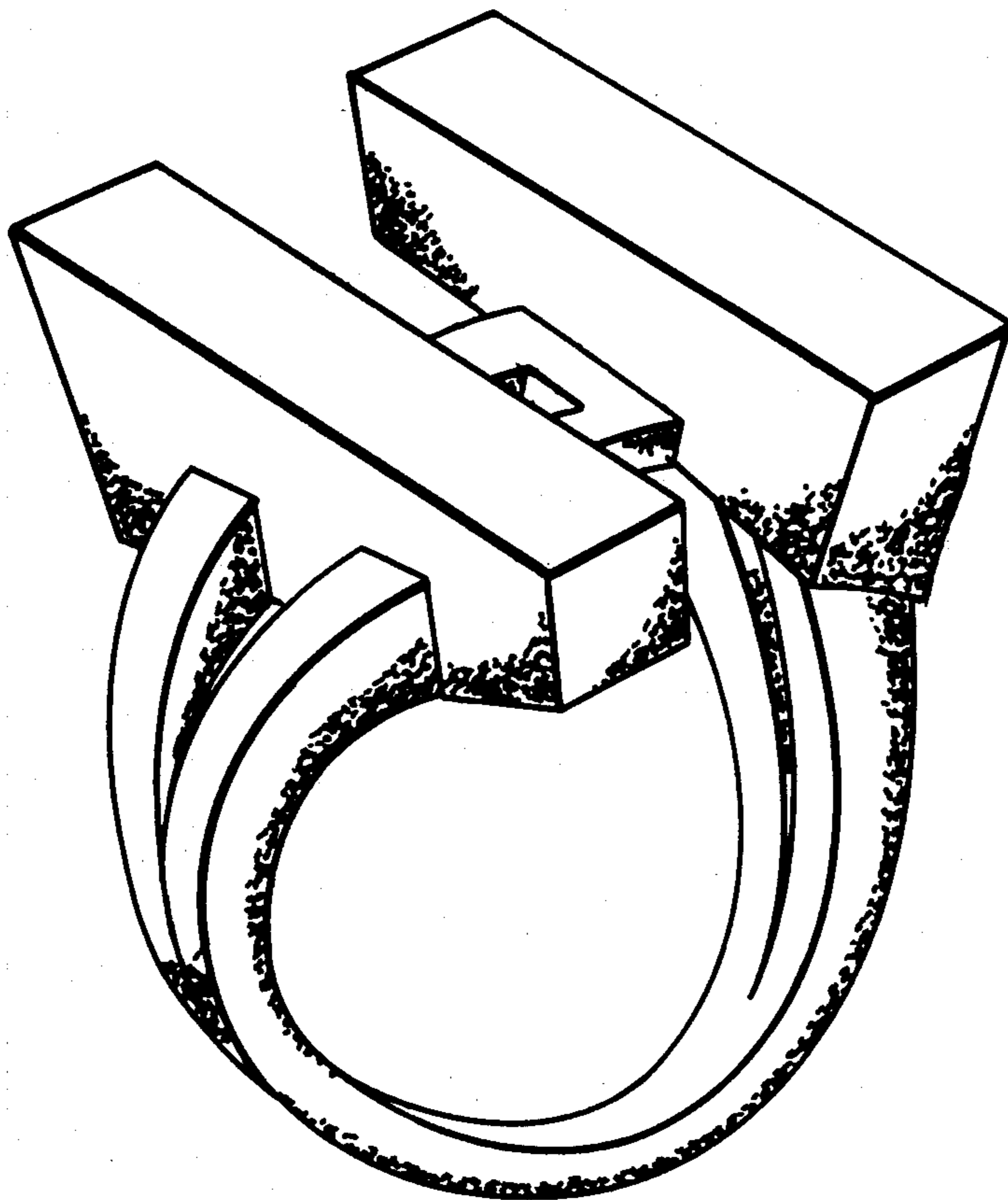


FIG _ 1

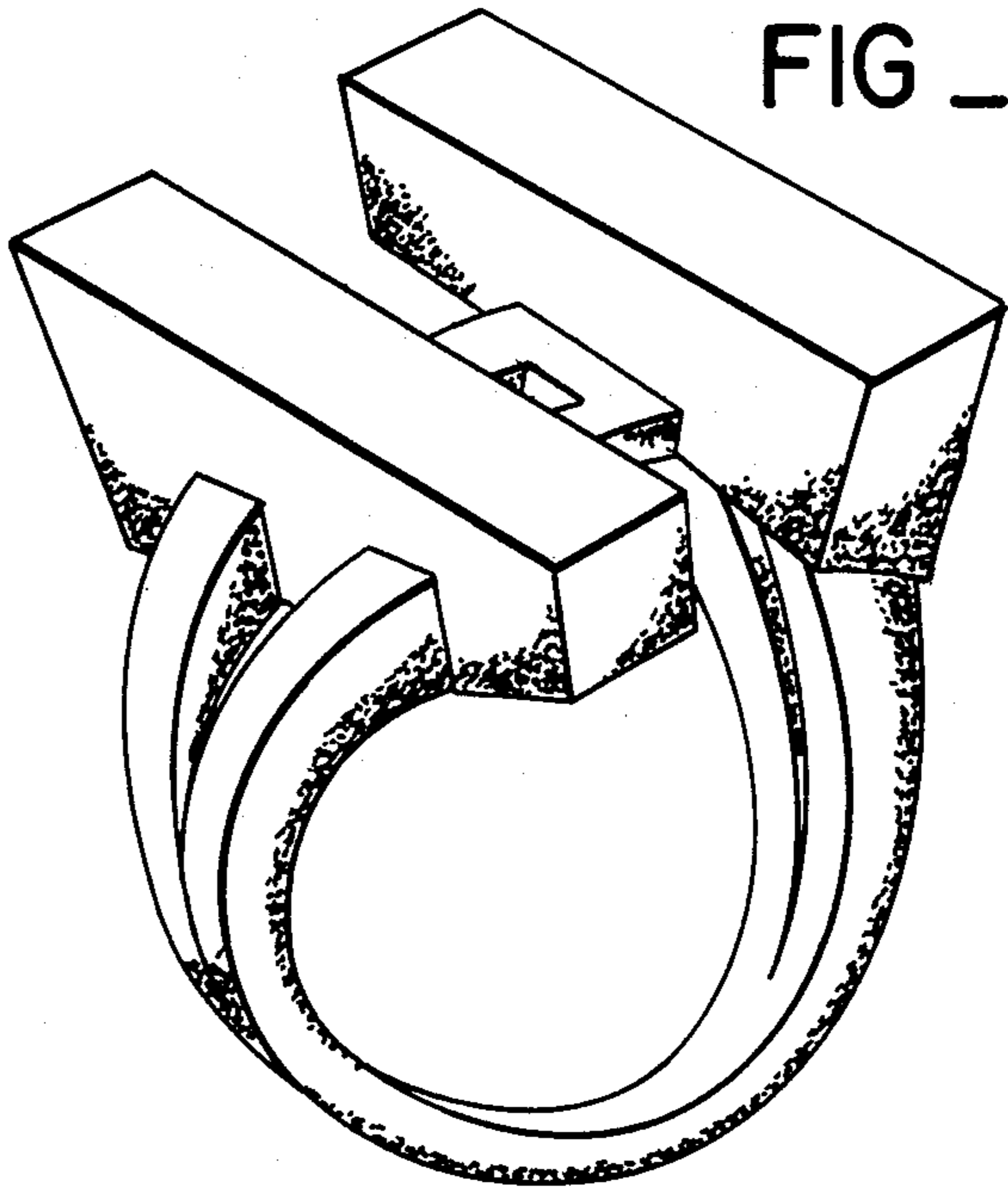


FIG _ 2

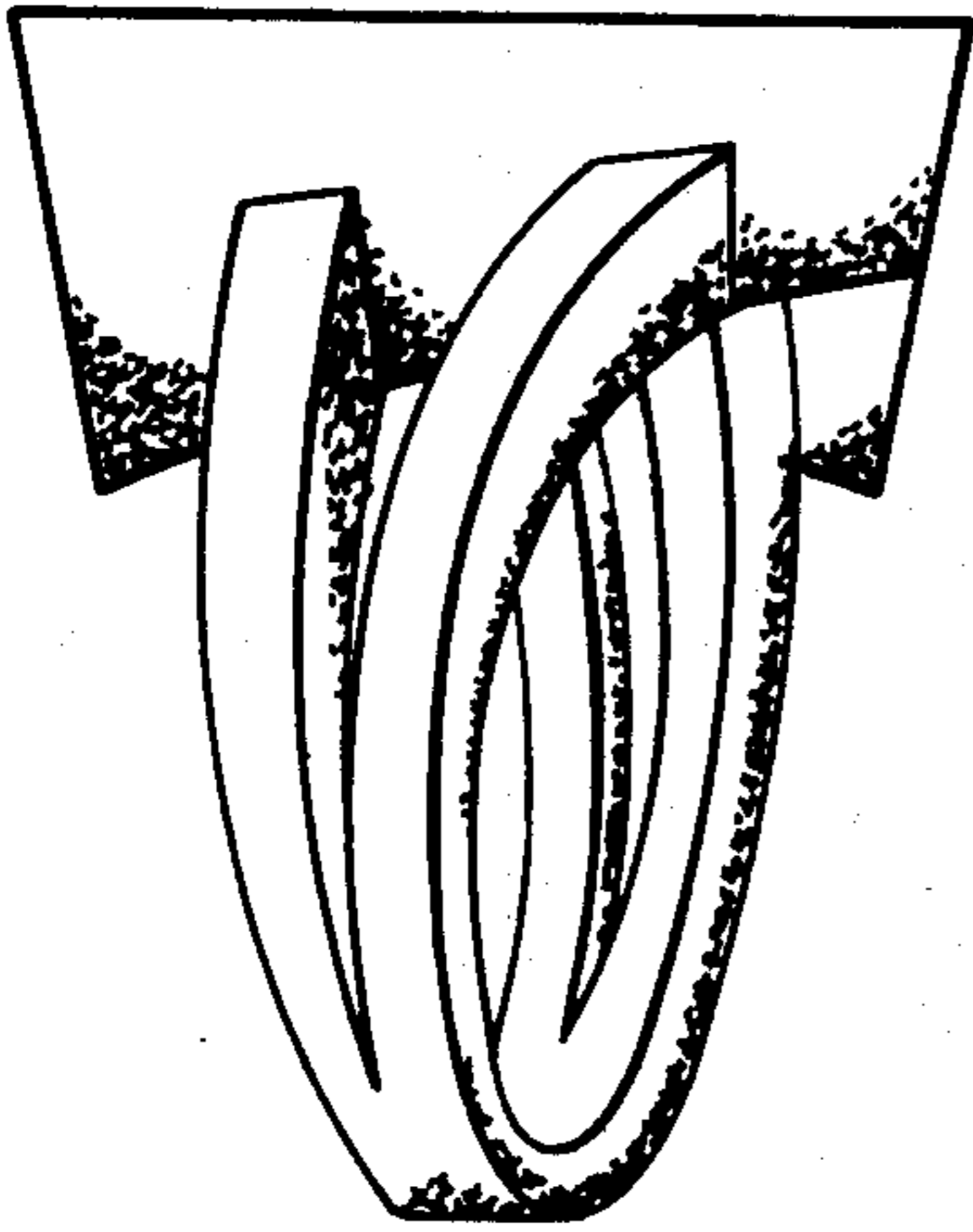
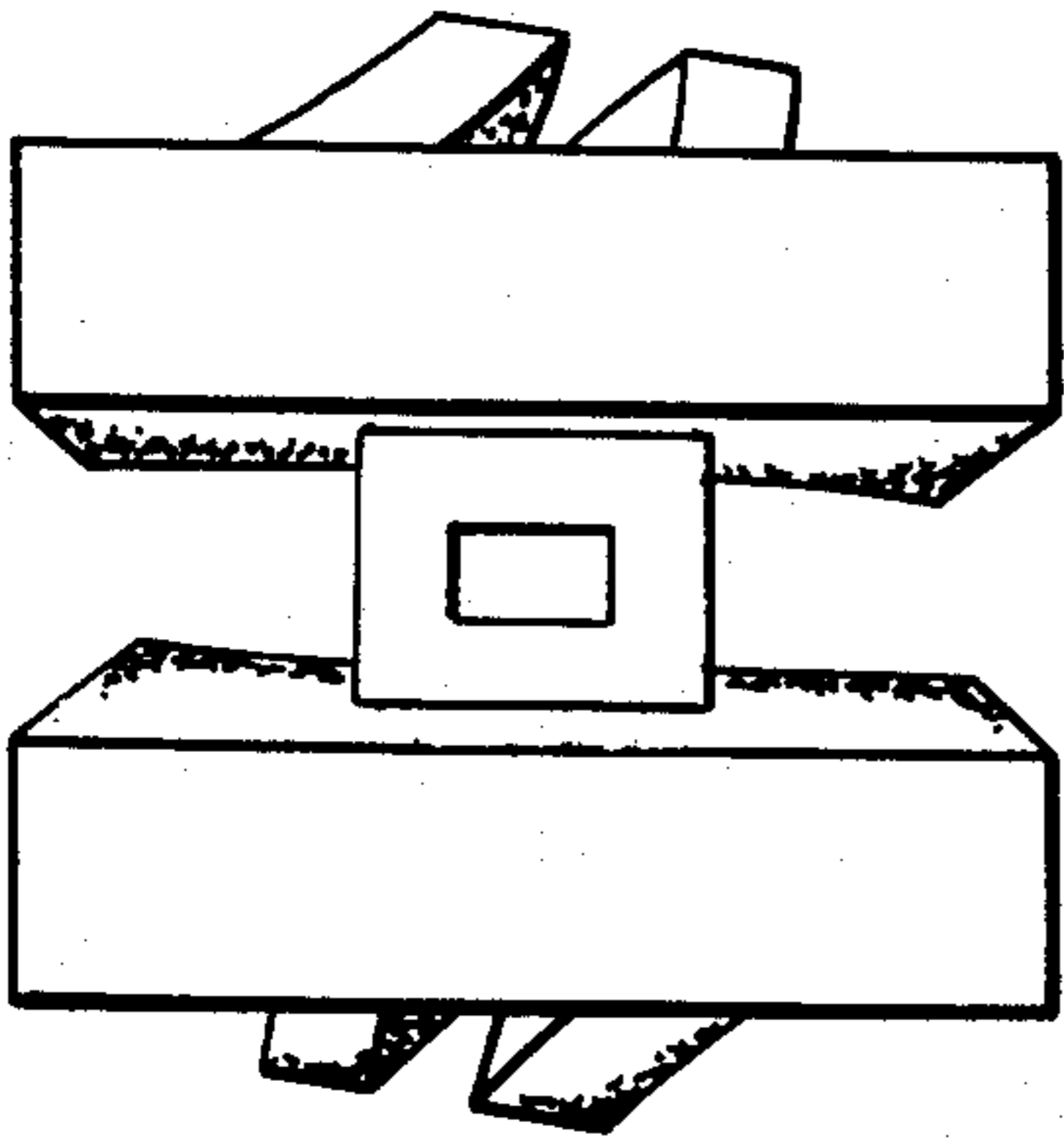


FIG _ 3

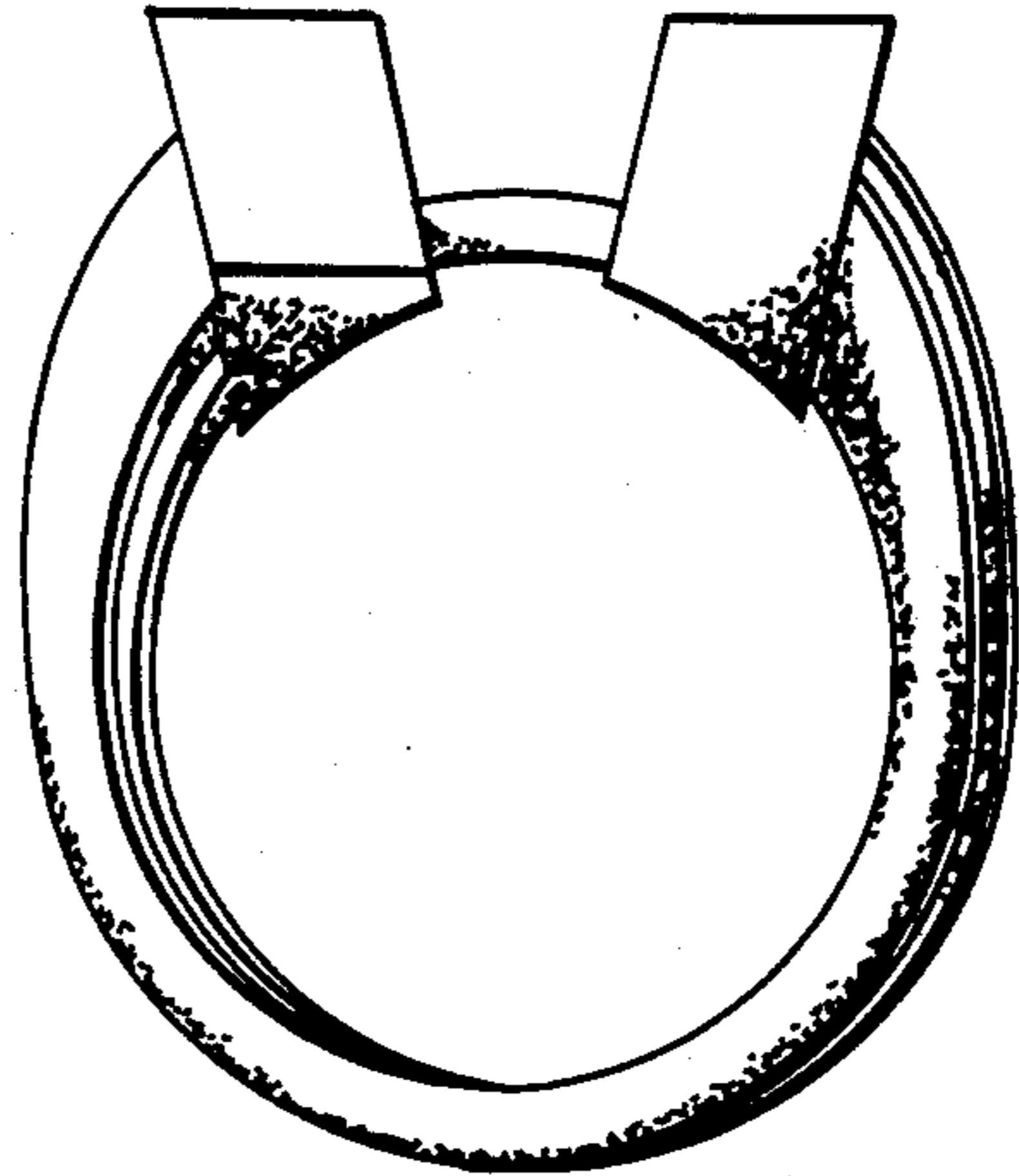


FIG _ 4

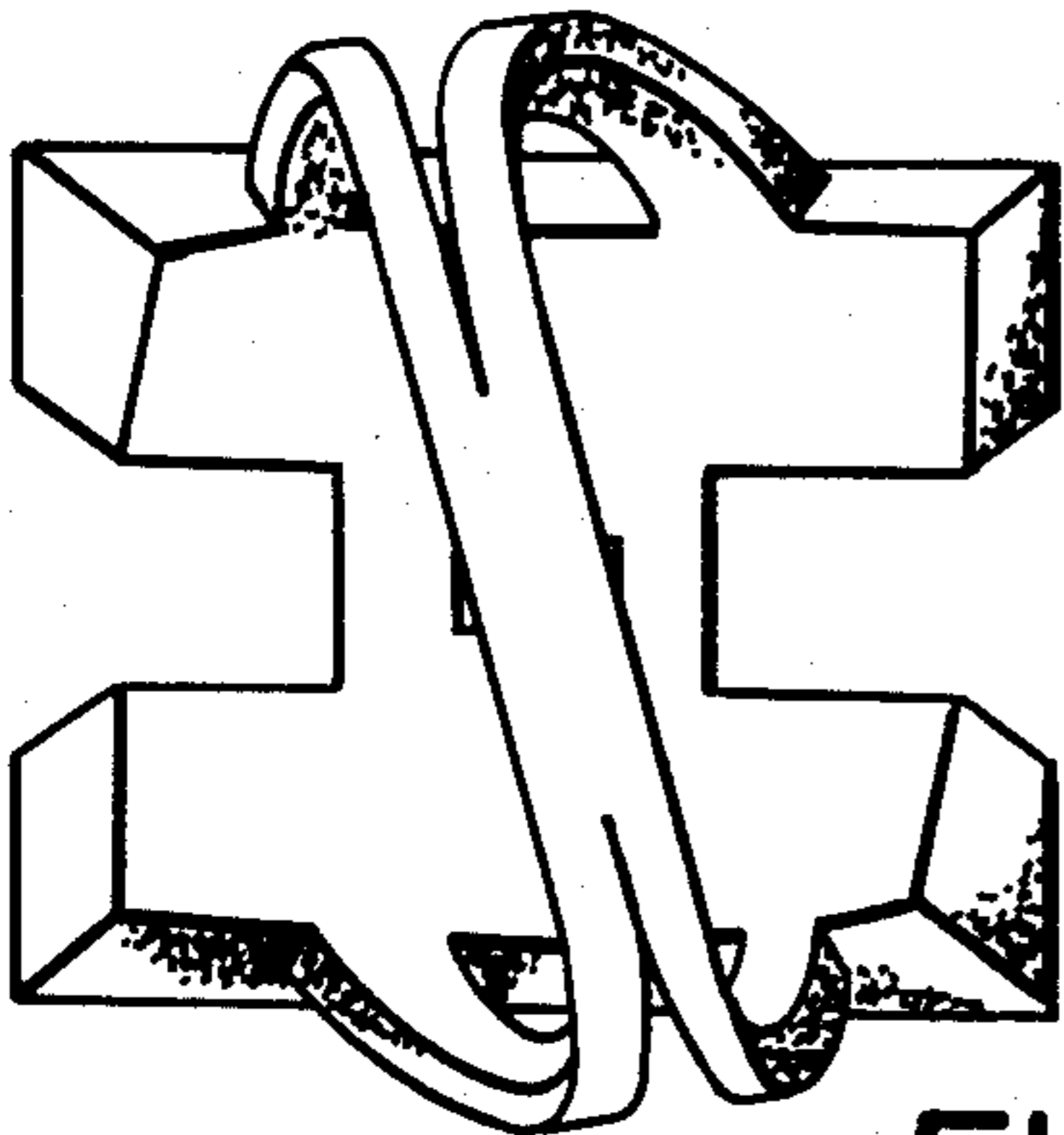


FIG _ 5