

[54] DISPENSING CAP FOR AN EYE DROP BOTTLE OR THE LIKE

[56]

References Cited

U.S. PATENT DOCUMENTS

[76] Inventor: Stuart F. Winikoff, 9195 Collington Square, Allison Park, Pa. 15101

2,028,984	1/1936	Lukens .....	128/249
2,516,818	7/1950	West .....	128/249
2,920,624	1/1960	Lerner et al. ....	128/233
D. 104,881	6/1937	Rosengart .....	D9/10
D. 134,263	2/1942	Derham et al. ....	D9/261

[\*\*] Term: 14 Years

Primary Examiner—Robert C. Spangler  
Attorney, Agent, or Firm—David C. Bruening

[21] Appl. No.: 545,475

[57] CLAIM

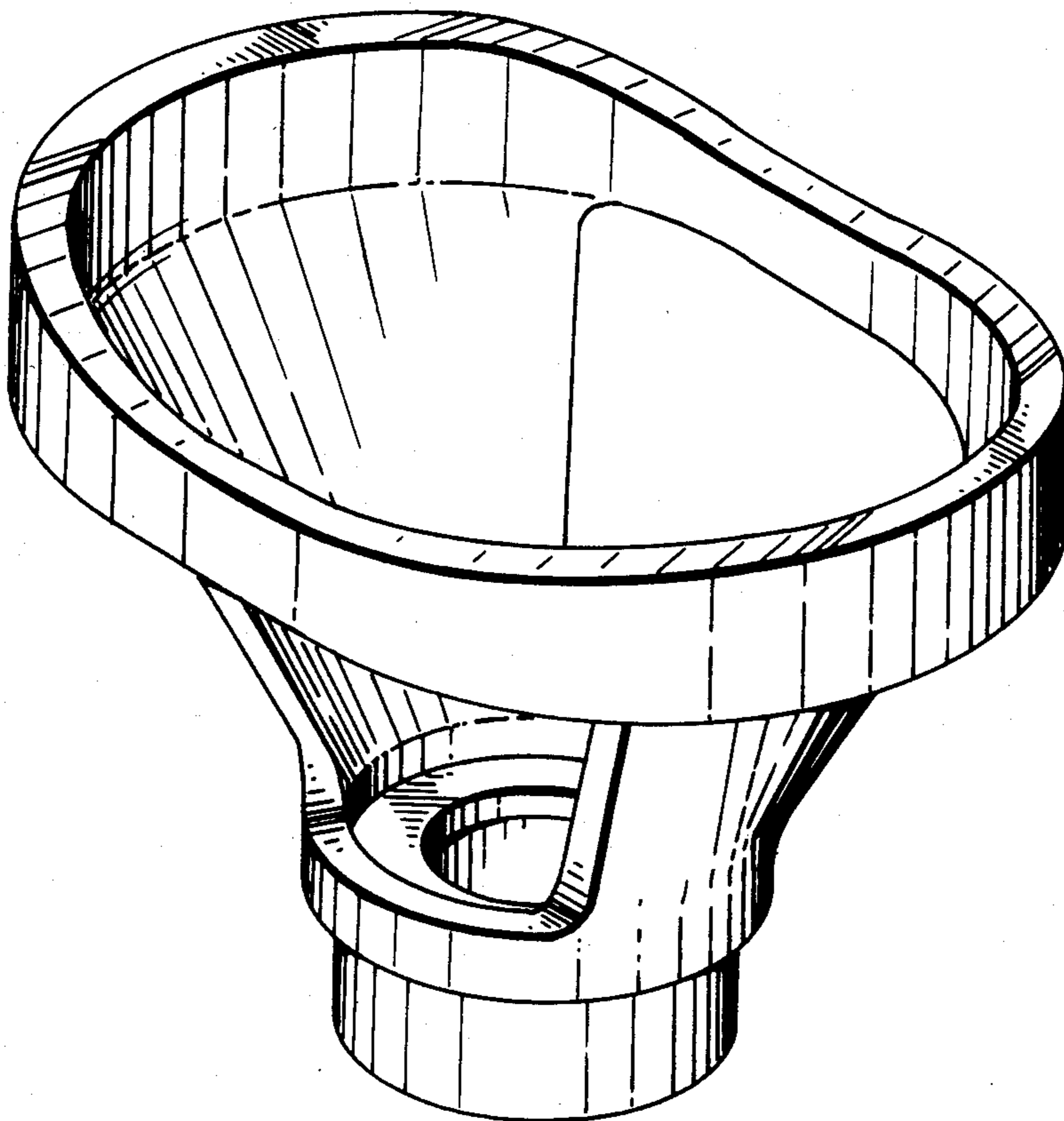
[22] Filed: Jan. 30, 1975

The ornamental design for a dispensing cap for an eye drop bottle or the like, as shown.

DESCRIPTION

[51] Int. Cl.<sup>2</sup> ..... D9—07  
 [52] U.S. Cl. .... D9/261  
 [58] Field of Search ..... 128/233, 249; D83/1 N;  
 D9/261—262, 275—279

FIG. 1 is a perspective view of a dispensing cap for an eye drop bottle or the like showing my new design; FIG. 2 is a plan view thereof; and FIG. 3 is an elevation thereof.



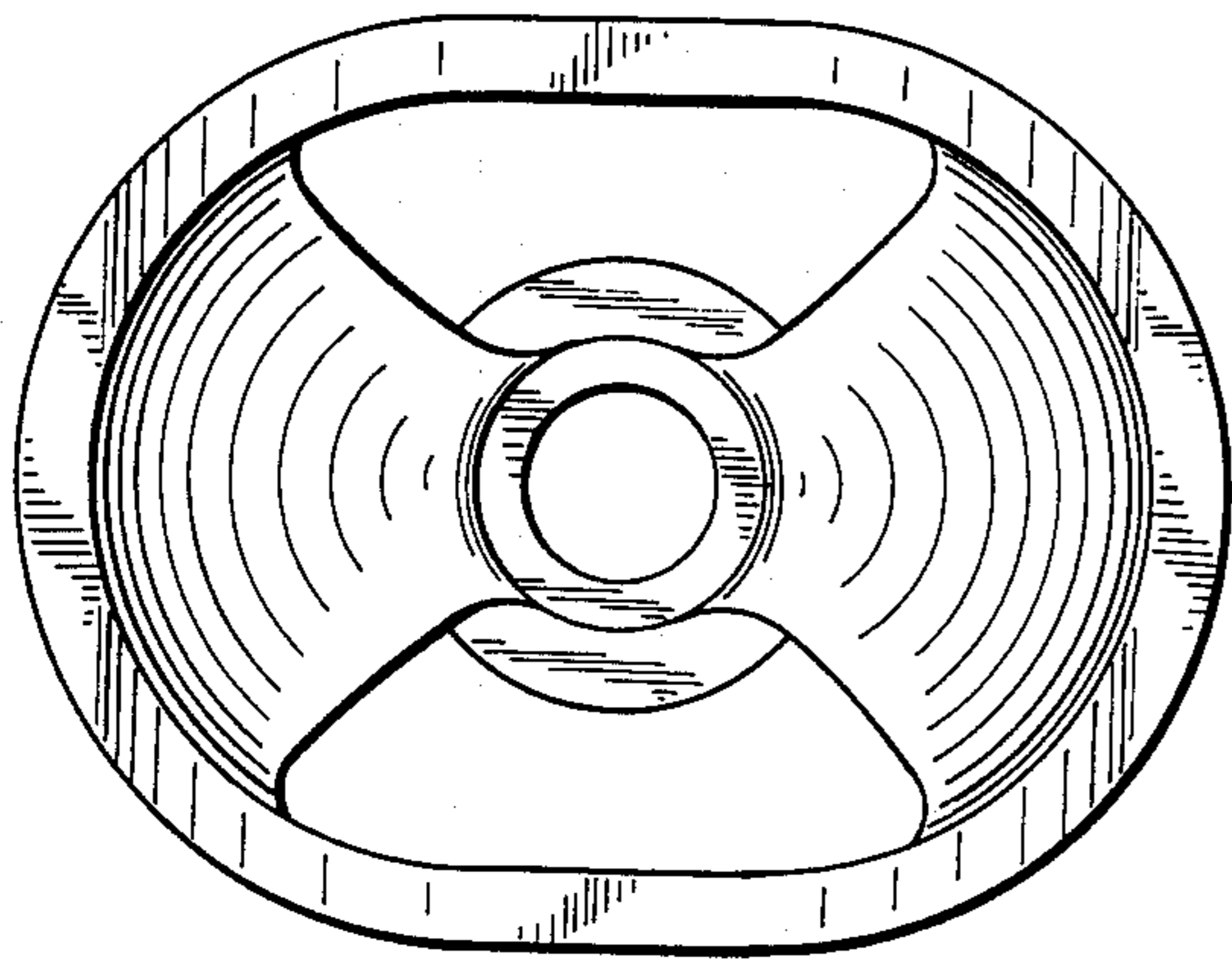


FIG. 2

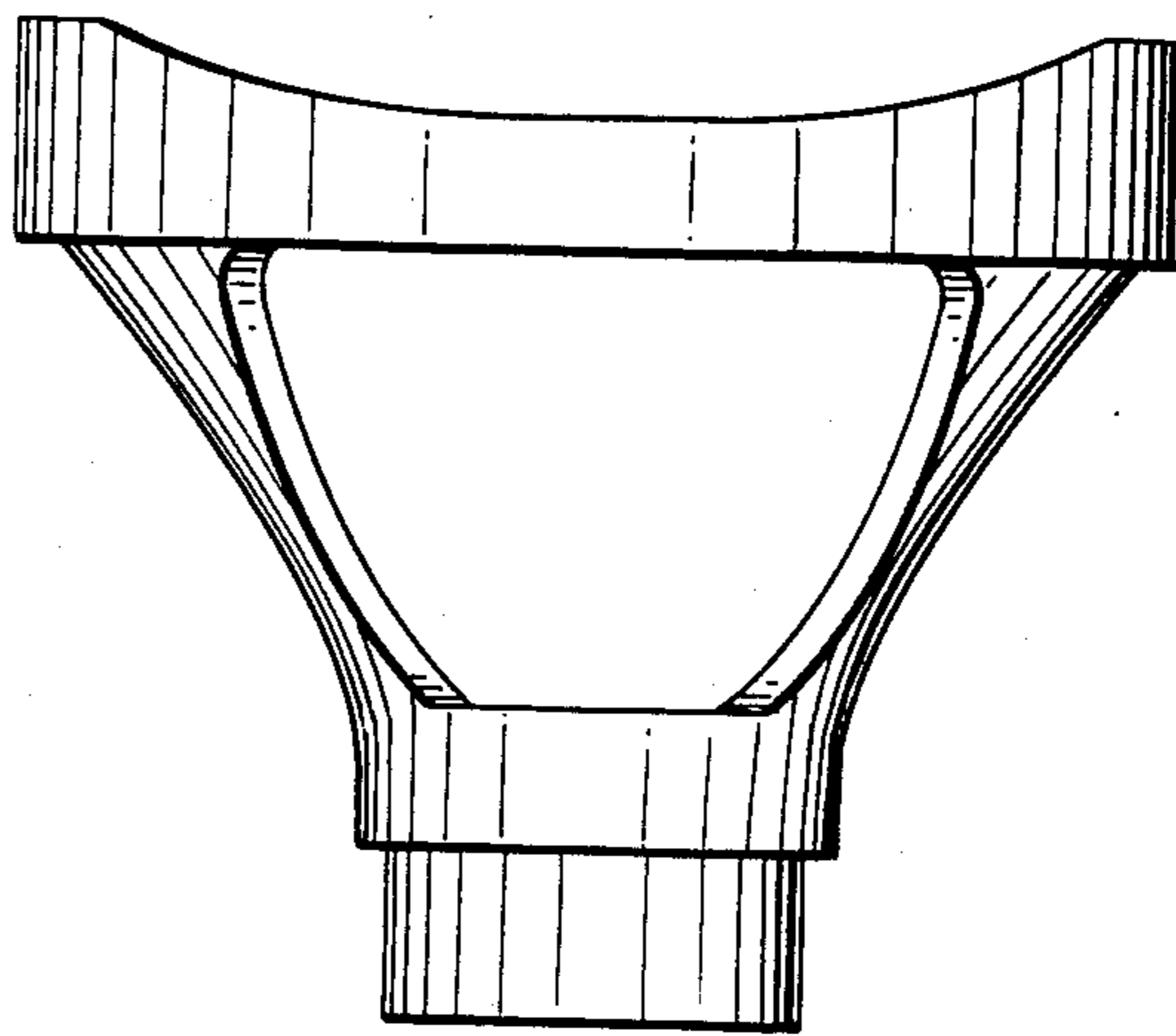


FIG. 3

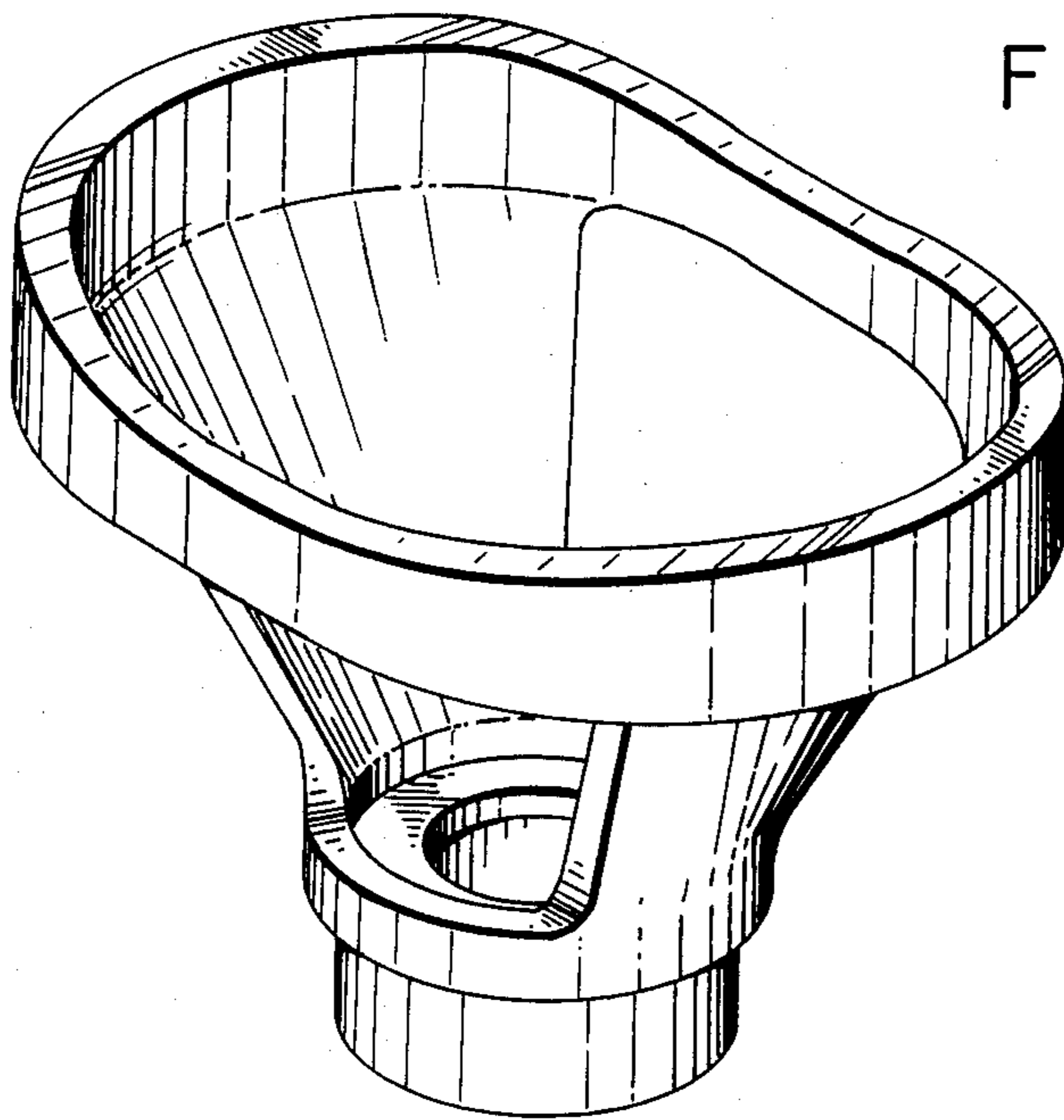


FIG. 1