

[54] AIR TOOL HOUSING SHROUD  
 [76] Inventor: **Richard H. Krom**, 1700 Harrington Ave. NE., Renton, Wash. 98055  
 [\*\*] Term: **14 Years**  
 [21] Appl. No.: **530,792**  
 [22] Filed: **Dec. 9, 1974**  
 [51] Int. Cl. .... **D8-05**  
 [52] U.S. Cl. .... **D8/70**  
 [58] Field of Search ..... **D8/70, 68; 173/DIG. 28; 181/36 A, 33 K**

3,802,538 4/1974 Brown ..... 173/DIG. 2

Primary Examiner—Alan P. Douglas  
Attorney, Agent, or Firm—John W. Kraft

[57] CLAIM

The ornamental design for an air tool housing shroud, substantially as shown and described.

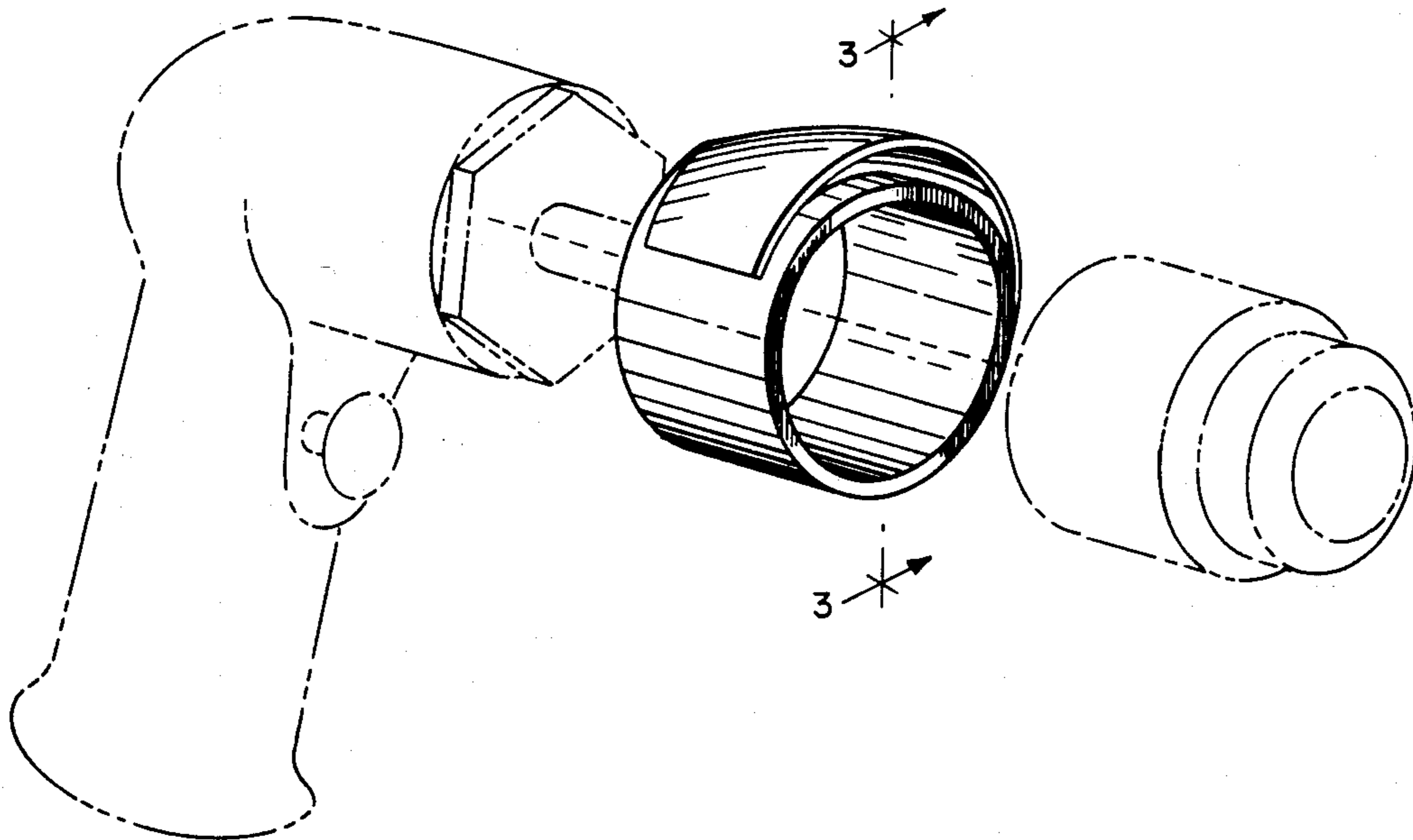
DESCRIPTION

FIG. 1 is a right front perspective view of an air tool housing shroud embodying my new design, shown in the environment of a hand-held air motor having a chuck shown in broken lines for illustrative purposes.

FIG. 2 is a left front perspective view of the article of the FIG. 1.

FIG. 3 is a cross-sectional view of the present shroud in its environment.

[56] **References Cited**  
**U.S. PATENT DOCUMENTS**  
 3,757,891 9/1973 Krieger ..... 181/33 K



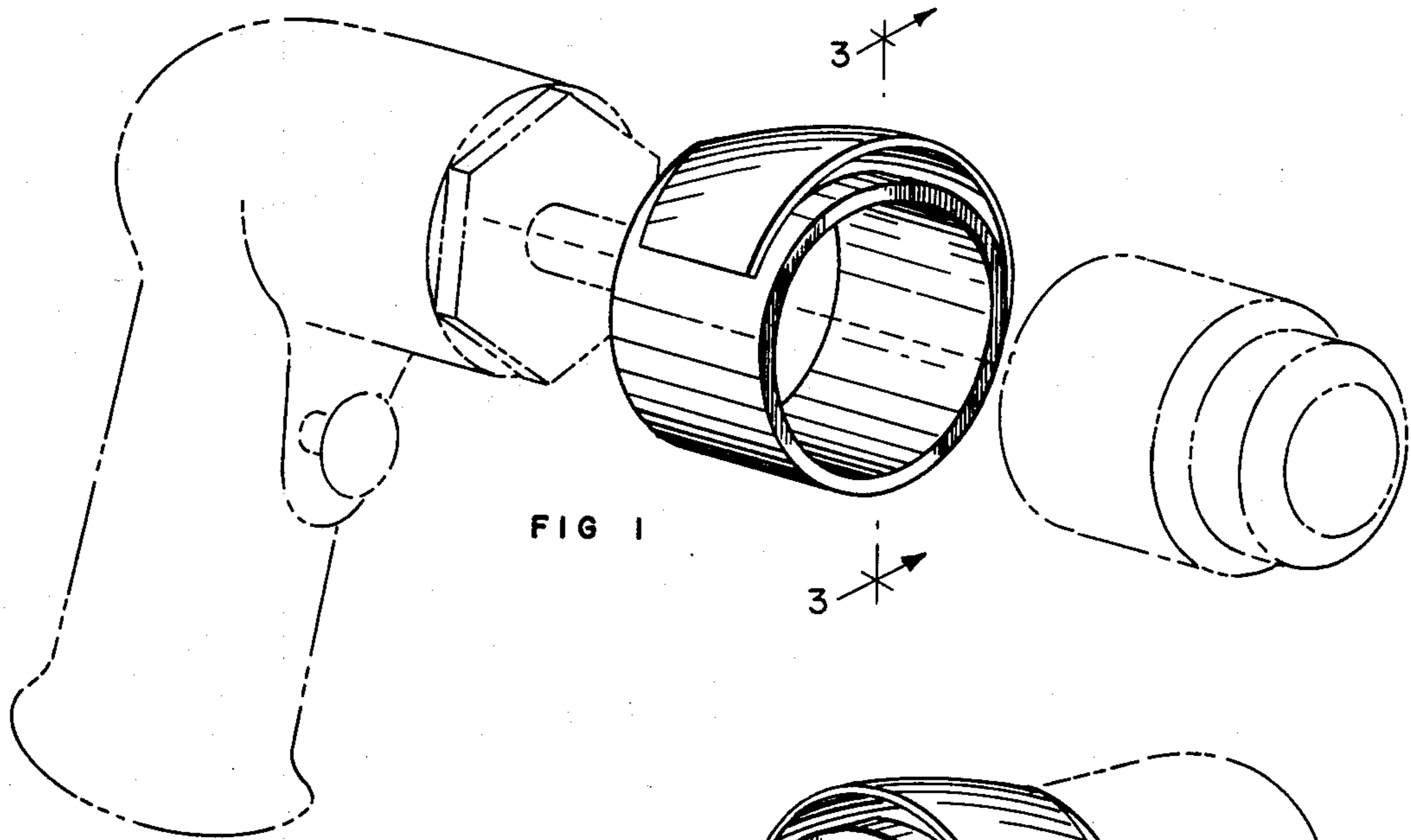


FIG 1

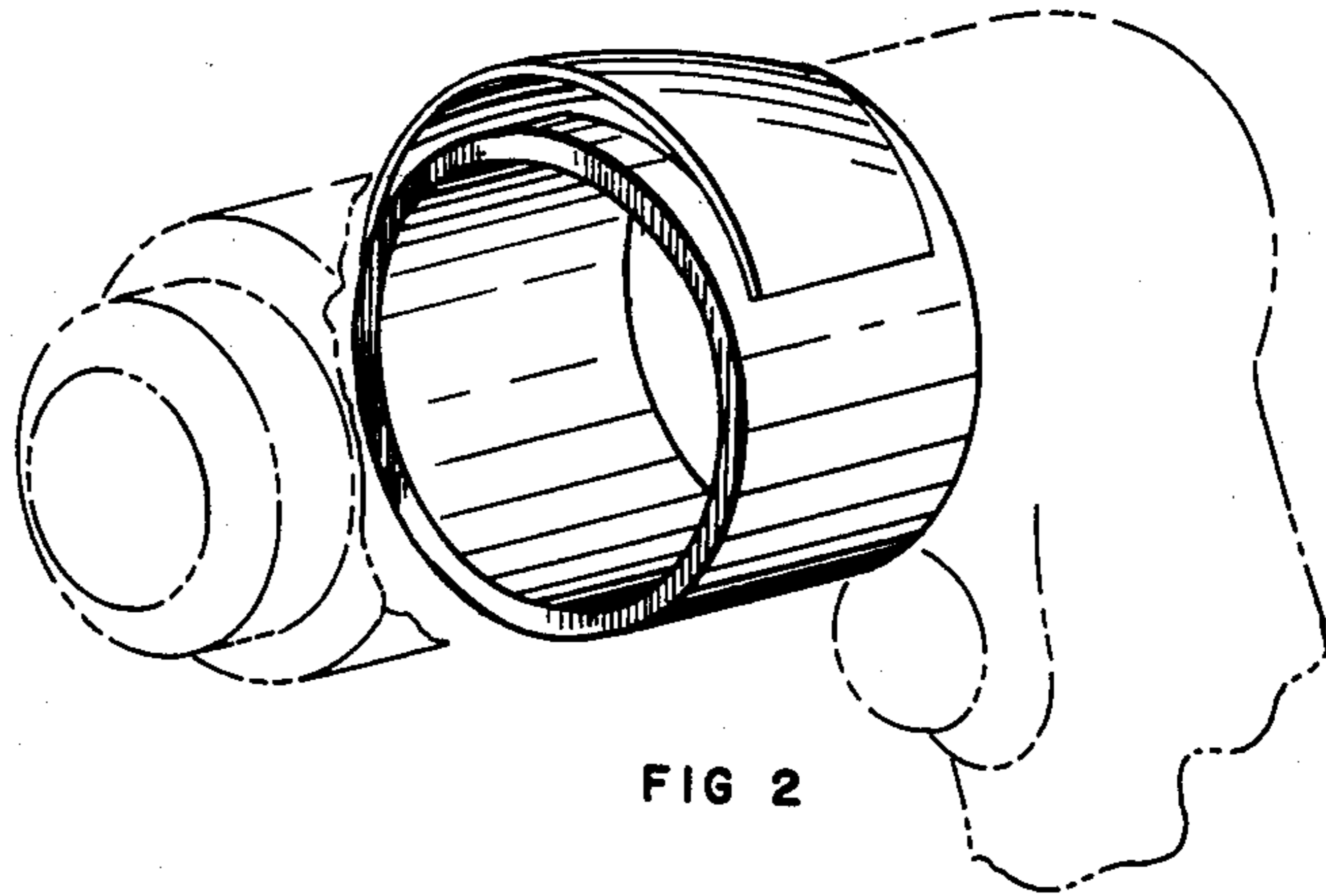


FIG 2

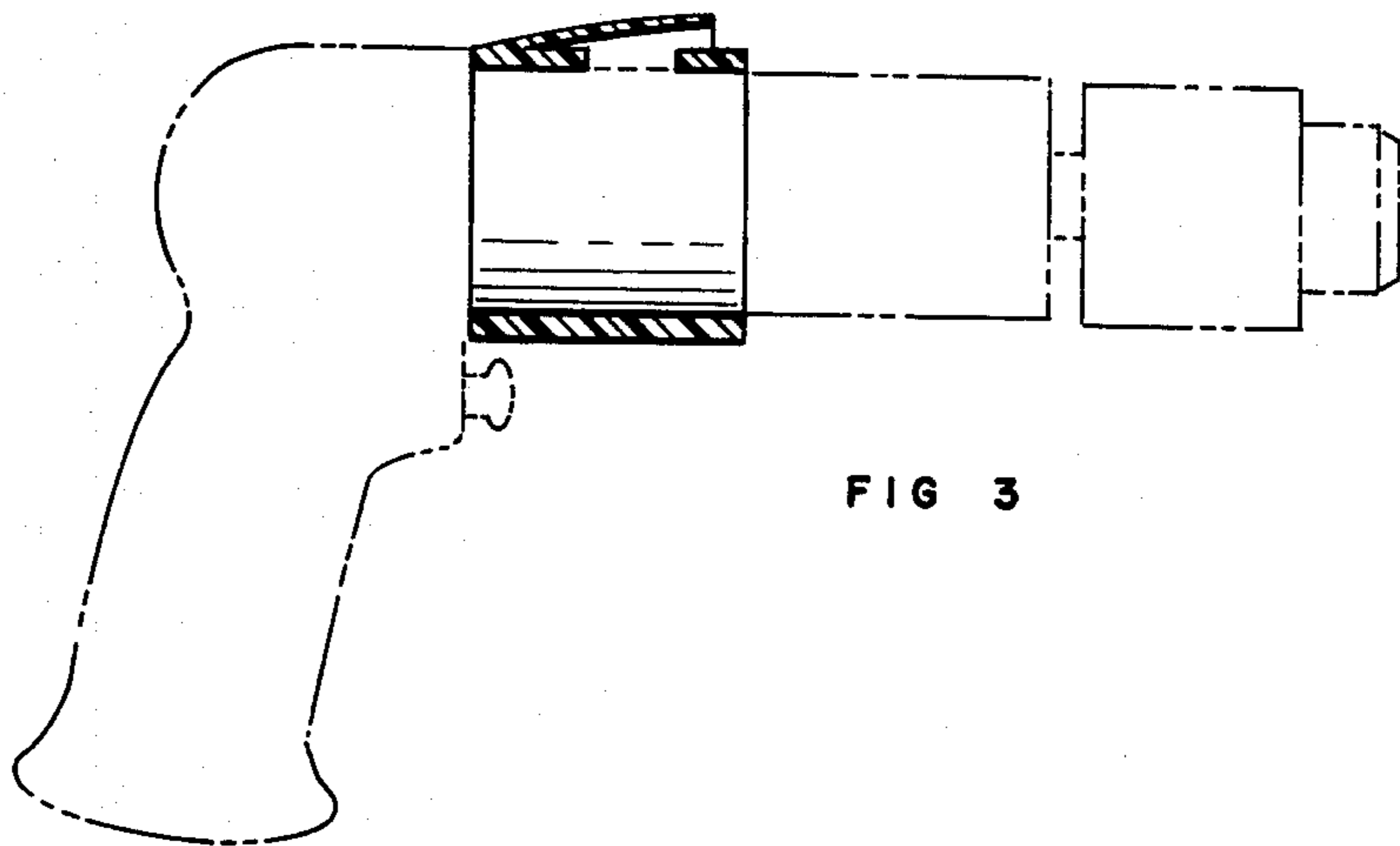


FIG 3