

[54] GAS STOVE OR SIMILAR ARTICLE

[75] Inventor: Claude Alain Richard Monnet, Paris, France

[73] Assignee: Shell International Petroleum Company Limited, London, England

[**] Term: 14 Years

[21] Appl. No.: 587,878

[22] Filed: June 18, 1975

[51] Int. Cl. D7-04

[52] U.S. Cl. D7/110

[58] Field of Search D7/107-110, D7/121, 129, 130, 136; 126/1 R, 25 R, 25 A, 25 AA, 25 B, 25 C, 29, 30, 9 R, 9 A, 9 B, 4, 38, 37 R, 37 A, 37 B, 39 R, 39 E, 44, 43

[56]

References Cited

U.S. PATENT DOCUMENTS

1,421,393	7/1922	Boyle	126/29
3,713,432	1/1973	Finley	126/38
D. 209,436	11/1967	Myler	D7/136
D. 231,070	4/1974	Koziol	D7/109

Primary Examiner—Wallace R. Burke
Assistant Examiner—Catherine Kemper

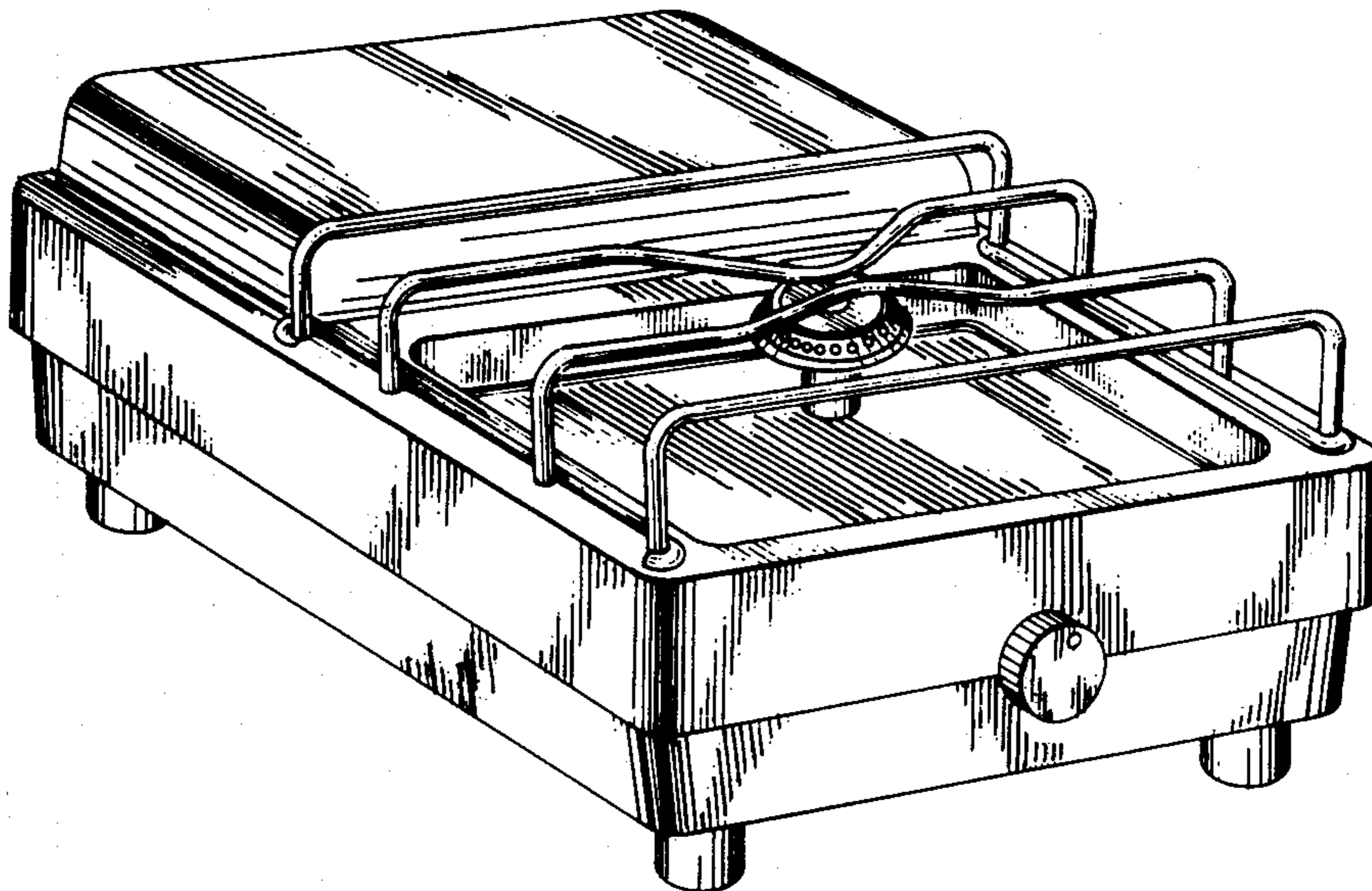
[57]

CLAIM

The ornamental design for the gas stove or similar article, as shown and described.

DESCRIPTION

FIG. 1 is a top plan view of a gas stove showing my new design;
FIG. 2 is a top perspective view thereof.
The side of the stove which is not shown is substantially identical to the side disclosed in FIG. 2.



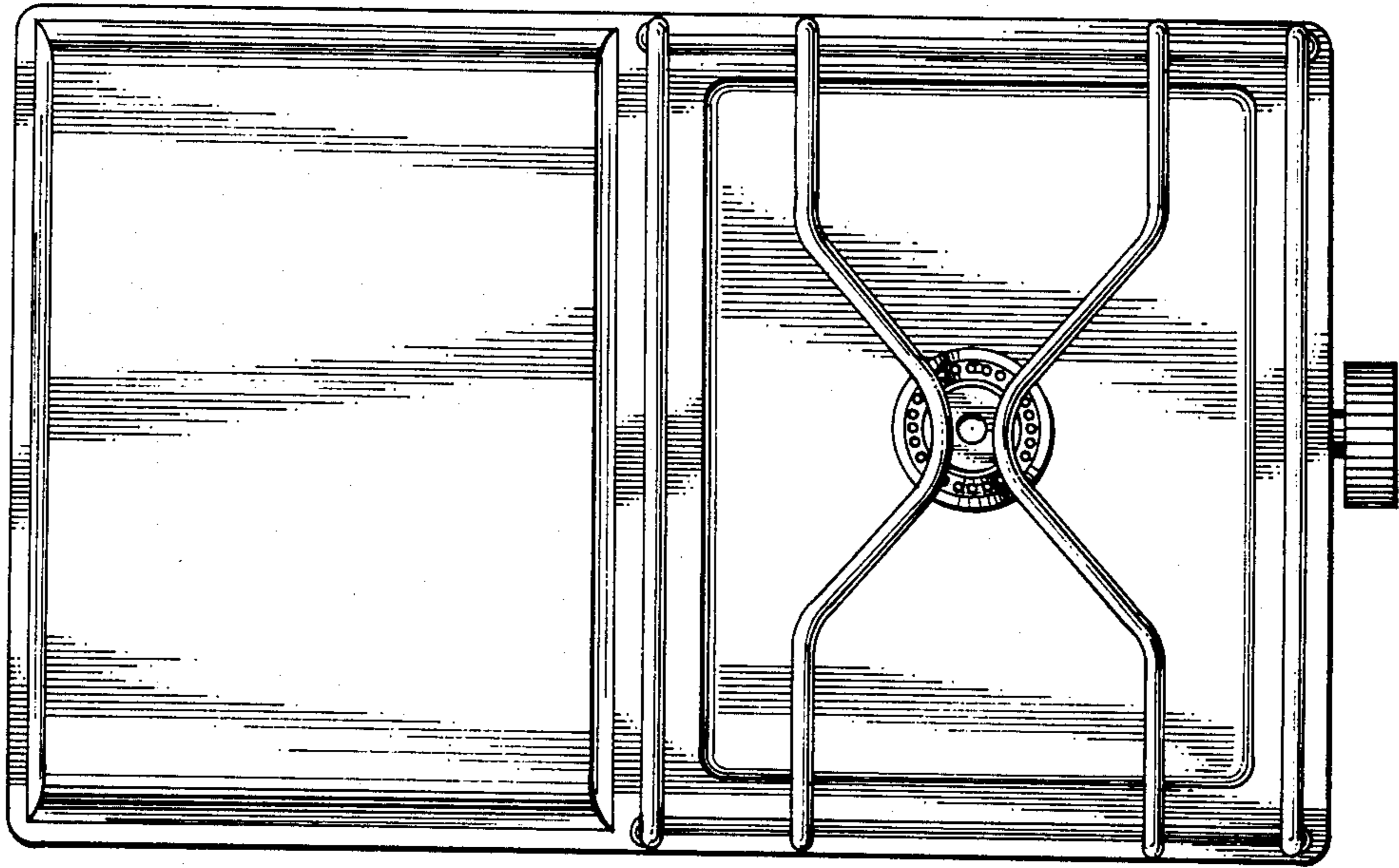


FIG. 1

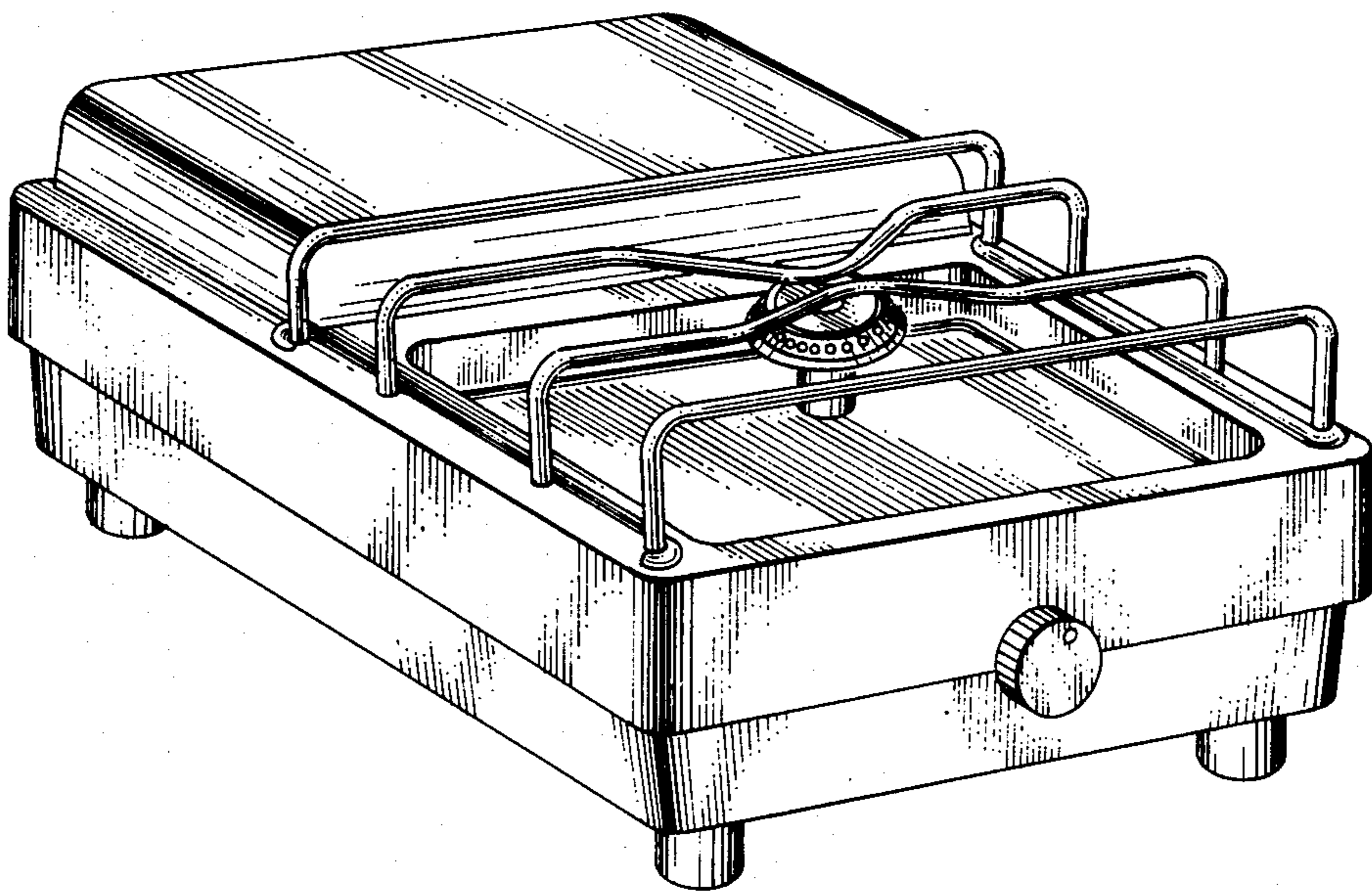


FIG. 2