

[54] **WARDROBE SYSTEMIZER DEVICE**

[76] Inventor: **Franklin H. Henry**, 1431 Prentice Drive, Healdsburg, Calif. 95448

[**] Term: **14 Years**

[21] Appl. No.: **642,773**

[22] Filed: **Dec. 22, 1975**

[51] Int. Cl. **D6-08**

[52] U.S. Cl. **D6/257**

[58] Field of Search **D6/85, 191; D19/13; D96/1, 2; 40/26; 223/85**

[56] **References Cited**

U.S. PATENT DOCUMENTS

1,790,157 1/1931 Kovary 223/85

FOREIGN PATENT DOCUMENTS

297,633 3/1954 Switzerland 40/26

OTHER PUBLICATIONS

Stuart M. Lerner, 1961 Purchasing Guide, p. 27, long divider.

Visual Merchandising, 12/1974, p. 15, fashion size marker.

Stuart M. Lerner, 1961 Purchasing Guide, p. 27, bagel divider.

Primary Examiner—Wallace R. Burke

Assistant Examiner—B. J. Bullock

Attorney, Agent, or Firm—John J. Leavitt

[57] **CLAIM**

The ornamental design for a wardrobe systemizer device, substantially as shown.

DESCRIPTION

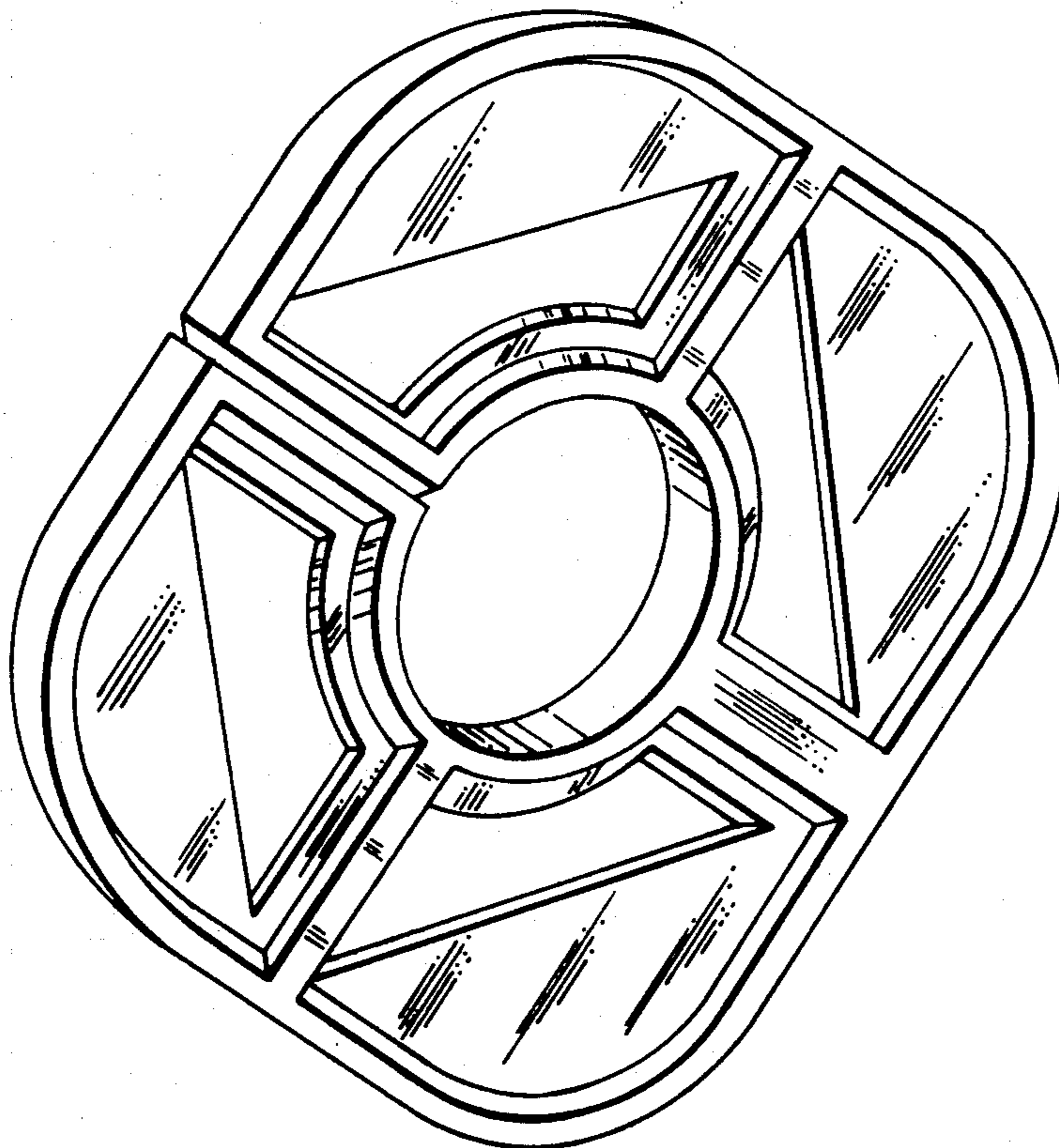
FIG. 1 is a perspective view of a wardrobe systemizer device showing my new design;

FIG. 2 is a front elevational view thereof;

FIG. 3 is a side elevational view thereof;

FIG. 4 is a bottom plan view thereof; and

FIG. 5 is a sectional view taken on line 5—5 of FIG. 2.



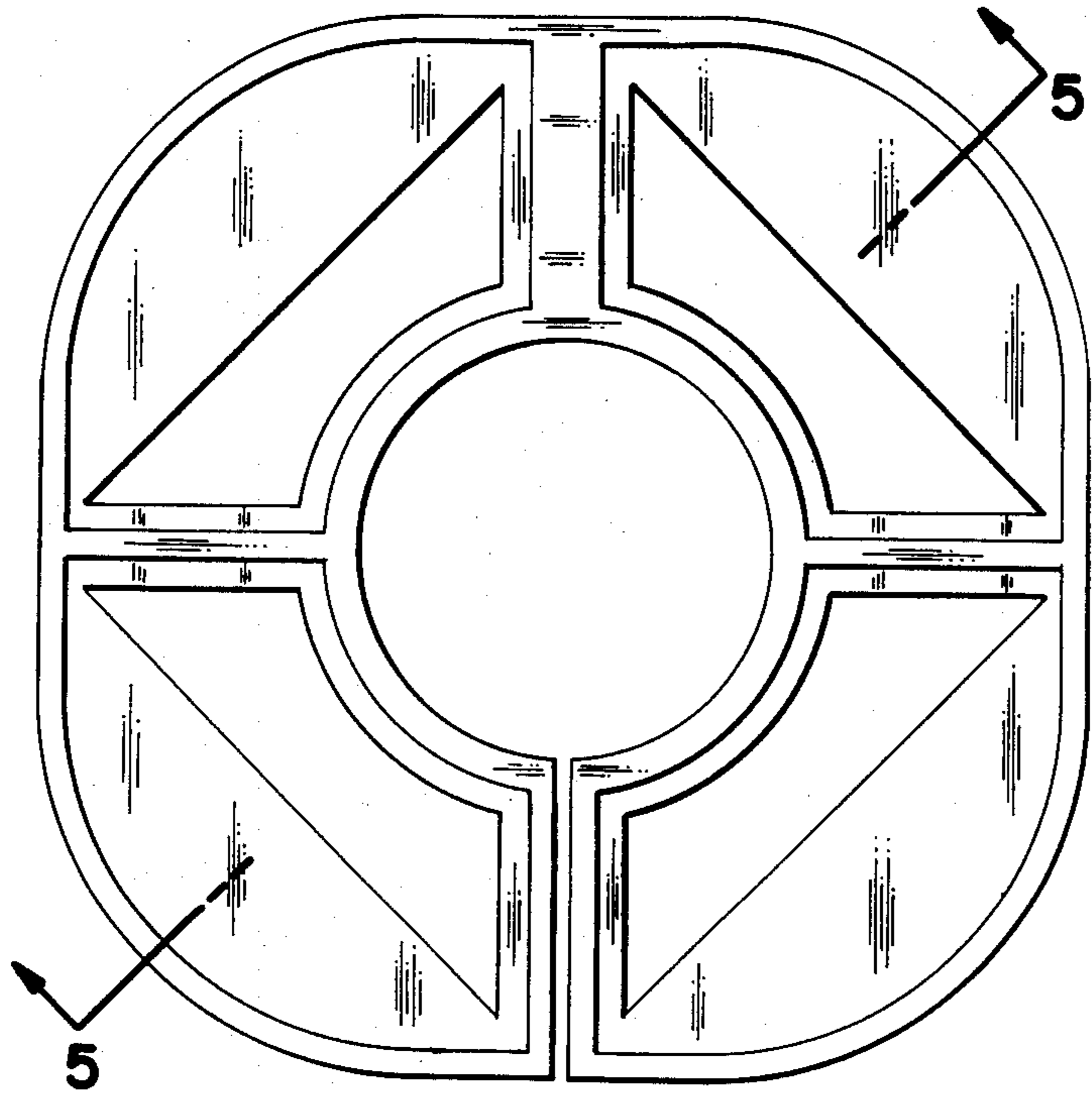


FIG. 2



FIG. 3

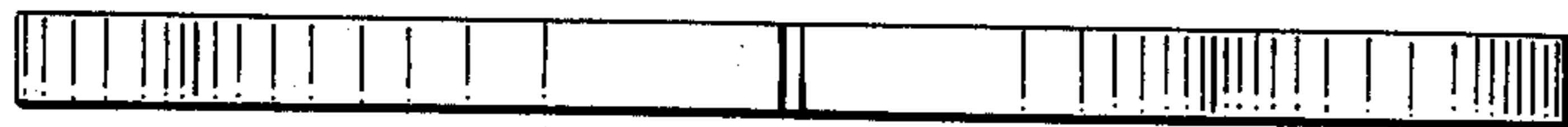


FIG. 4

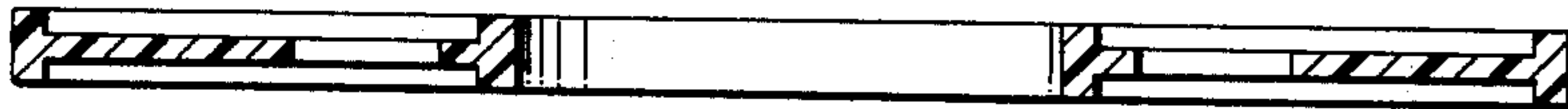


FIG. 5

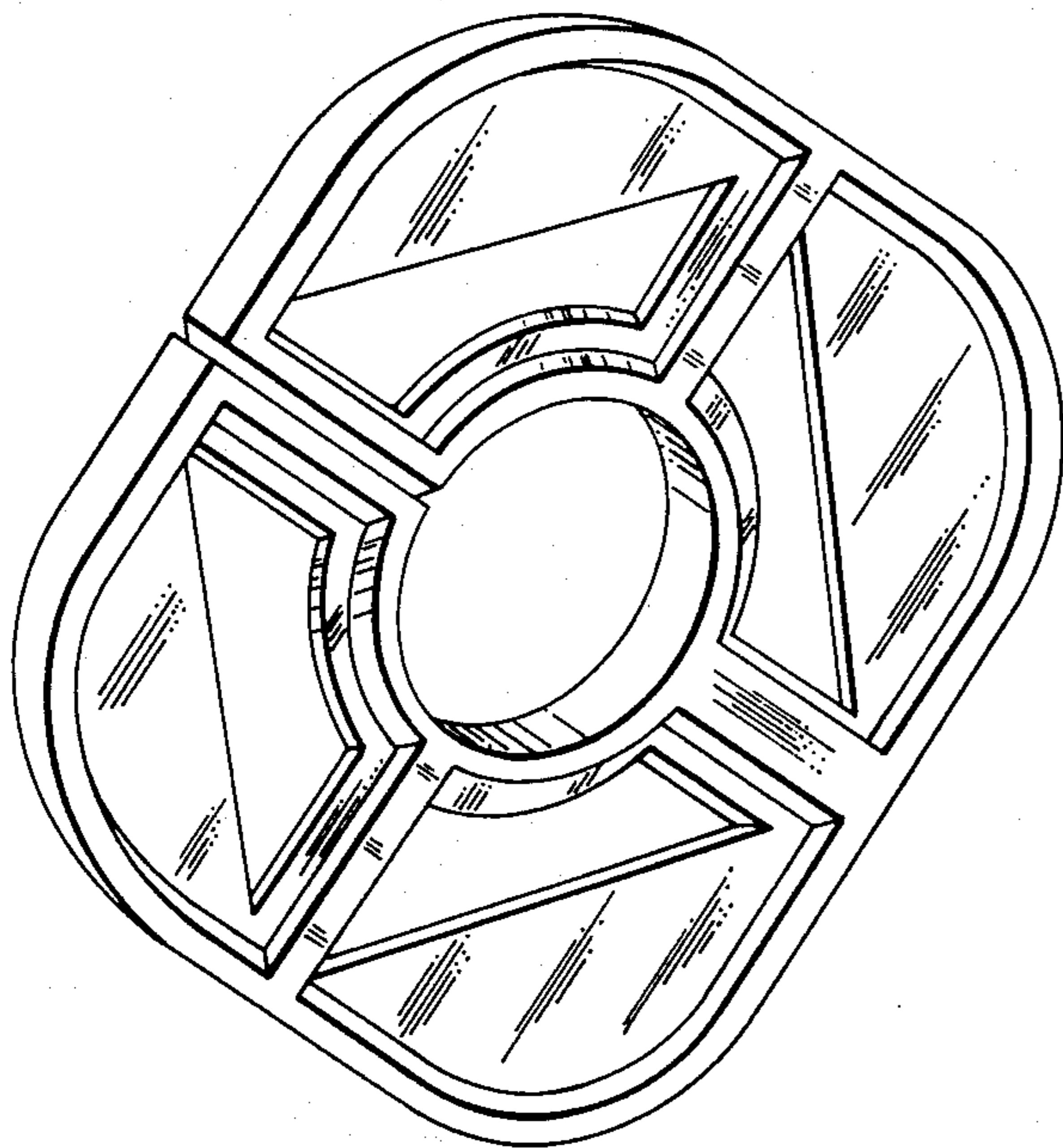


FIG. 1