

[54] PEDESTAL FOR BATHROOM FIXTURES OR THE LIKE

D. 231,055 4/1974 Sahloff D6/86
D. 241,609 9/1976 Tegner D8/179

[75] Inventor: Raymond U. H. Tegner, Lodi, Wis.

Primary Examiner—Wallace R. Burke
Assistant Examiner—B. J. Bullock
Attorney, Agent, or Firm—C. Frederick Leydig

[73] Assignee: Amerock Corporation, Rockford, Ill.

[**] Term: 14 Years

[57] CLAIM

[21] Appl. No.: 640,032

The ornamental design for a pedestal for bathroom fixtures or the like, as shown and described.

[22] Filed: Dec. 12, 1975

DESCRIPTION

[51] Int. Cl. D23—01; D6—06

[52] U.S. Cl. D6/86

[58] Field of Search D6/85, 86, 96, 99, 100,
D6/103, 194, 195; D48/2; D8/1

FIG. 1 is a side elevational view of a pedestal for bathroom fixtures or the like, incorporating my new design. FIG. 2 is a top plan view of FIG. 1.

FIG. 3 is a sectional view taken along the line 3—3 in FIG. 2.

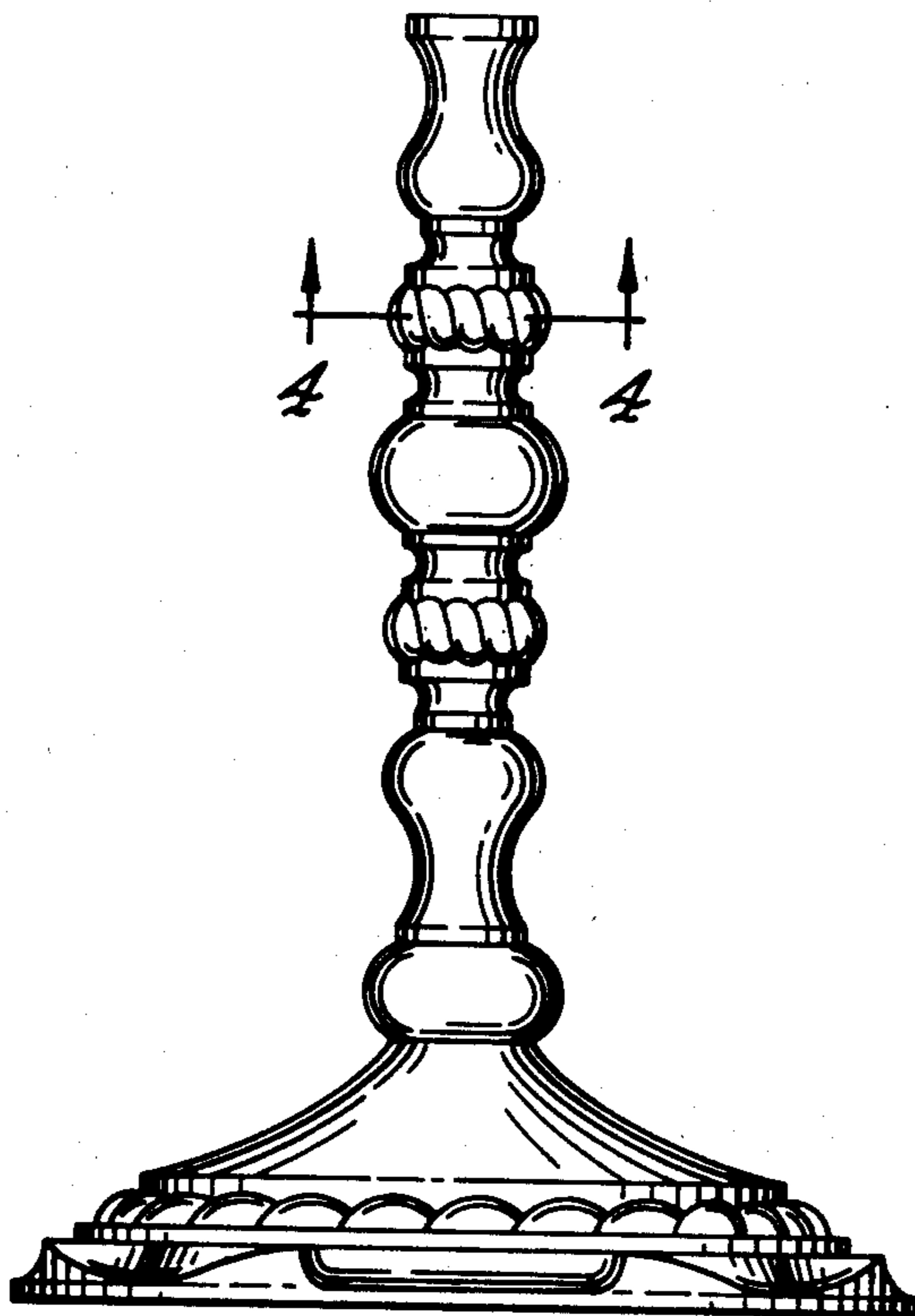
FIG. 4 is a sectional view taken along the line 4—4 in FIG. 1.

FIG. 5 is a side elevational view of a second embodiment of the design of FIG. 1, the only difference residing in the height of the upper portion of the pedestal.

[56] References Cited

U.S. PATENT DOCUMENTS

D. 29,877 12/1898 Miller et al. D48/2
D. 65,635 9/1924 Clement D6/194
D. 229,460 12/1973 Tegner D6/86



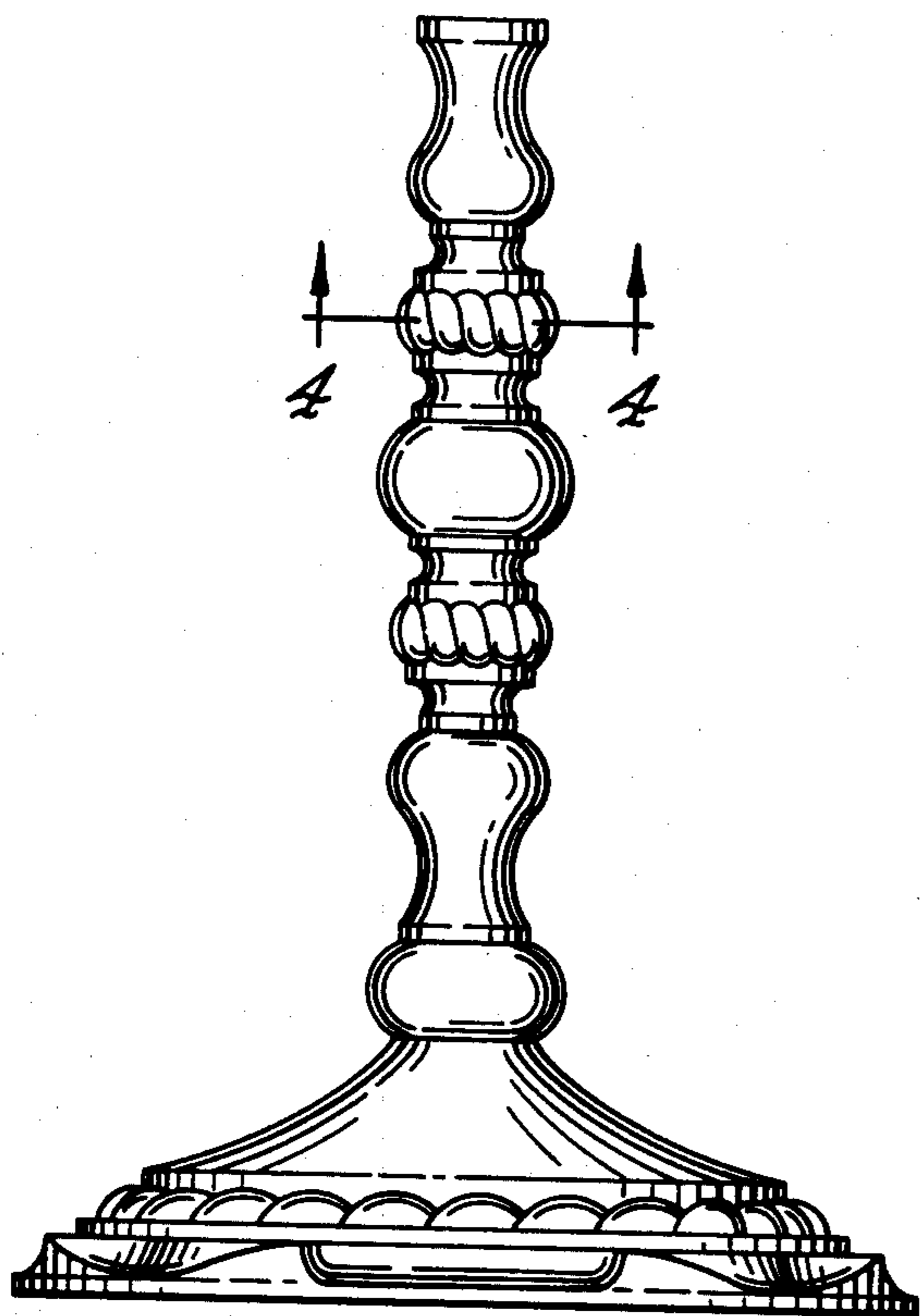


FIG. 1.

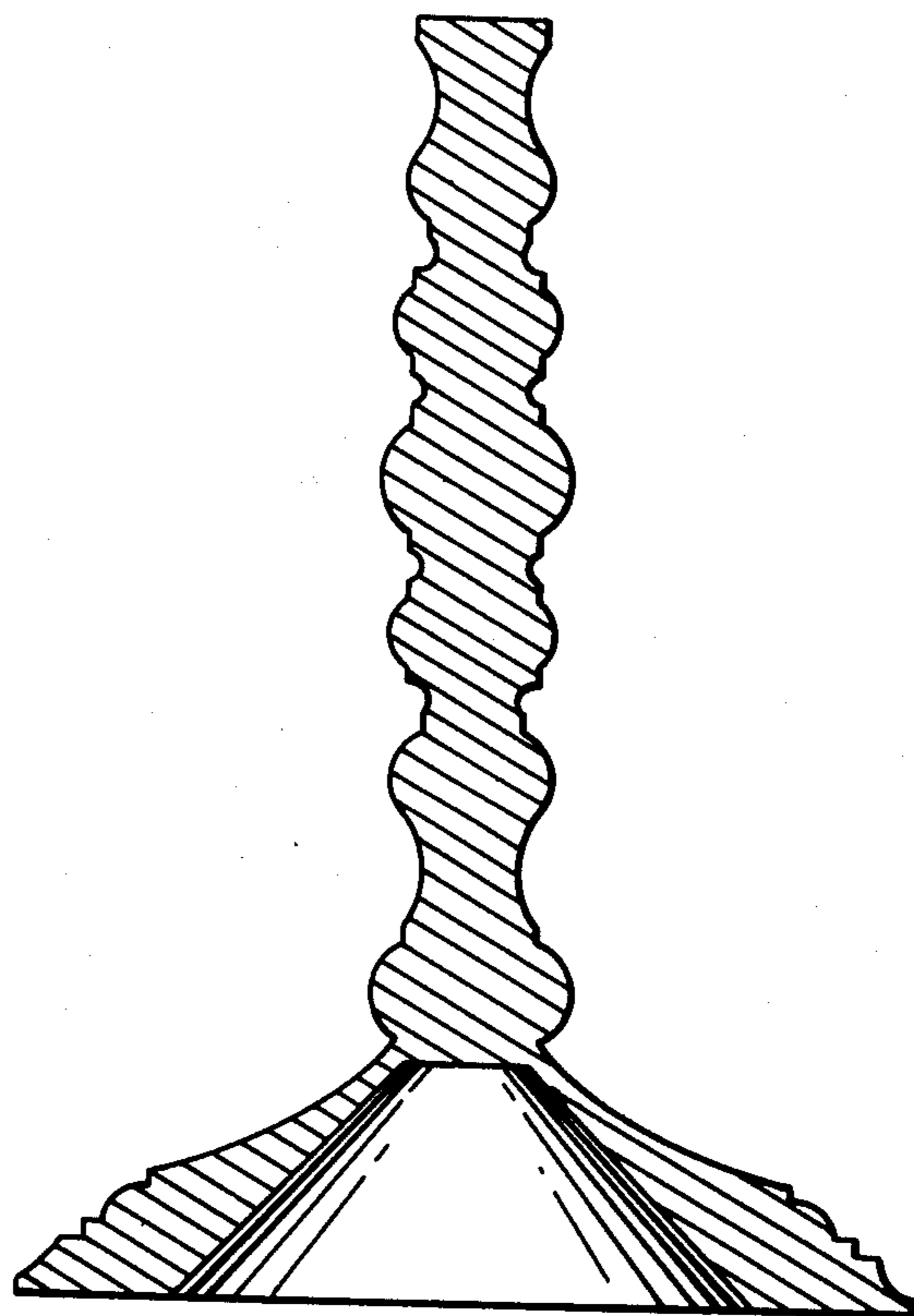


FIG. 3.

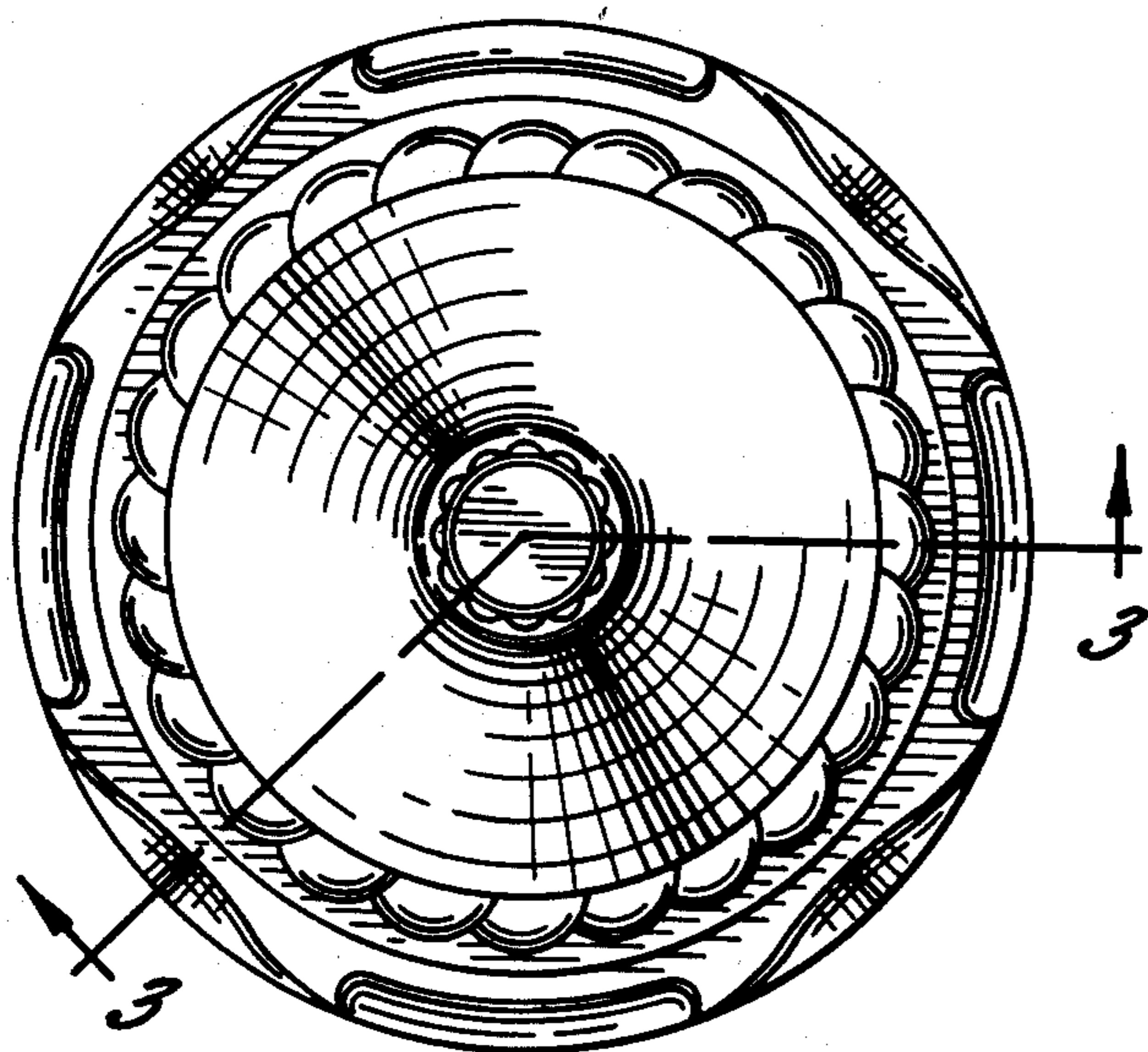


FIG. 2.

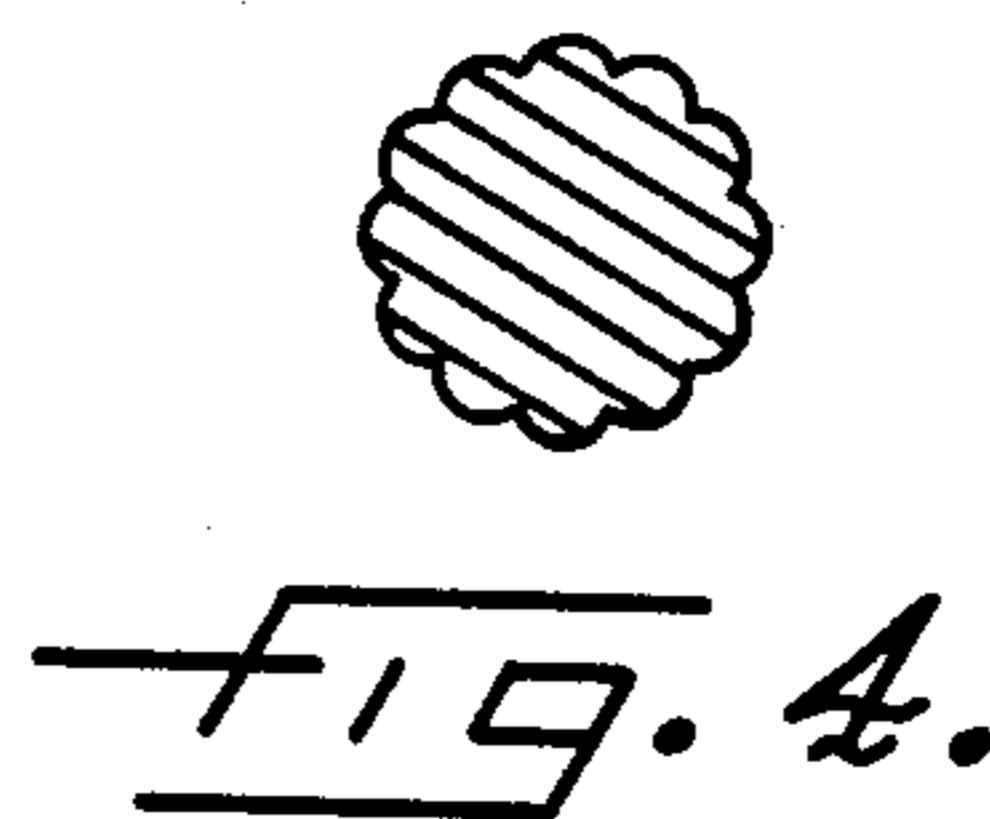


FIG. 4.

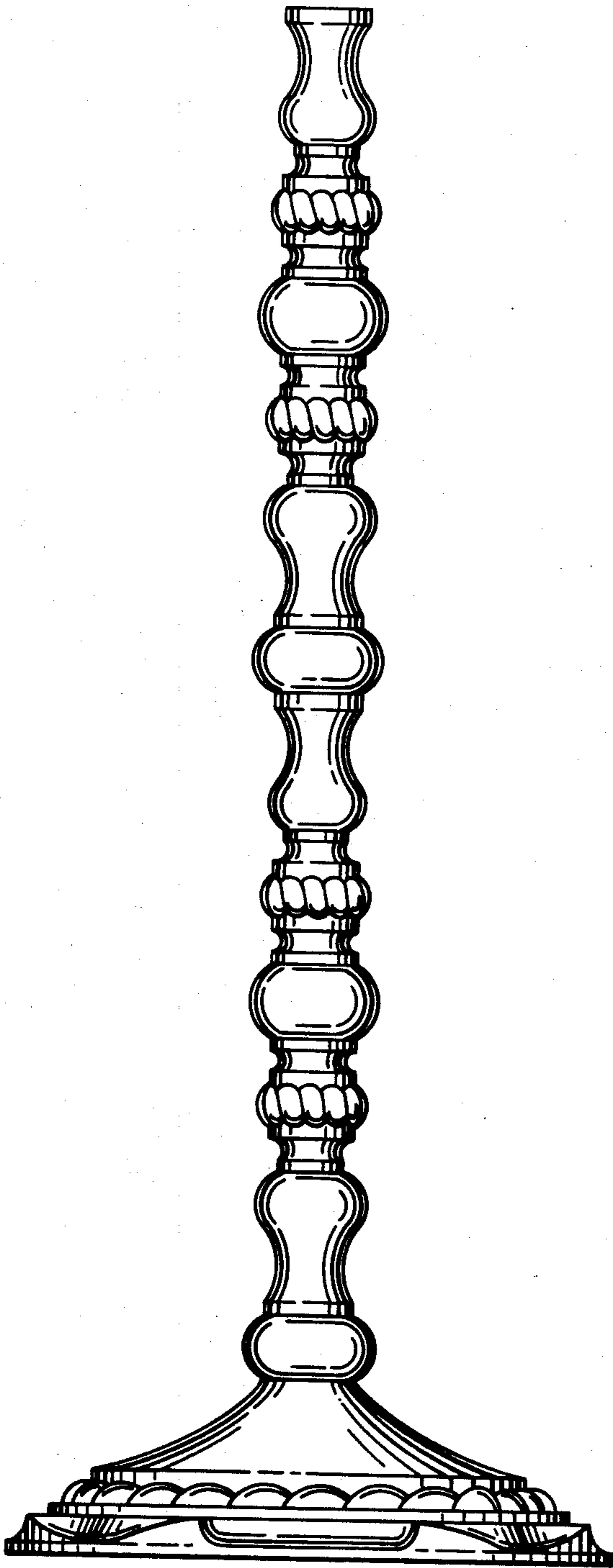


FIG. 5.