

[54] TOY CONSTRUCTION PIECE

[75] Inventor: Godtfred Kirk Christiansen, Billund, Denmark

[73] Assignee: Interlego A.G., Zug, Switzerland

[\*\*] Term: 3½ Years

[21] Appl. No.: 613,743

[22] Filed: Sept. 16, 1975

[30] Foreign Application Priority Data

Mar. 25, 1975 Denmark ..... 253/75

[51] Int. Cl. .... D21-01

[52] U.S. Cl. .... D34/15 GG

[58] Field of Search ..... D34/15 GG; 46/16-23, 46/30-31

[56]

References Cited

U.S. PATENT DOCUMENTS

2,841,919	7/1958	McNeill .....	46/30
3,594,940	7/1971	Yonezawa .....	46/30
3,603,025	9/1968	Heubl .....	46/30
D. 163,085	5/1951	Bishop .....	46/30
D. 231,706	5/1974	Christiansen .....	D34/15 GG

Primary Examiner—Joel Stearman  
Assistant Examiner—C. A. Rademaker  
Attorney, Agent, or Firm—Davidson C. Miller

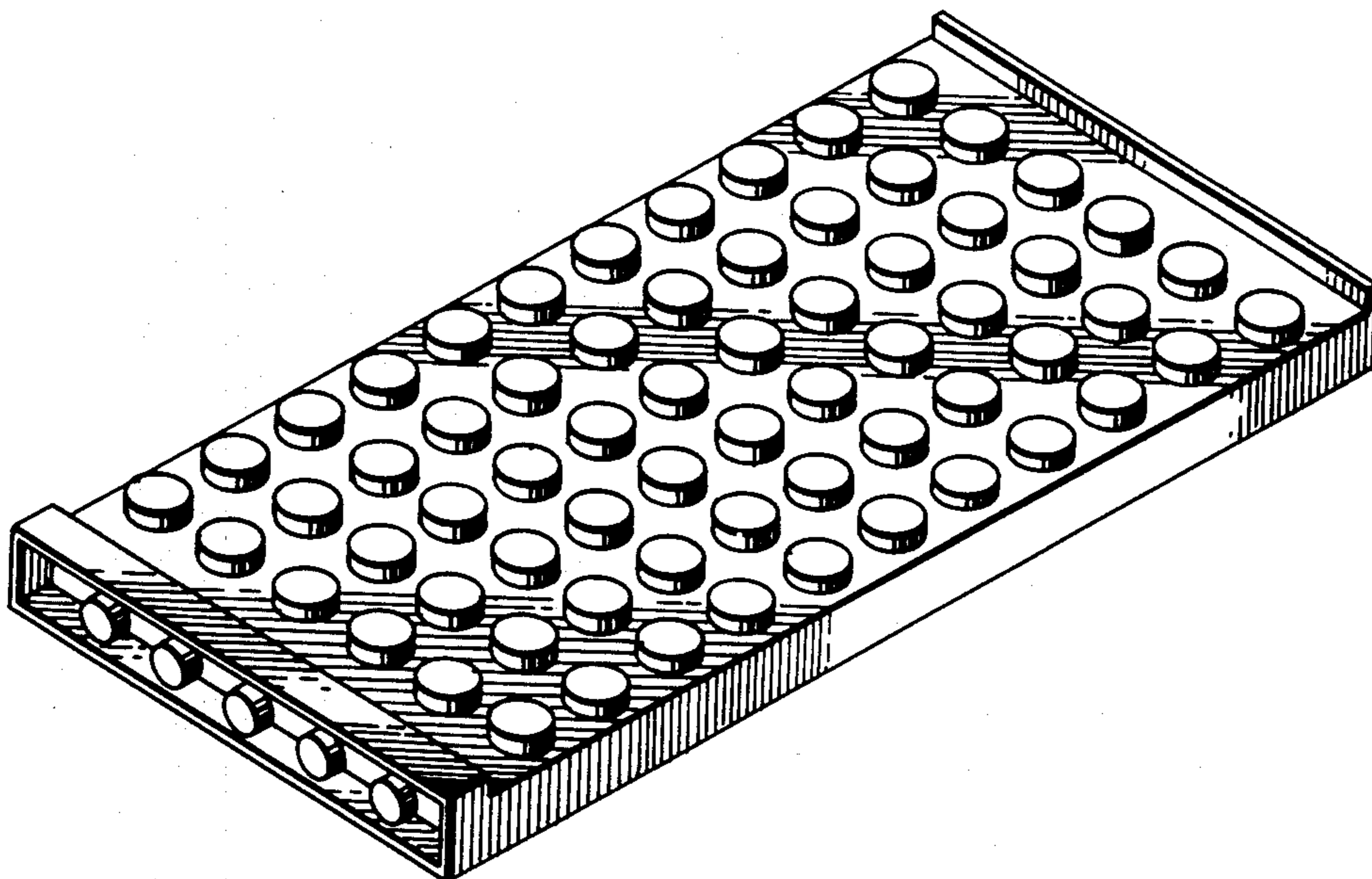
[57]

CLAIM

The design for a toy construction piece, as shown and described.

DESCRIPTION

FIG. 1 is a front and top perspective view of a toy construction piece showing my new design; and FIG. 2 is a rear and bottom perspective view thereof.



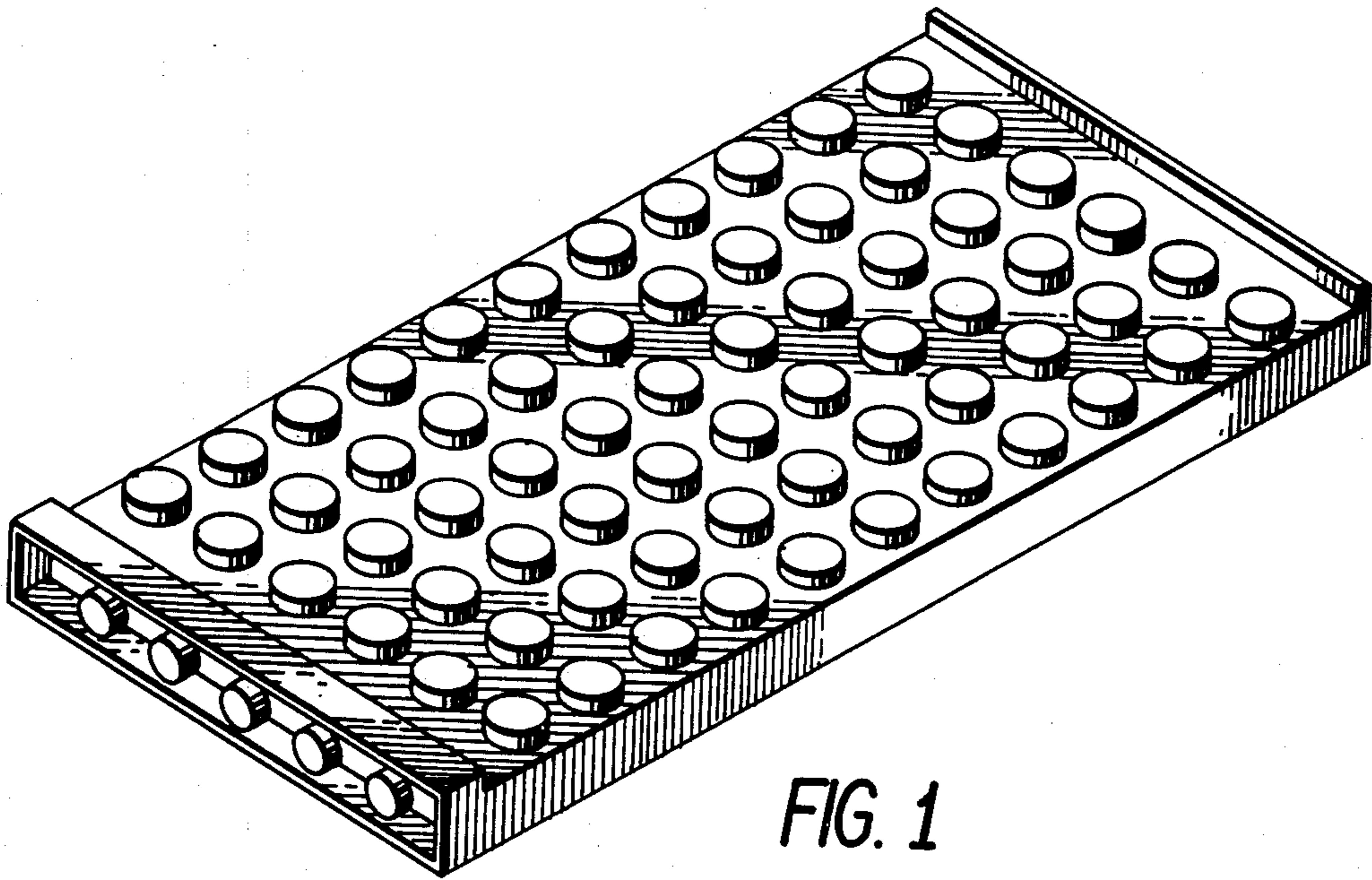


FIG. 1

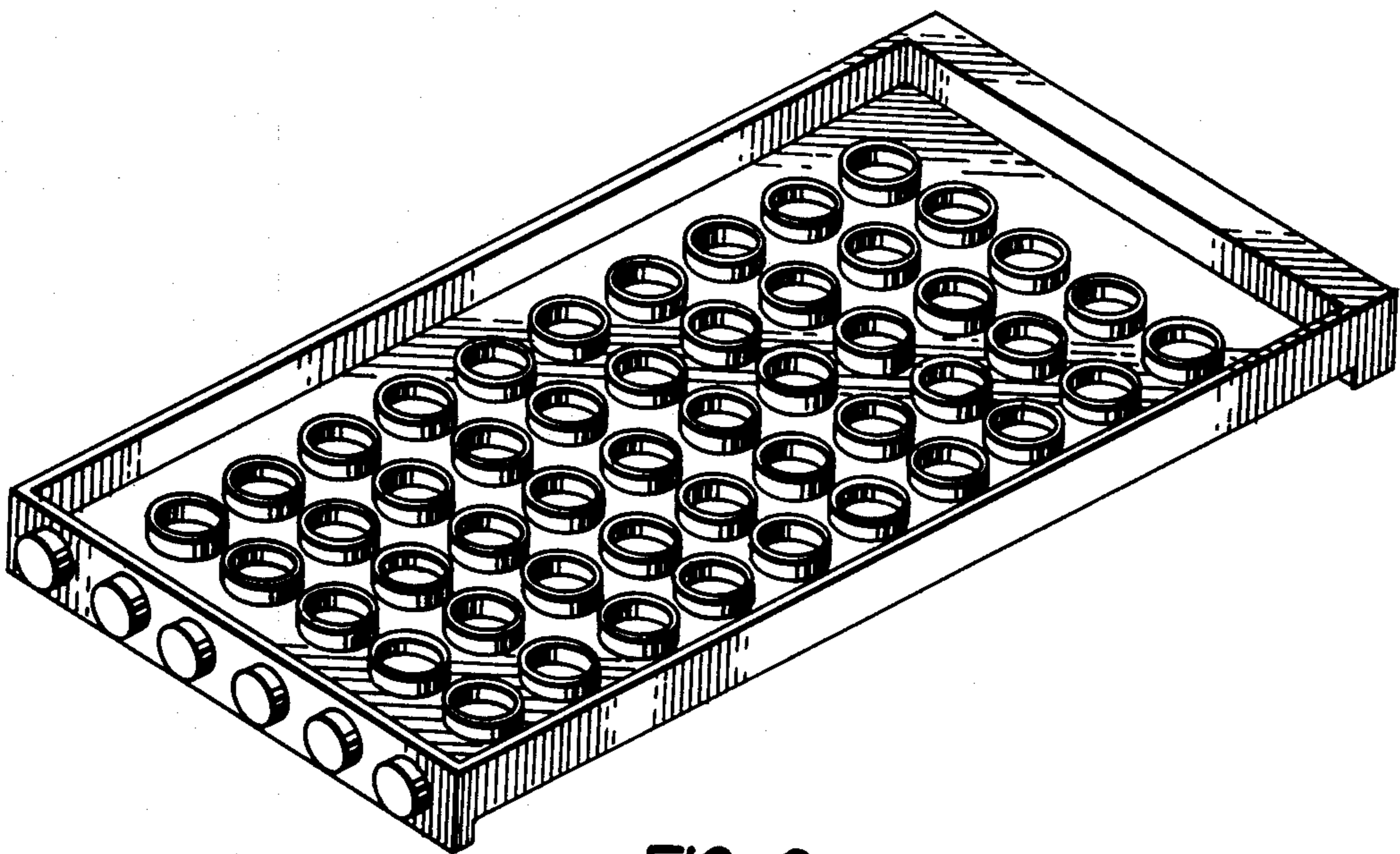


FIG. 2