

[54] POWER AMPLIFIER

[75] Inventor: Stuart Walter Sizer, Harbert, Mich.

[73] Assignee: Heath Company, Benton Harbor, Mich.

[**] Term: 14 Years

[21] Appl. No.: 626,506

[22] Filed: Oct. 28, 1975

[51] Int. Cl. D14-03

[52] U.S. Cl. D14/96

[58] Field of Search D26/14 L, 15 A; 174/52; 307/150, 152

[56] References Cited

U.S. PATENT DOCUMENTS

D. 201,083	5/1965	Roth	D26/15 A
D. 202,349	9/1965	Bisnett	D26/15 A
D. 223,368	4/1972	Horak	D26/14 L

D. 242,260 11/1976 Asai D26/14 L

OTHER PUBLICATIONS

Allied Electronics, © 1971, p. 394, Lectrotech, Solid State Power Supply.

Primary Examiner—Bernard Ansher
Attorney, Agent, or Firm—William R. Sherman

[57] CLAIM

The ornamental design for a power amplifier, substantially as shown and described.

DESCRIPTION

FIG. 1 is a perspective view of the power amplifier embodying my new design; FIG. 2 is a left side elevation view thereof, the right side being a mirror image of the side shown; FIG. 3 is a rear elevation view thereof; FIG. 4 is a front elevation view thereof; FIG. 5 is a top plan view thereof; and FIG. 6 is a bottom plan view thereof.

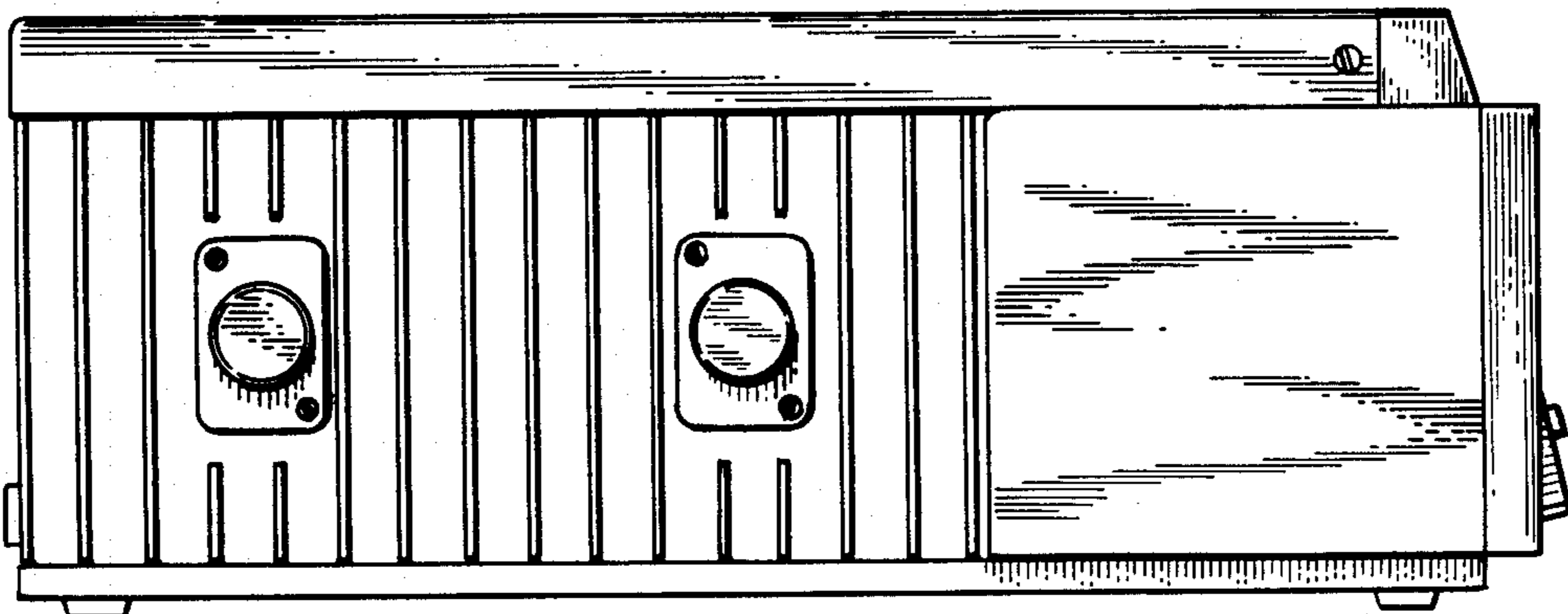
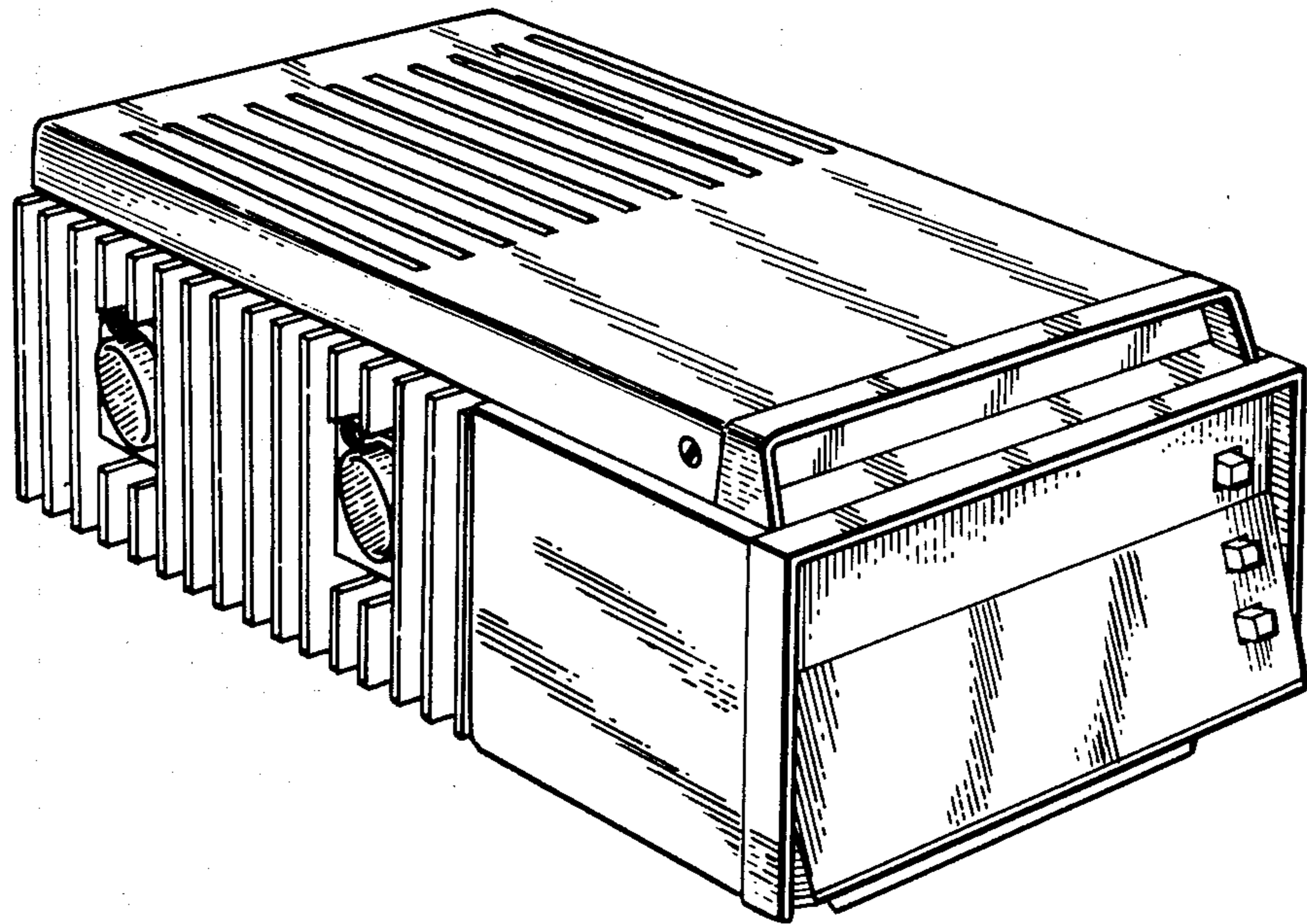


FIG. 1

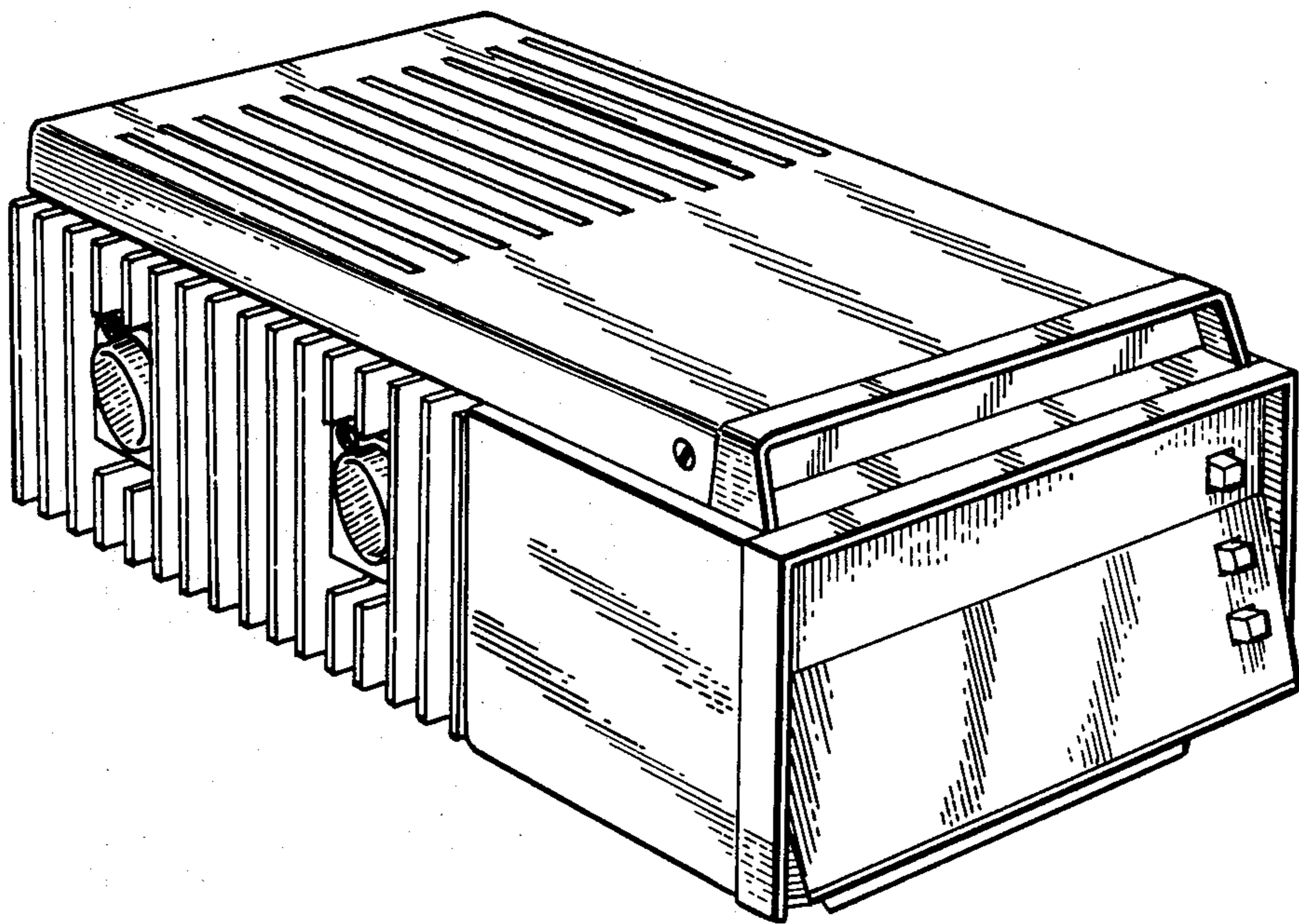


FIG. 2

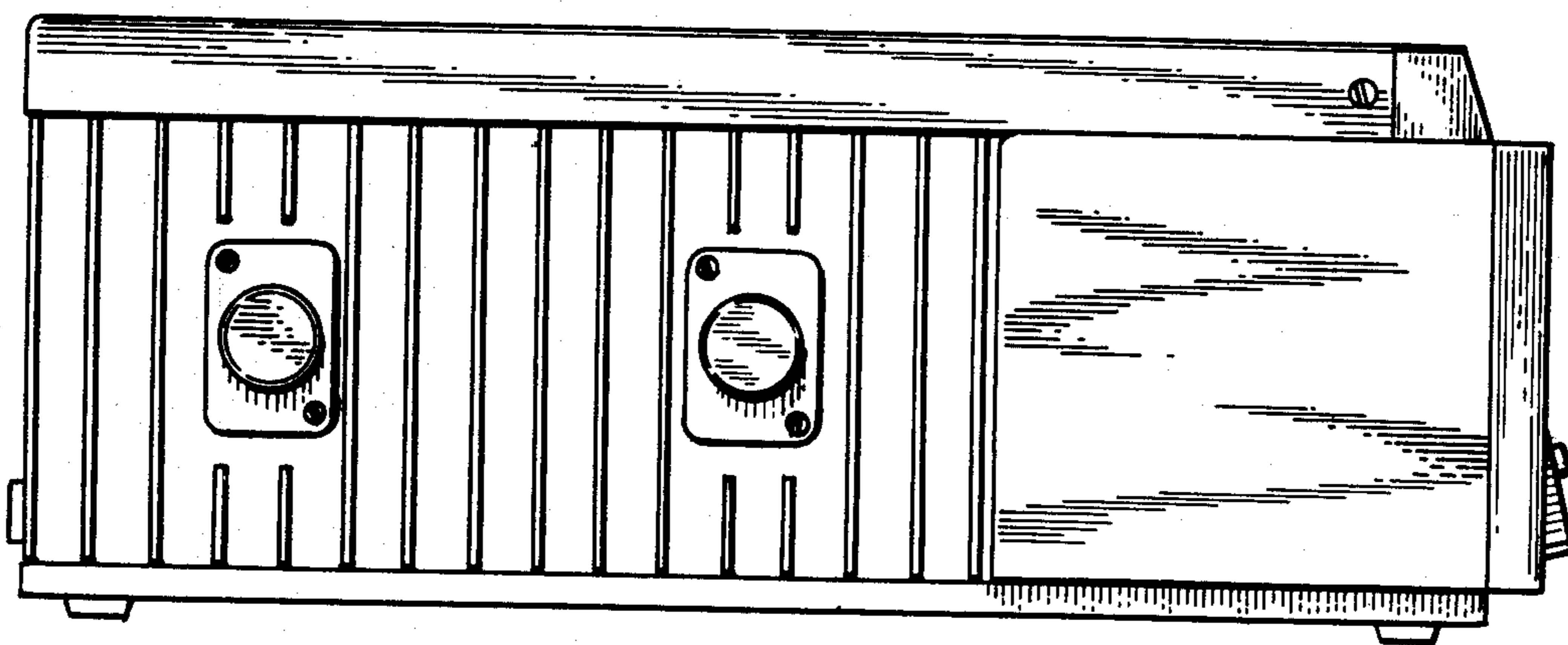


FIG. 3

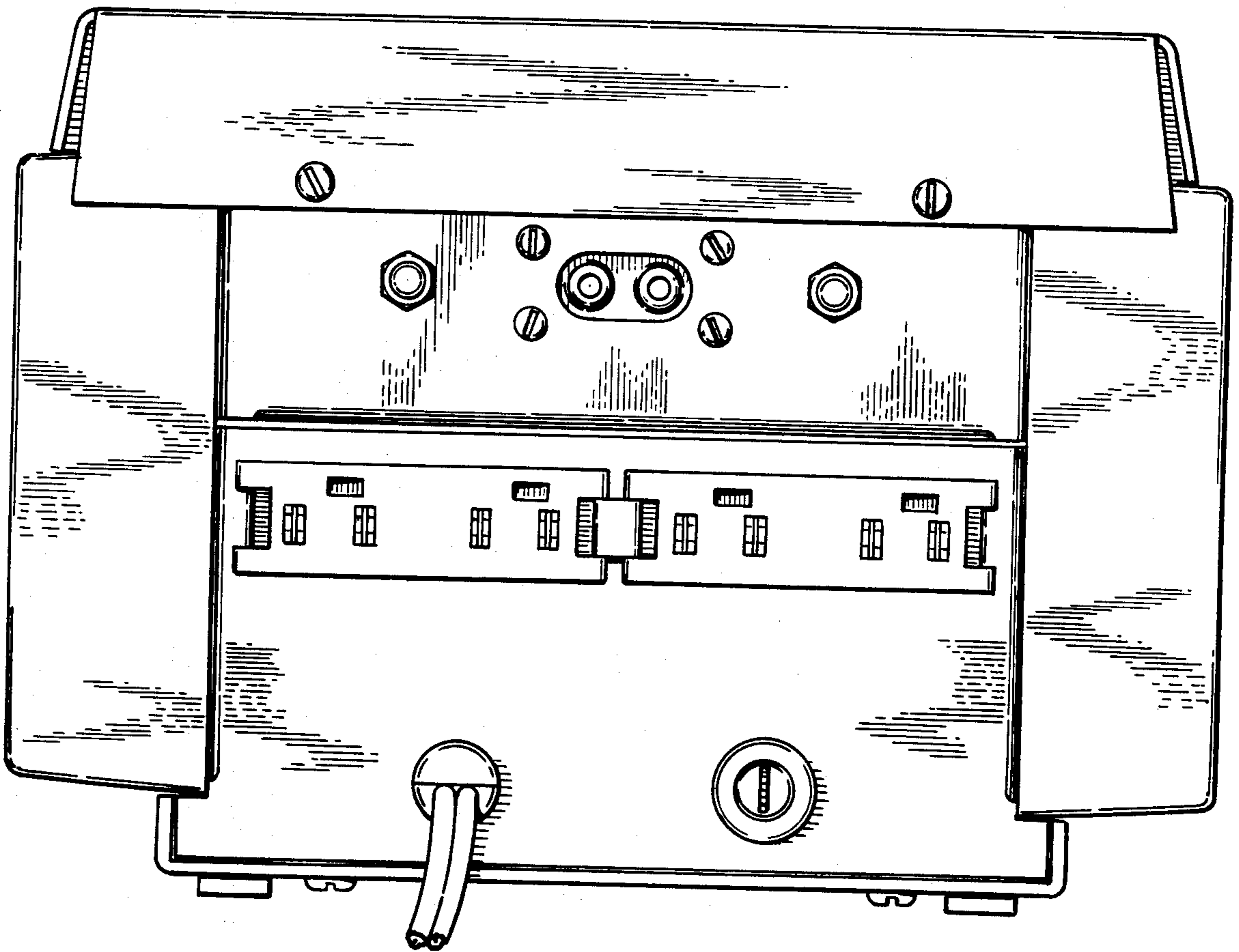


FIG. 4

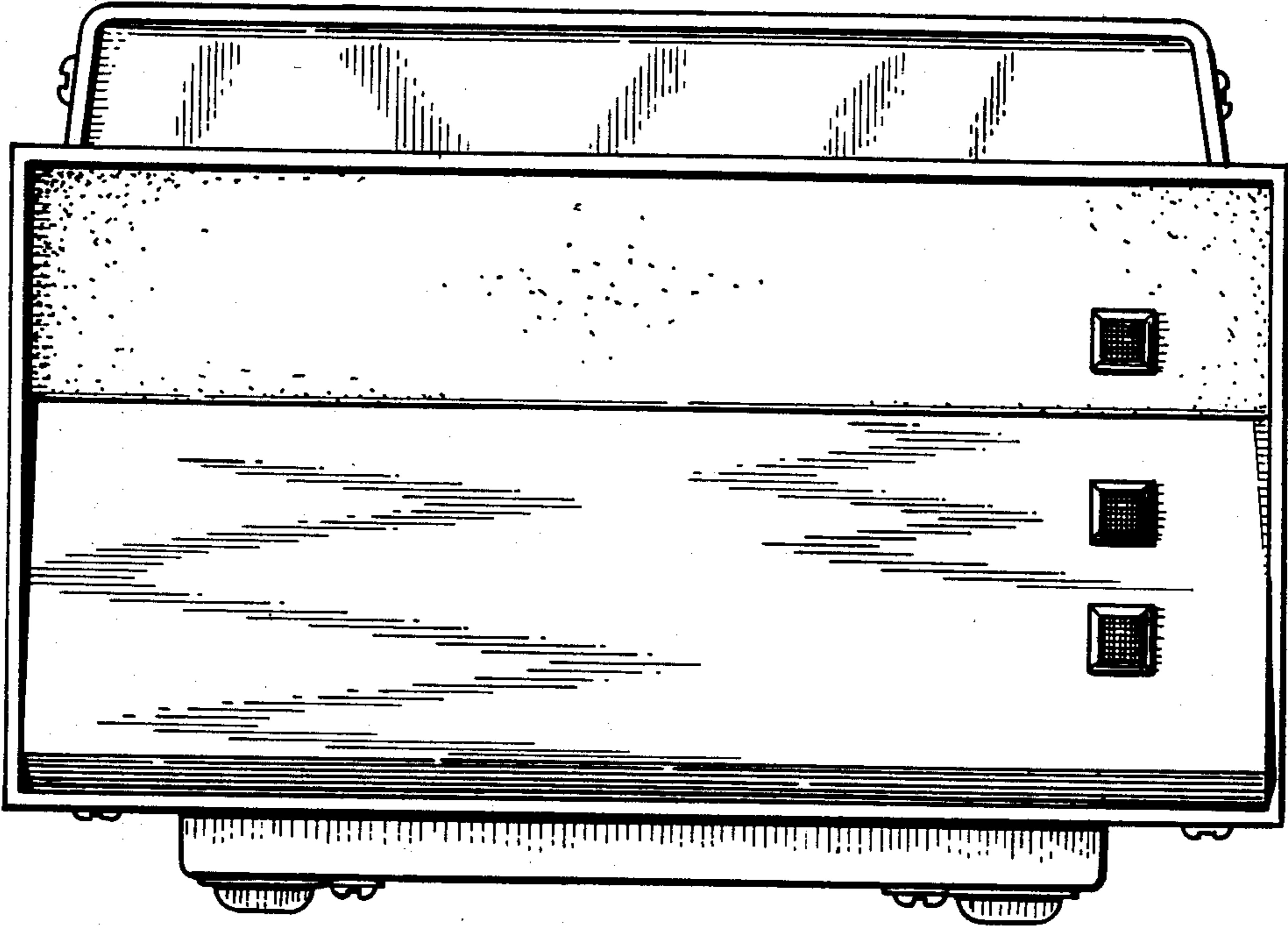


FIG. 5

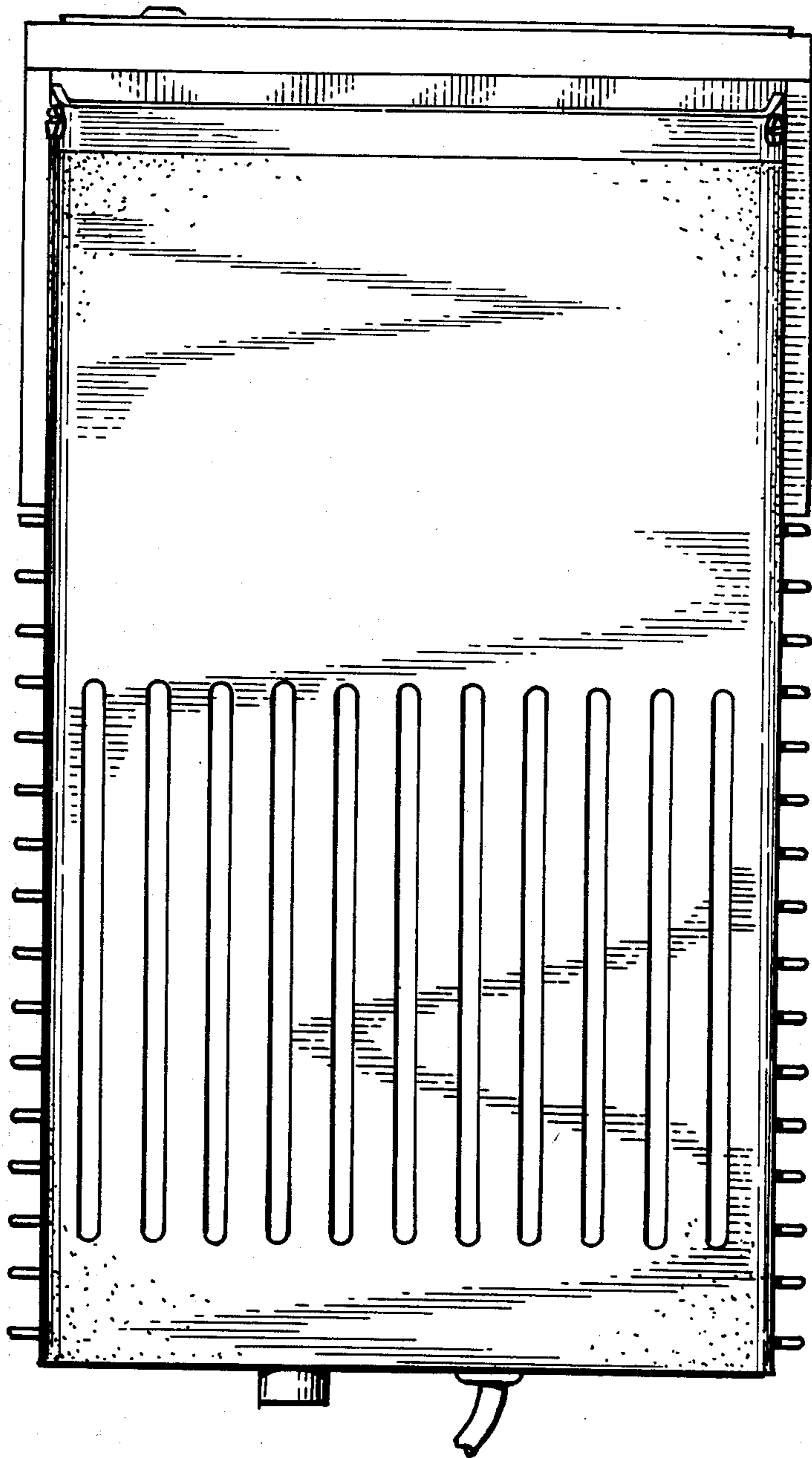


FIG. 6

