

- [54] ELECTRICAL ANGLE PLUG
- [75] Inventor: James J. Gietzen, Smithtown, N.Y.
- [73] Assignee: Dynamic Instrument Corporation, Hauppauge, N.Y.
- [**] Term: 7 Years
- [21] Appl. No.: 625,539
- [22] Filed: Oct. 24, 1975
- [51] Int. Cl. D13-03
- [52] U.S. Cl. D13/28
- [58] Field of Search D26/1 B; 339/153, 154, 339/183, 102 R, 218 R, 218 M, 195 R, 195 A, 196 R, 196 A, 28, 29 R, 191 C

[56]

References Cited

U.S. PATENT DOCUMENTS

2,530,415	11/1950	Wilson	339/183	X
2,813,144	11/1957	Valach	D26/1 B UX	
3,377,613	4/1968	Archer	339/191 R X	

3,626,360 12/1971 Cole 339/183

FOREIGN PATENT DOCUMENTS

1,166,725 11/1958 France 339/154 R

Primary Examiner—Wallace R. Burke
 Assistant Examiner—Catherine Kemper
 Attorney, Agent, or Firm—Eugene E. Geoffrey, Jr.

[57] CLAIM

The ornamental design for an electrical angle plug, as shown and described.

DESCRIPTION

- FIG. 1 is a perspective view of an electrical angle plug showing my new design.
- FIG. 2 is a side elevational view thereof shown on an enlarged scale.
- FIG. 3 is a front view thereof.
- FIG. 4 is a rear view thereof.
- FIG. 5 is a bottom view thereof.
- FIG. 6 is a top view thereof.

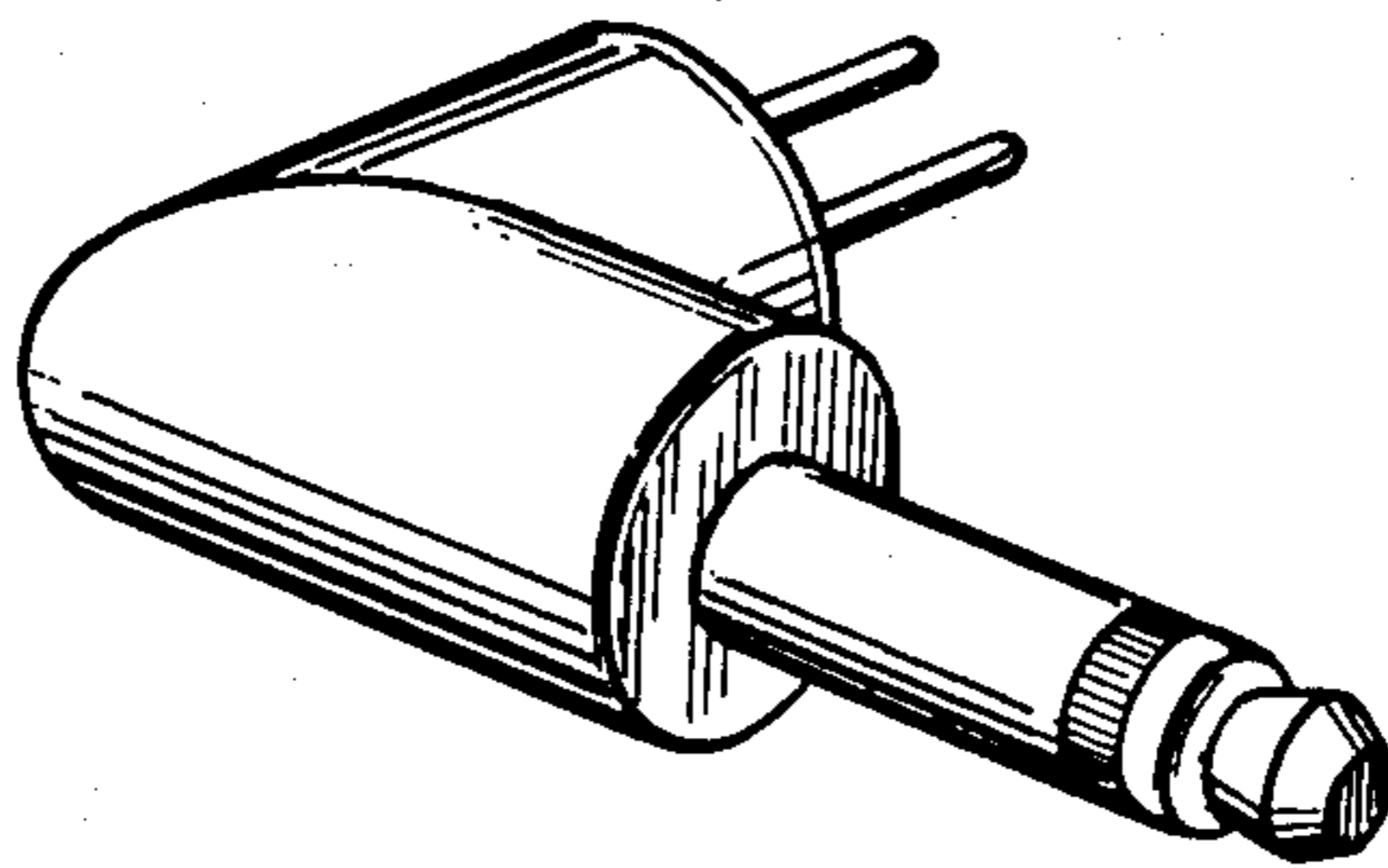


Fig. 1.

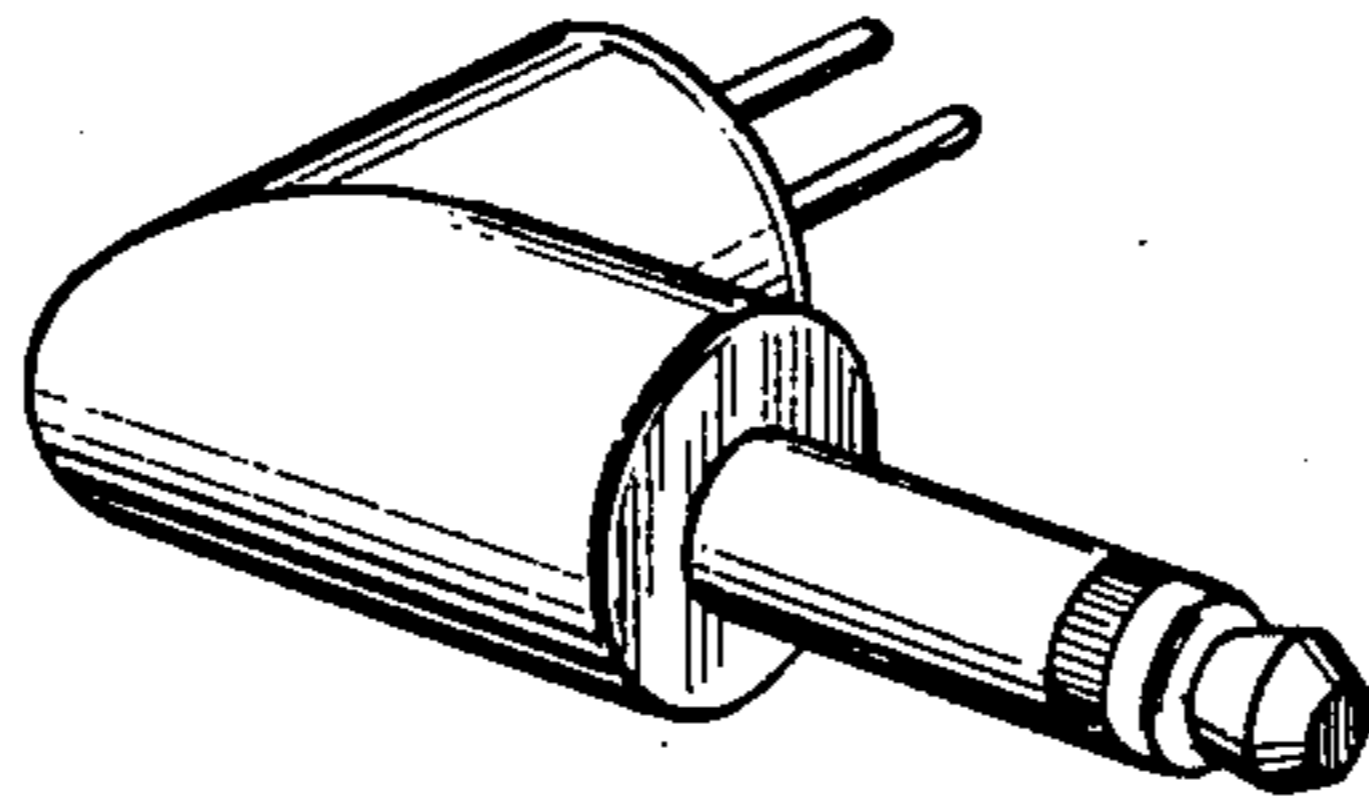


Fig. 2.

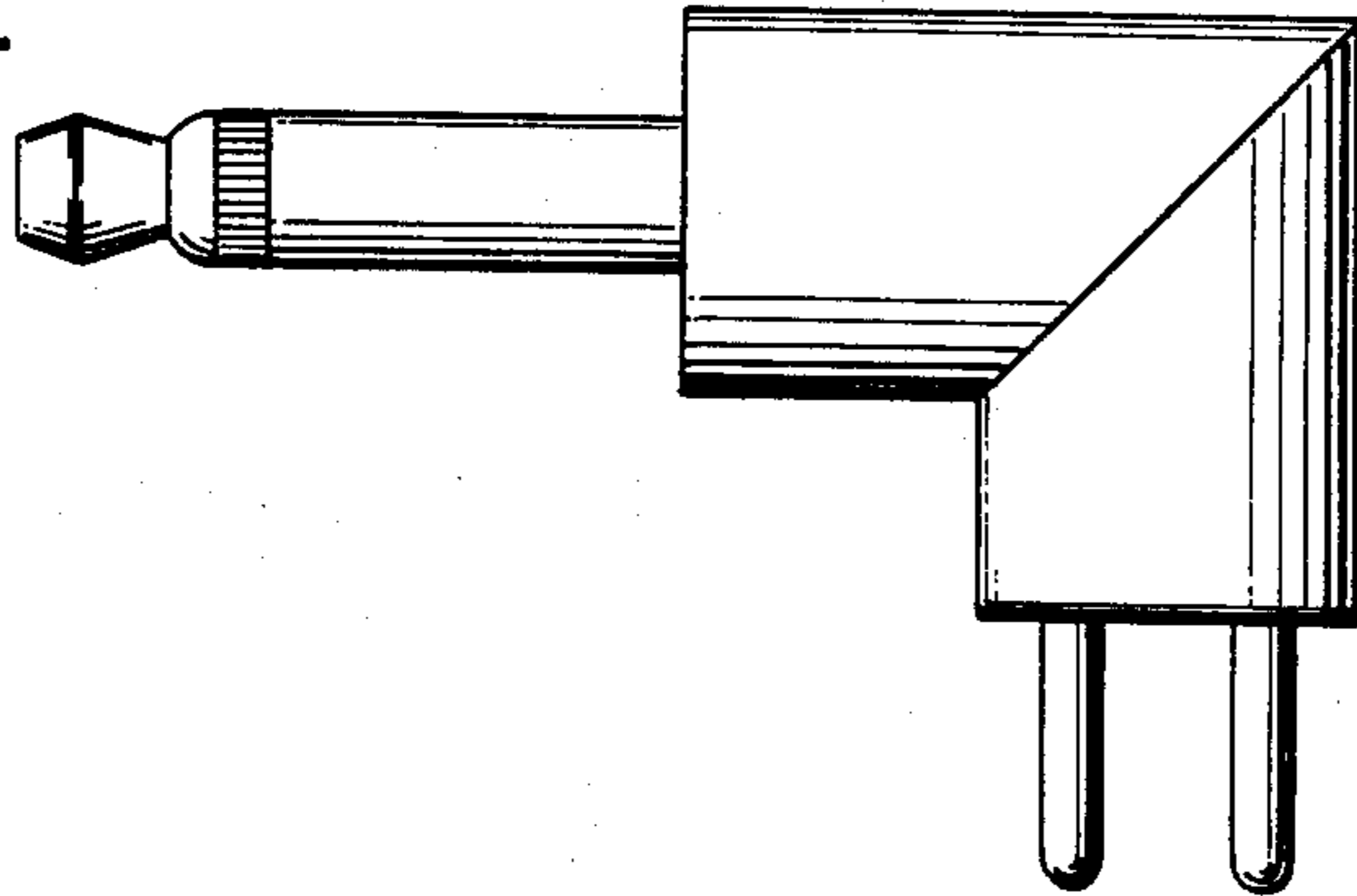


Fig. 3.

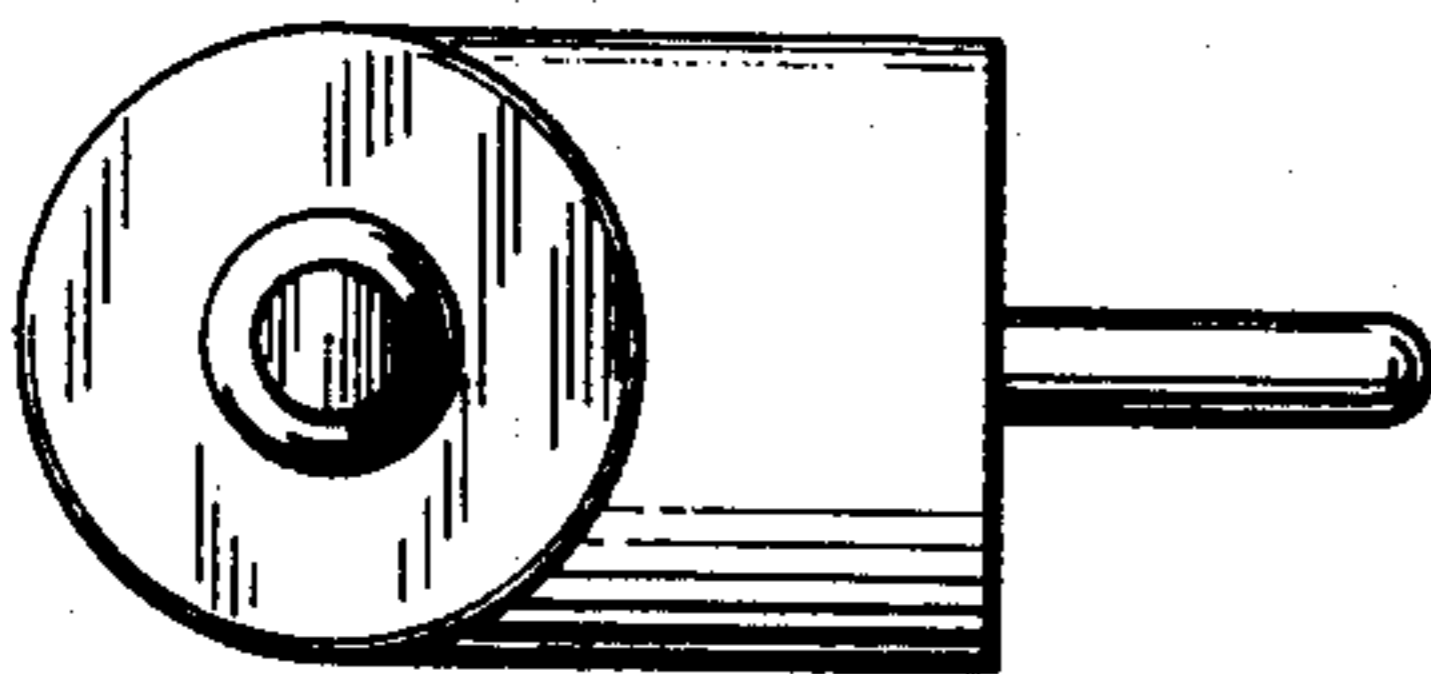


Fig. 4.

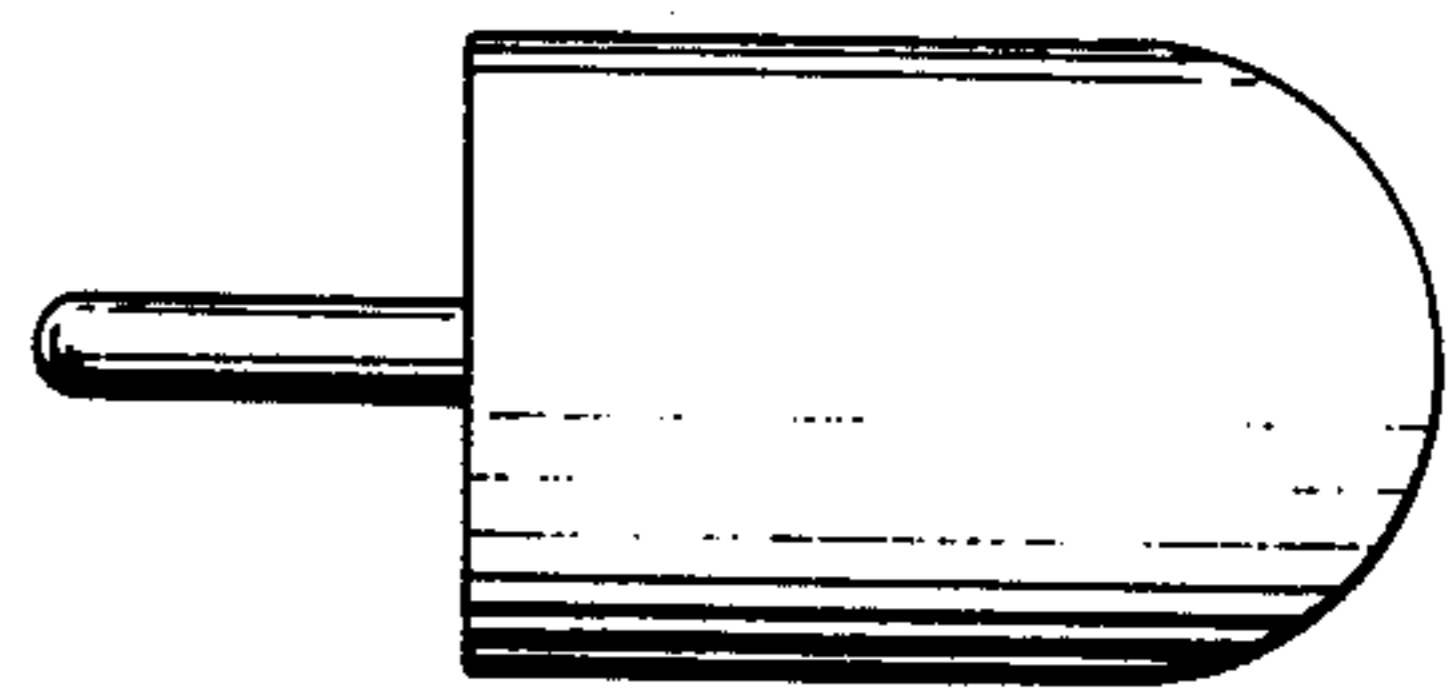


Fig. 5.

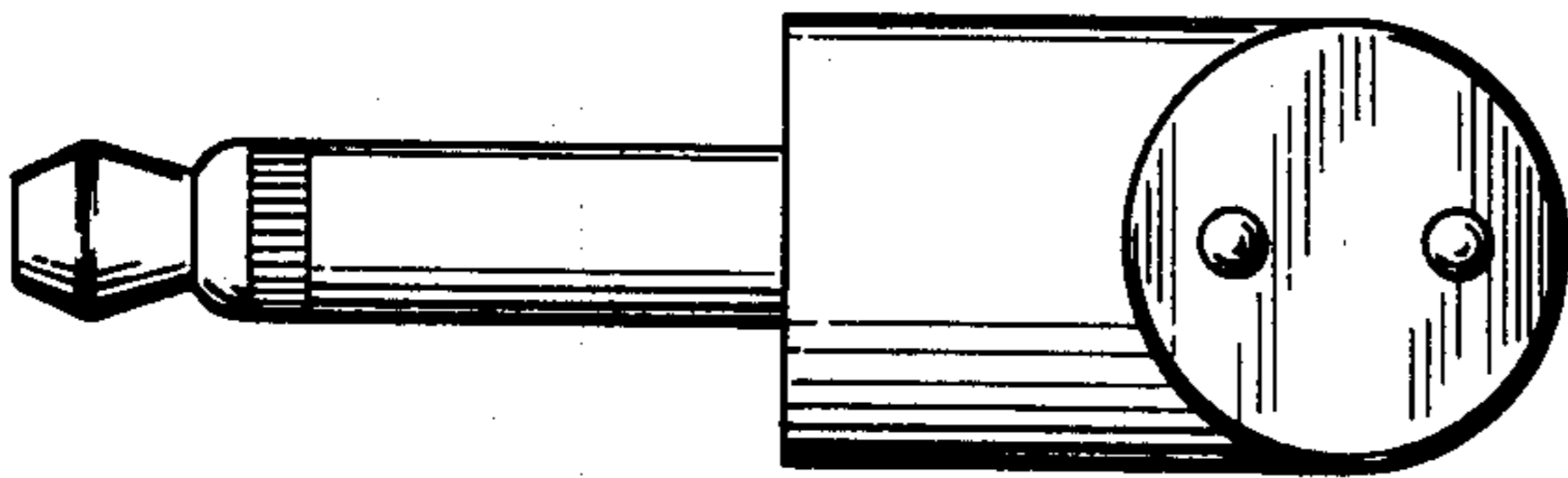


Fig. 6.

