

[54] SOLAR WATER HEATING UNIT

[75] Inventor: Harry John Riley, Perth, Australia

[73] Assignee: S. W. Hart & Co. Pty. Ltd., Australia

[\*\*] Term: 14 Years

[21] Appl. No.: 614,097

[22] Filed: Sept. 17, 1975

[30] Foreign Application Priority Data

July 29, 1975 Australia ..... 67470/75

[51] Int. Cl. .... D23-03

[52] U.S. Cl. .... D23/127

[58] Field of Search ..... D23/127, 72; 126/271

[56]

References Cited

U.S. PATENT DOCUMENTS

1,889,238 11/1932 Clark ..... 126/271

Primary Examiner—Alan P. Douglas

Attorney, Agent, or Firm—William Anthony Drucker

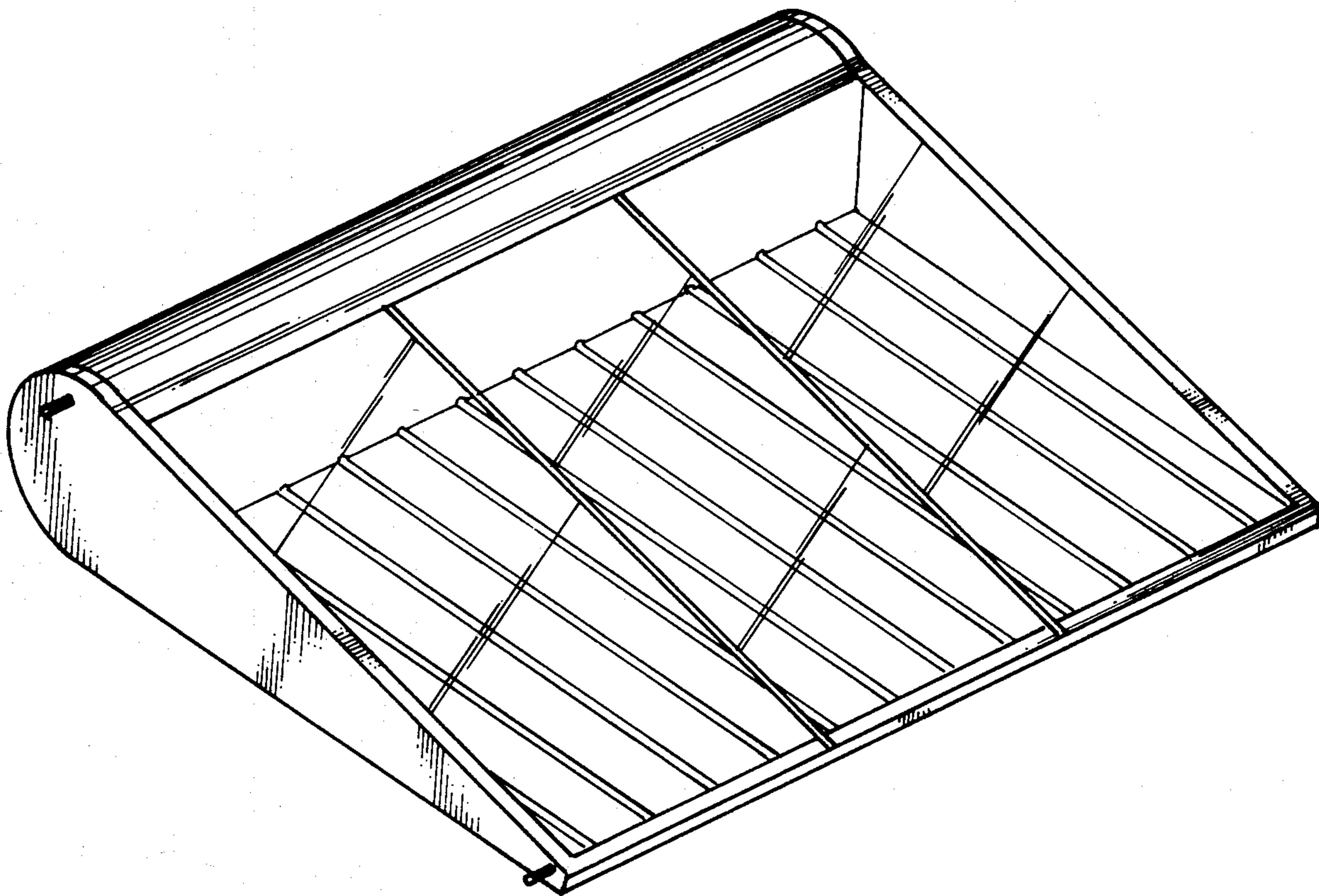
[57]

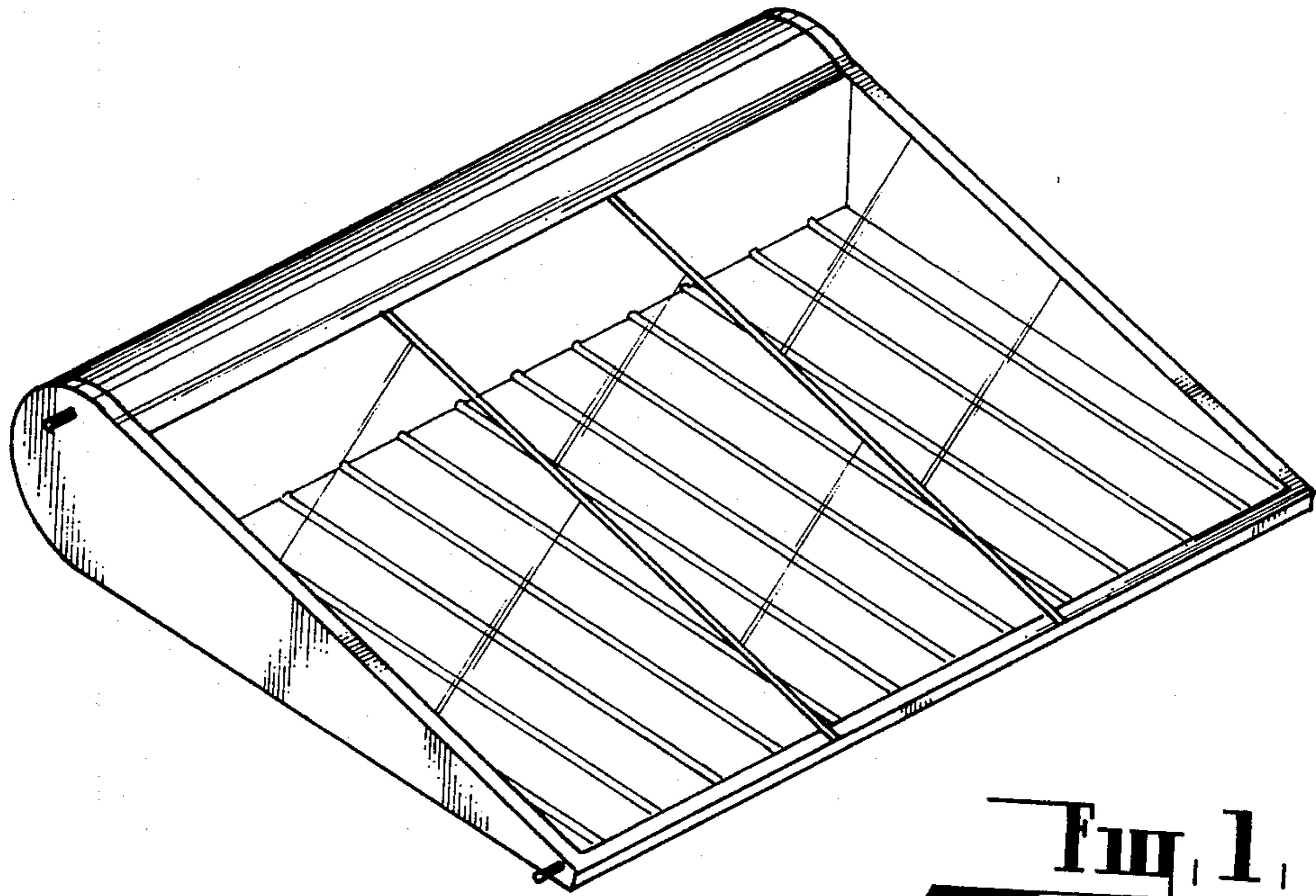
CLAIM

The ornamental design for a solar water heating unit, as shown.

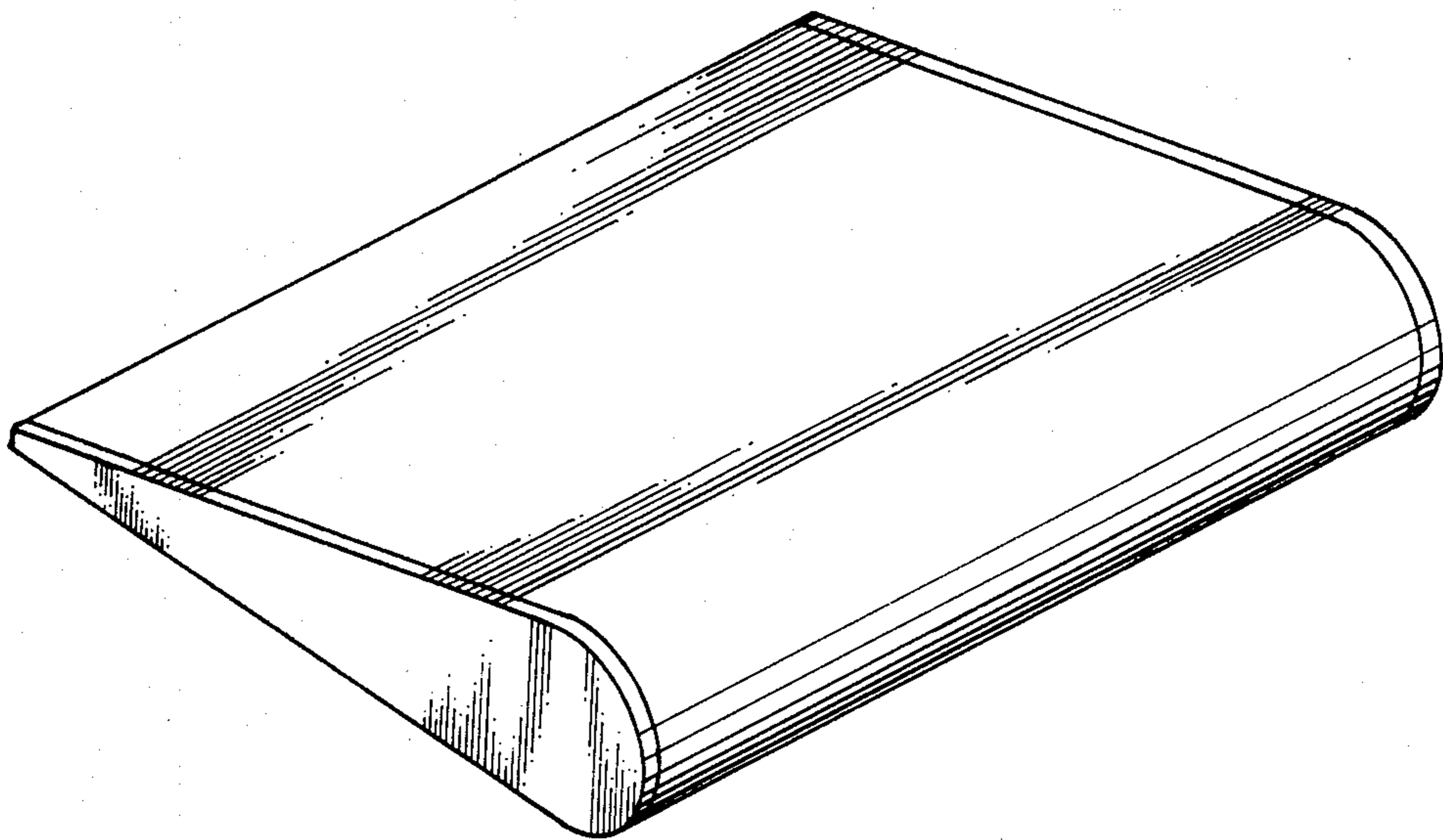
DESCRIPTION

FIG. 1 is a perspective view of the solar water heating unit in accordance with the present invention; and FIG. 2 is a perspective view of the underside of the invention.





**Fig. 1.**



**Fig. 2.**