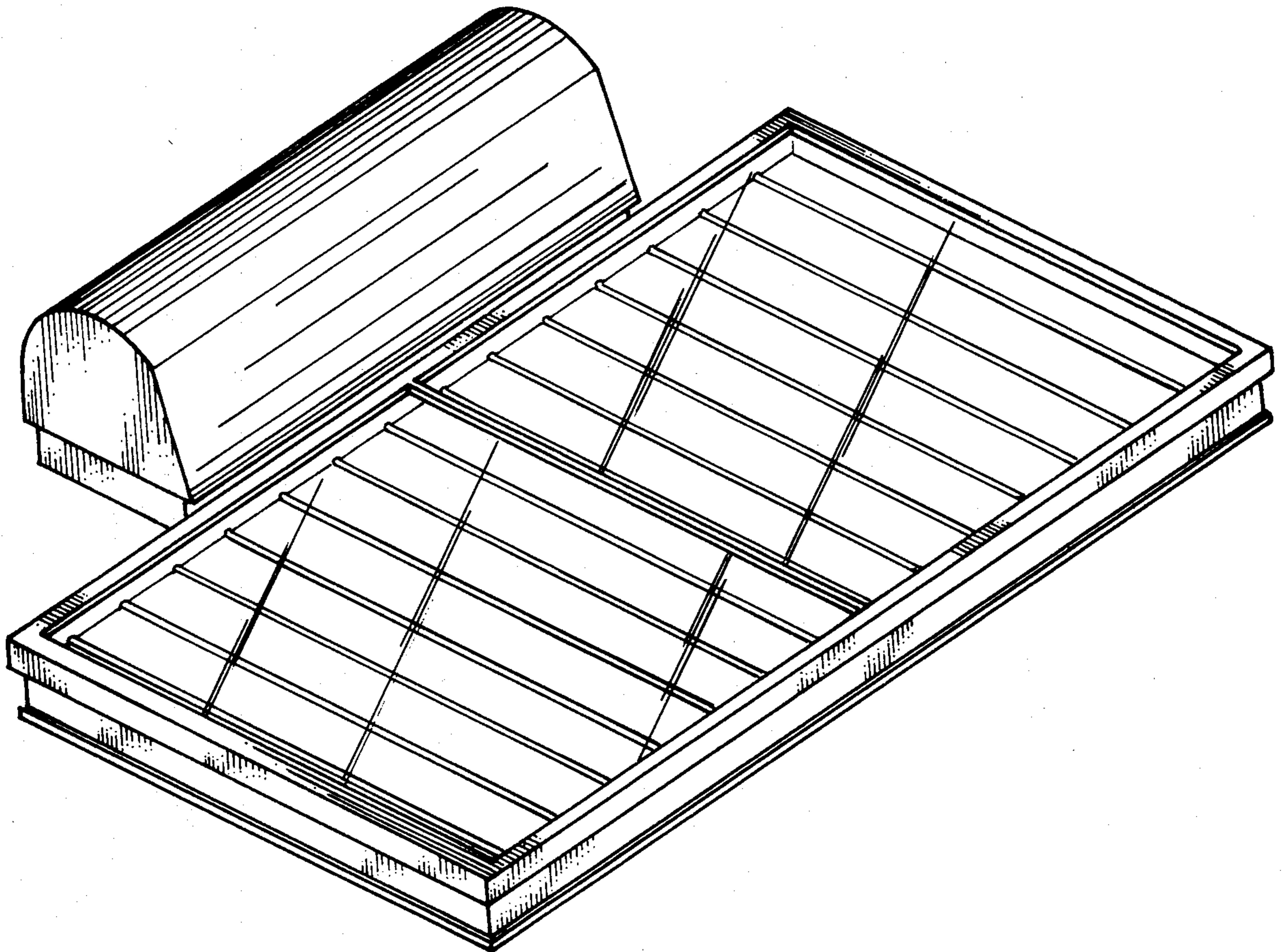


[54] **SOLAR WATER HEATING UNIT**
 [75] Inventor: **Harry John Riley**, Perth, Australia
 [73] Assignee: **S. W. Hart & Co. Pty. Ltd.**, Australia
 [**] Term: **14 Years**
 [21] Appl. No.: **614,096**
 [22] Filed: **Sept. 17, 1975**
 [30] **Foreign Application Priority Data**
 July 29, 1975 Australia 67473/75
 [51] Int. Cl. **D23-03**
 [52] U.S. Cl. **D23/127**
 [58] Field of Search **D23/127, 72; 126/271**

[56] **References Cited**
U.S. PATENT DOCUMENTS
 2,122,821 7/1938 Mohr 126/271
Primary Examiner—Alan P. Douglas
Attorney, Agent, or Firm—William Anthony Drucker

[57] **CLAIM**
 The ornamental design for a solar water heating unit, as shown.

DESCRIPTION
 FIG. 1 is a perspective view of the solar water heating unit in accordance with the present invention; and FIG. 2 is a perspective view of the underside of the invention.



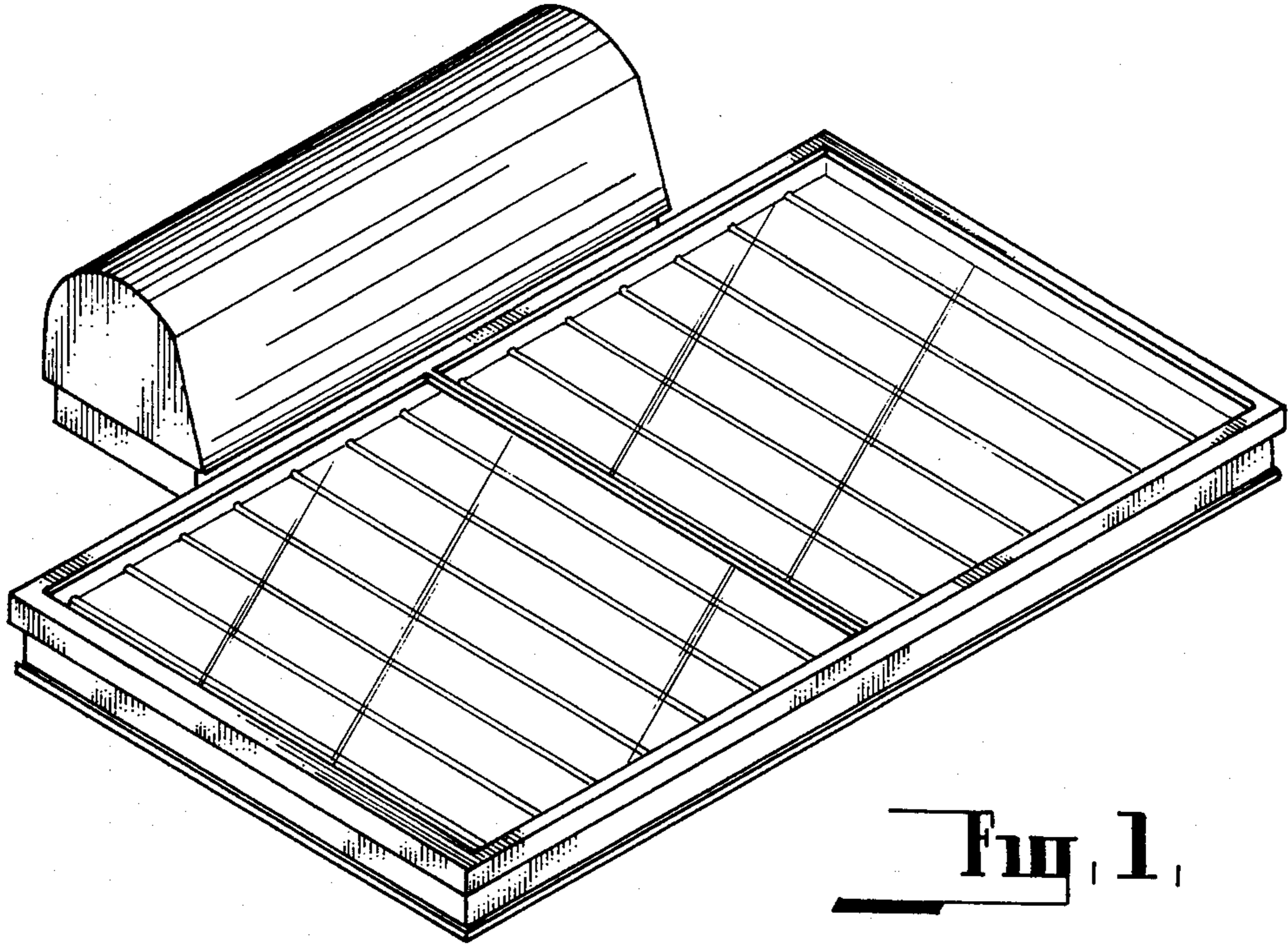


Fig. 1.

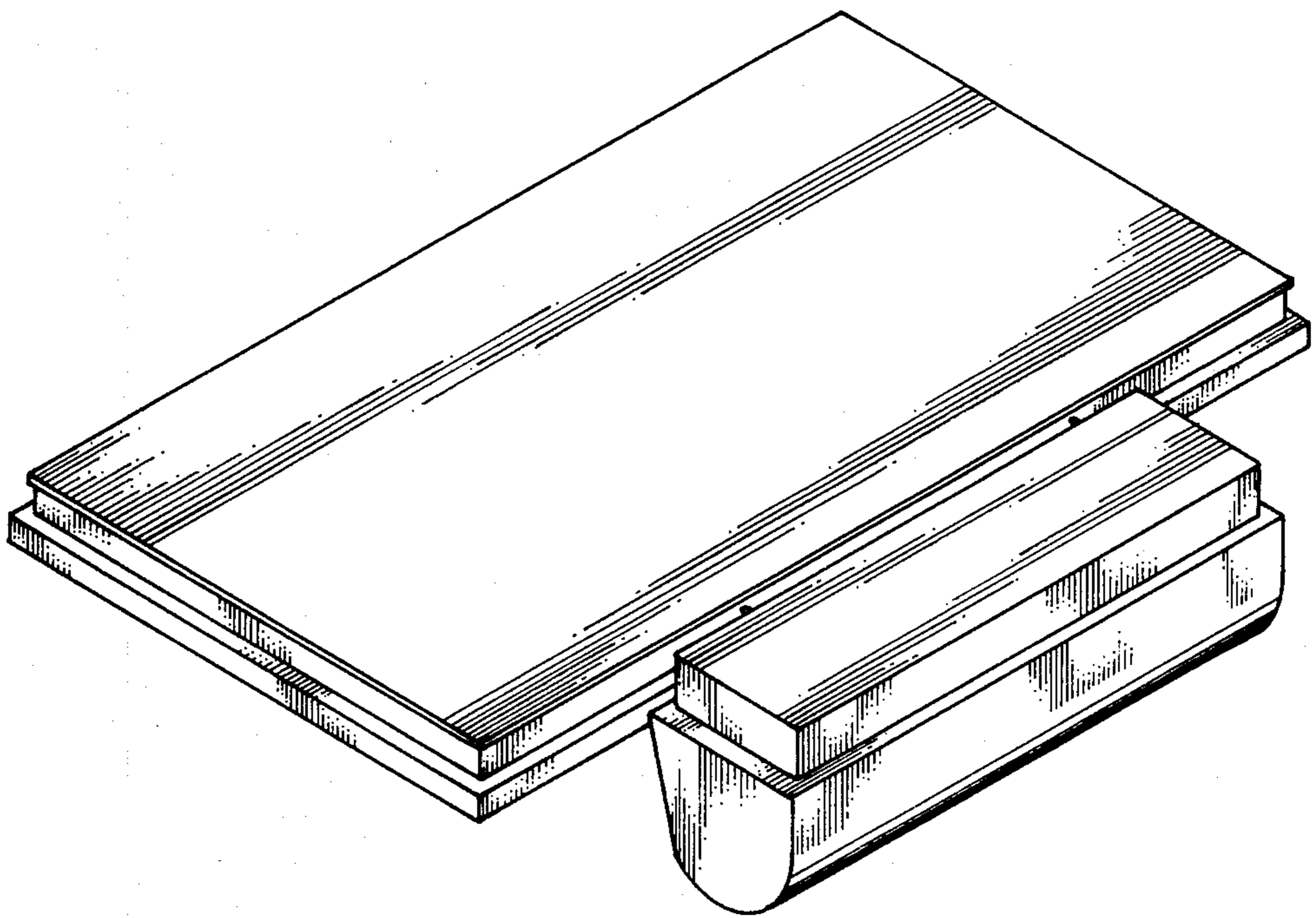


Fig. 2.