

[54] TIRE CHANGER OR SIMILAR ARTICLE

[75] Inventors: Charles L. Cunningham, Nashville; Jimmie L. Holladay, Antioch, both of Tenn.

[73] Assignee: The Coats Company, Inc., La Vergne, Tenn.

[**] Term: 14 Years

[21] Appl. No.: 708,707

[22] Filed: July 26, 1976

[51] Int. Cl. D15-99

[52] U.S. Cl. D15/199

[58] Field of Search D15/199; 157/1.24

[56]

References Cited

U.S. PATENT DOCUMENTS

D. 224,916 10/1972 Houston D15/199

Primary Examiner—Alan P. Douglas
Attorney, Agent, or Firm—Ernest A. Wegner

[57]

CLAIM

The ornamental design for a tire changer or similar article, substantially as shown and described.

DESCRIPTION

FIG. 1 is a perspective view of the top, rear and adjacent side of the tire changer or similar article showing our new design;

FIG. 2 is a top plan view;

FIG. 3 is an elevational view of the front of the tire changer; and

FIG. 4 is an elevational view of the side of the tire changer opposite from the side shown in FIG. 1.

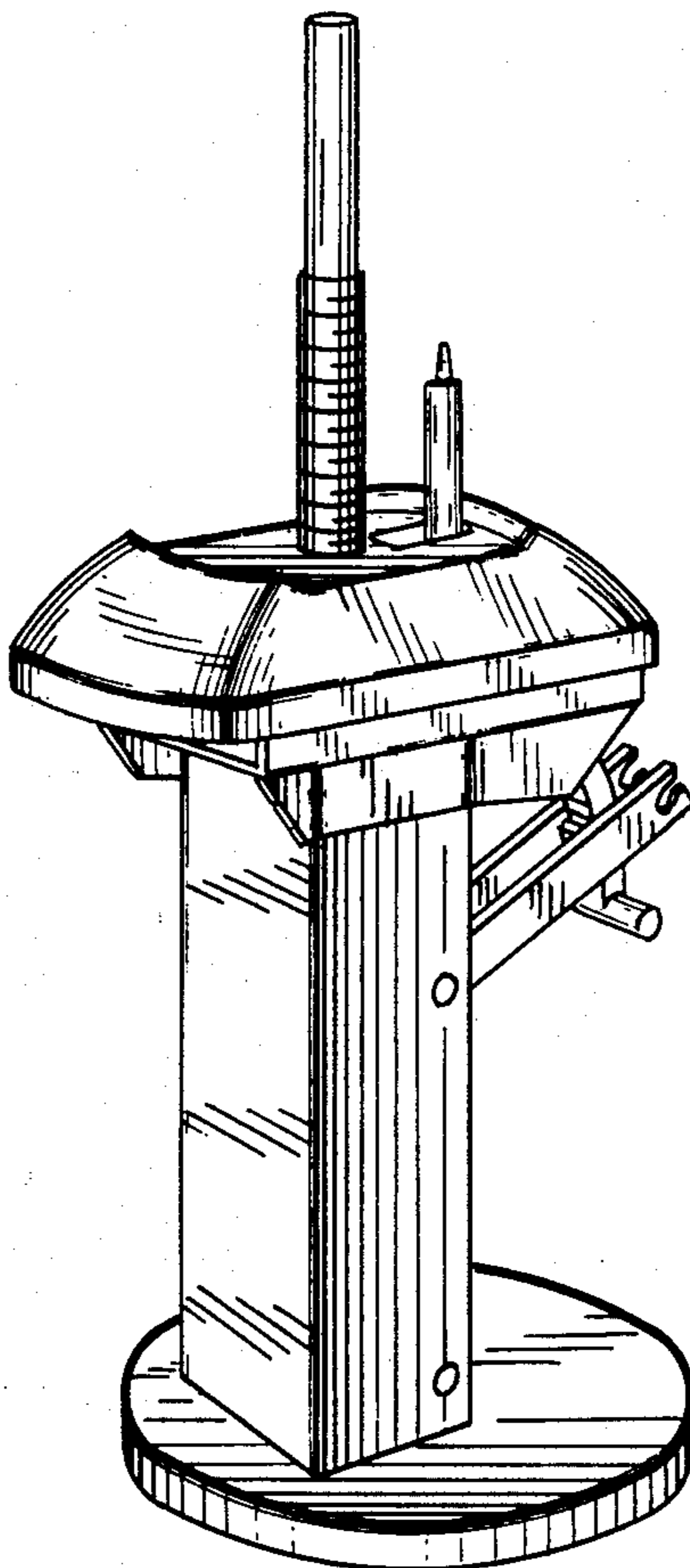


FIG. 1.

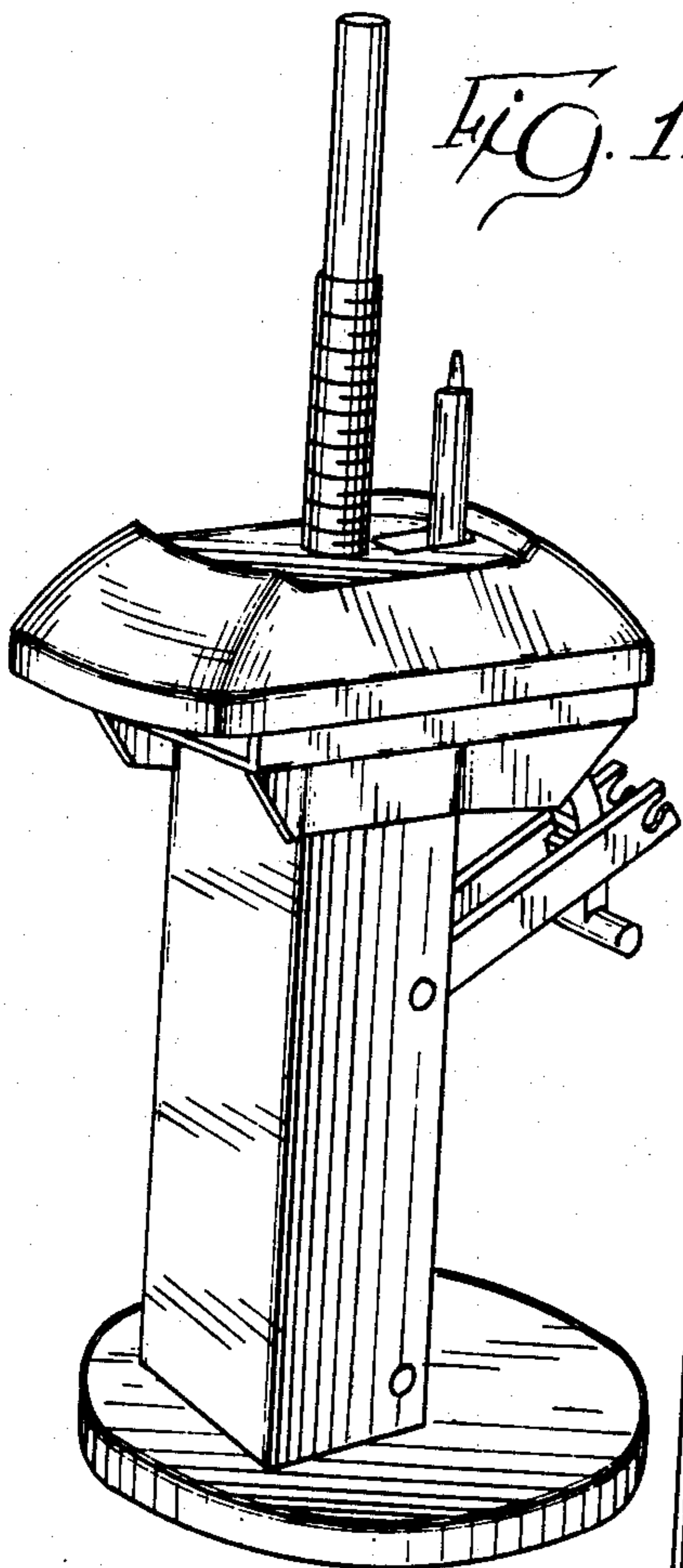


FIG. 2.

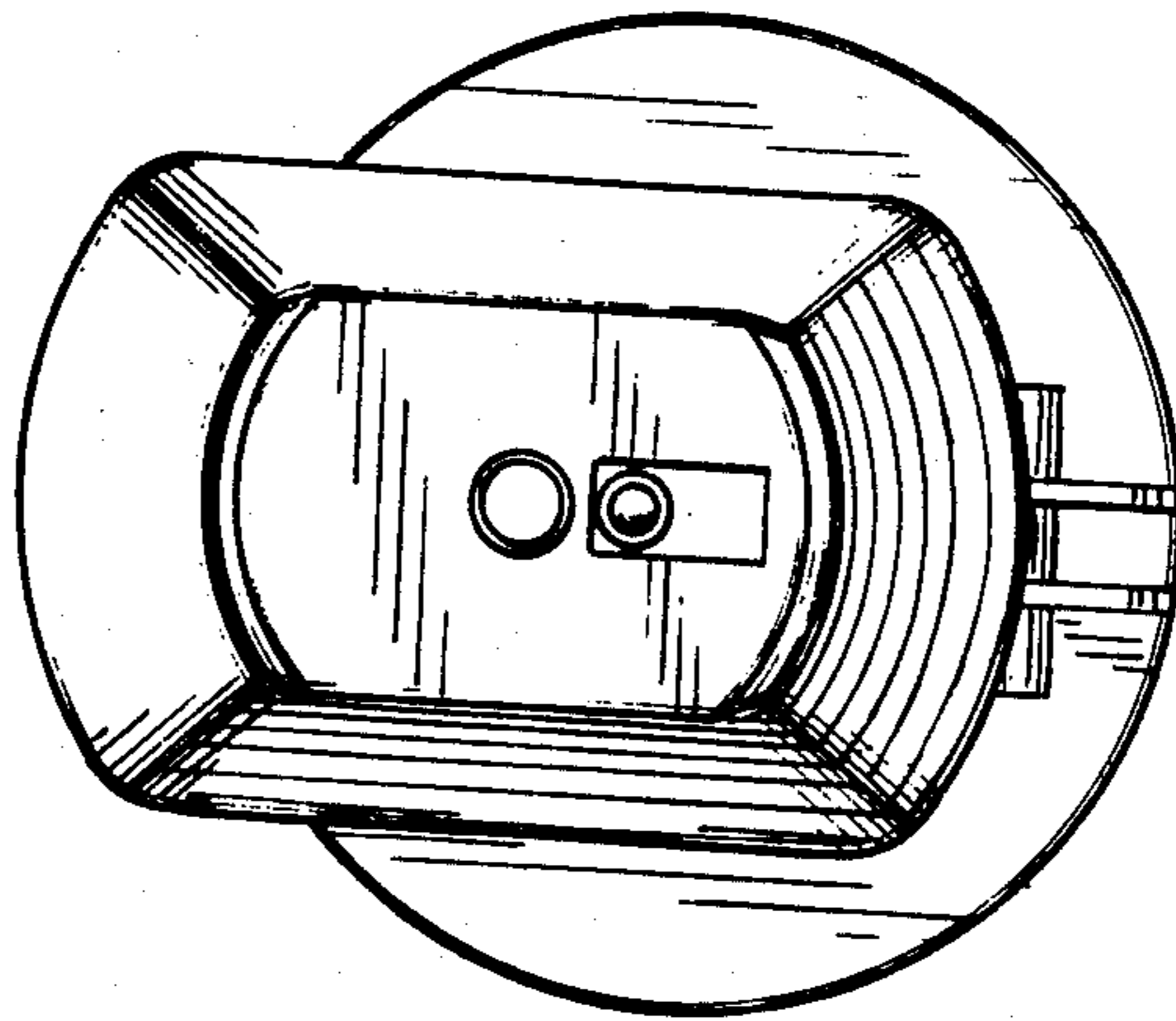


FIG. 3.

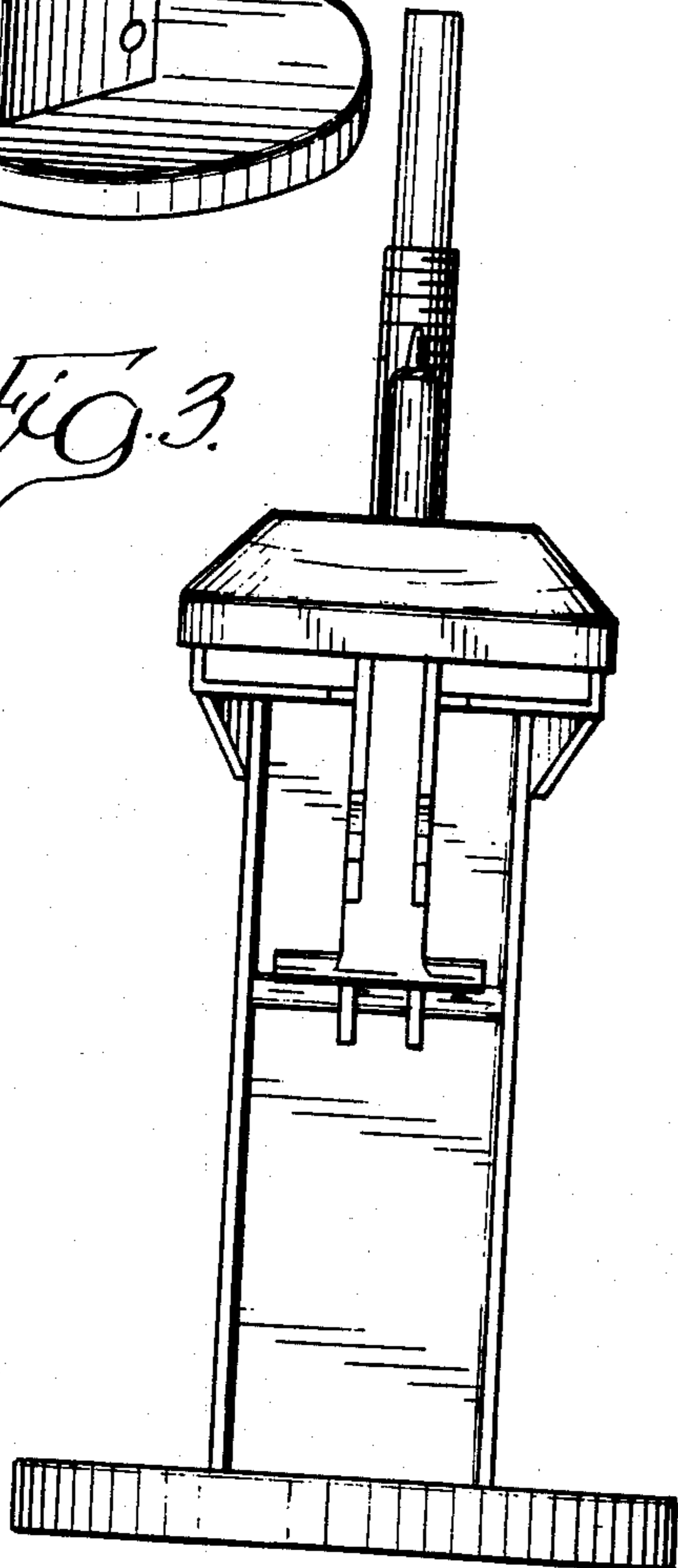


FIG. 4.

