

[54] **POWDER DETERGENT DISPENSER FOR USE WITH REMOTELY LOCATED WASHING MACHINES**

[75] **Inventors:** David L. Nystuen, Bloomington; Robert B. Moffatt, West St. Paul; Thomas H. Imdieke, Hastings, all of Minn.

[73] **Assignee:** Economics Laboratory, Inc., St. Paul, Minn.

[**] **Term:** 14 Years

[21] **Appl. No.:** 548,273

[22] **Filed:** Feb. 10, 1975

[51] **Int. Cl.** D15-99; D15-05

[52] **U.S. Cl.** D15/199

[58] **Field of Search** 23/267, 271; 222/67; 137/88; D15/199, 36

[56] **References Cited**

U.S. PATENT DOCUMENTS

3,595,438 7/1971 Daley 23/271 X
3,850,344 11/1974 Burge et al. 222/67

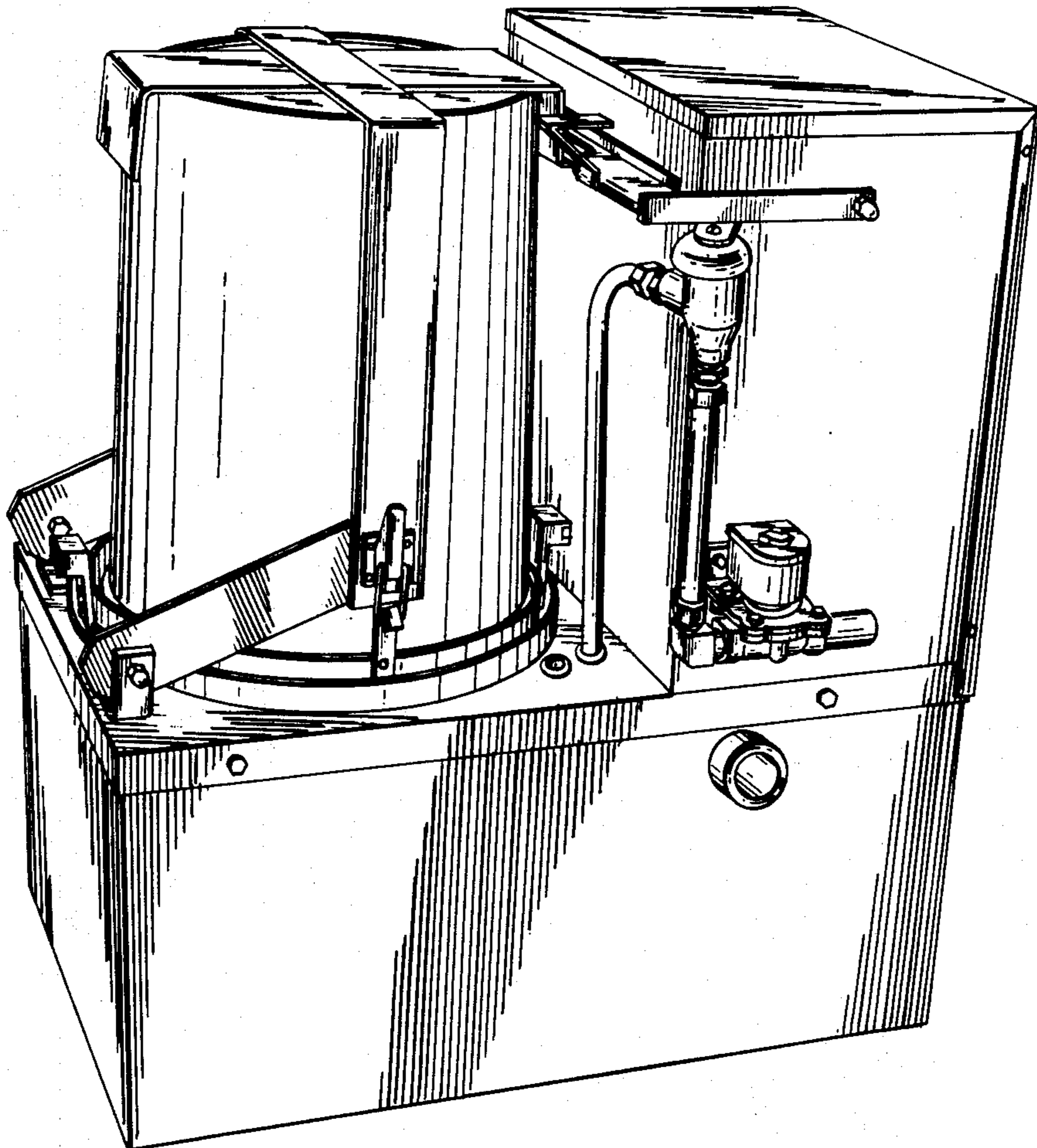
Primary Examiner—Wallace R. Burke
Attorney, Agent, or Firm—John D. Gould

[57] **CLAIM**

The ornamental design for a powder detergent dispenser for use with remotely located washing machines, as shown and described.

DESCRIPTION

FIG. 1 is a perspective view of a powder detergent dispenser for use with remotely located washing machines, showing our new design; FIG. 2 is a top plan view; FIG. 3 is a front elevational view; FIG. 4 is a rear elevational view; FIG. 5 is a left side elevational view; and FIG. 6 is a right side elevational view.



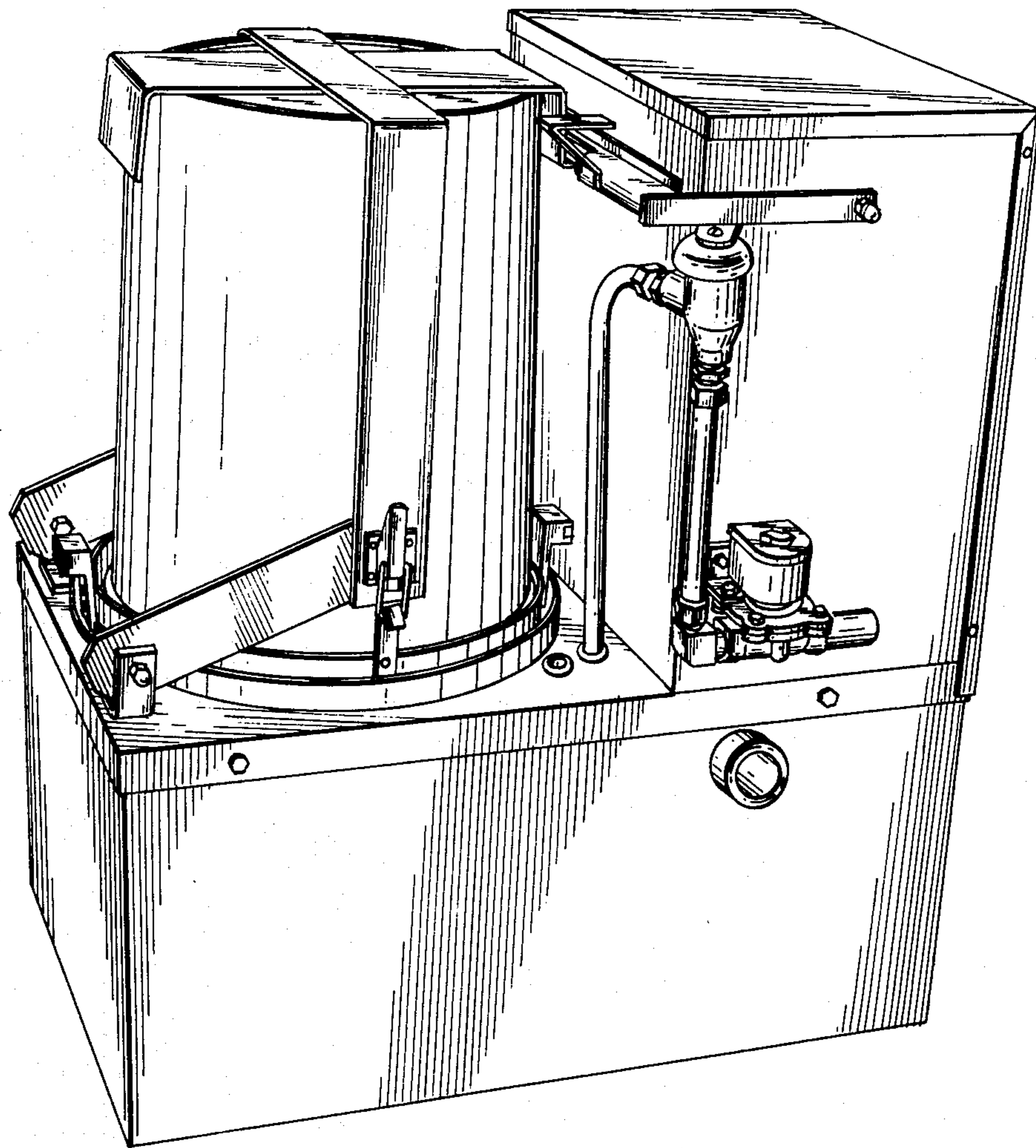


FIG. 1

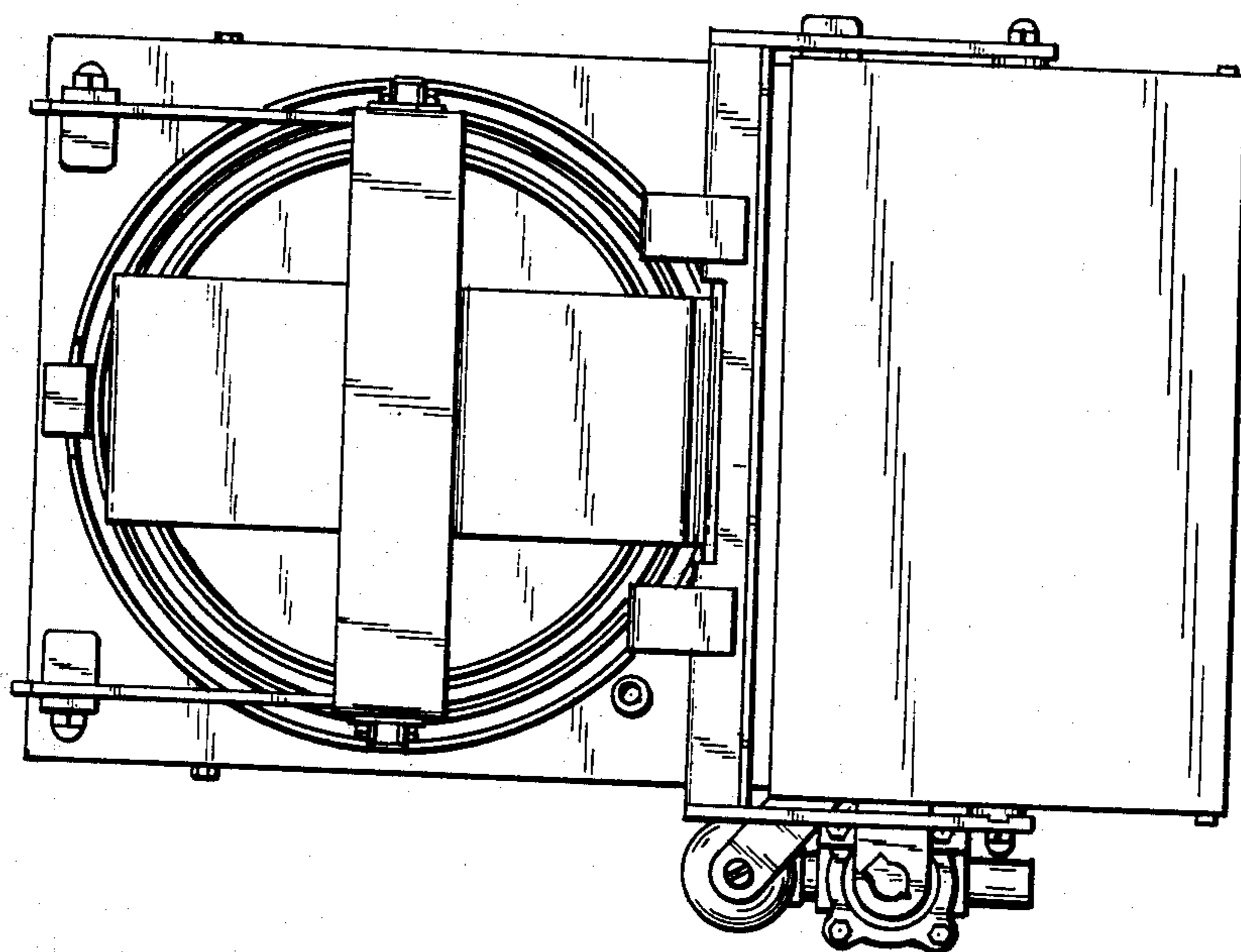


FIG. 2

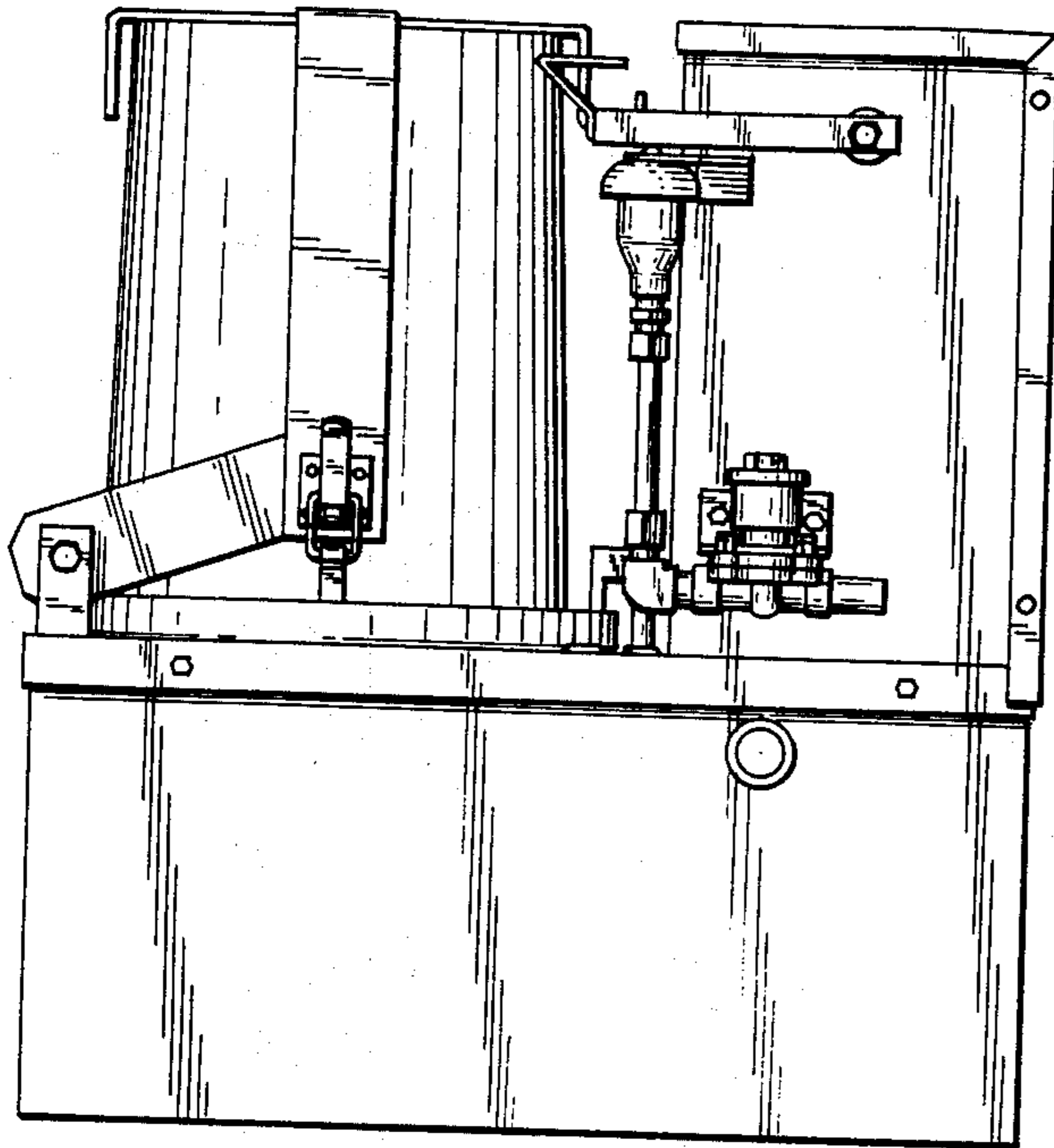


FIG. 3

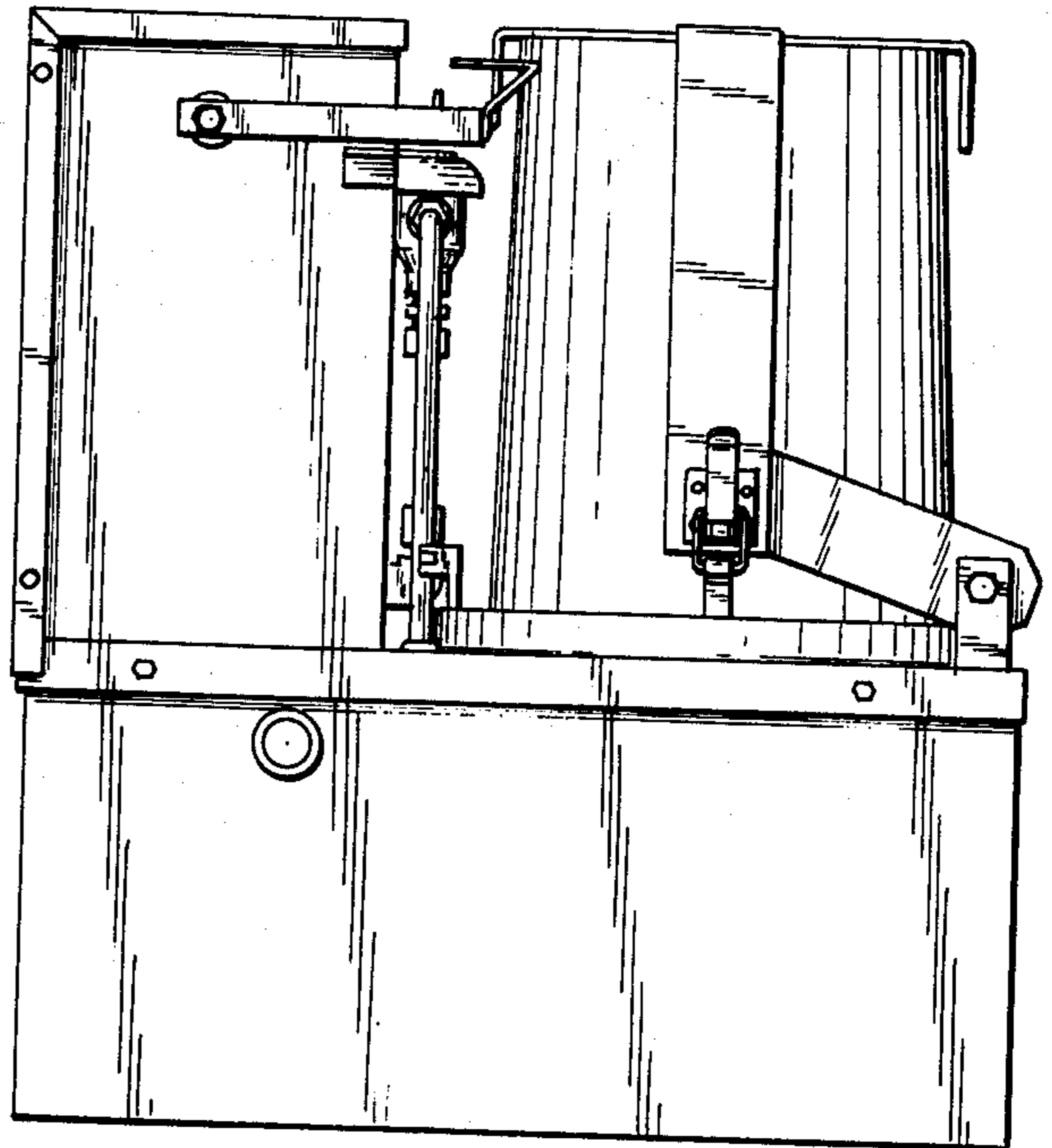


FIG. 4

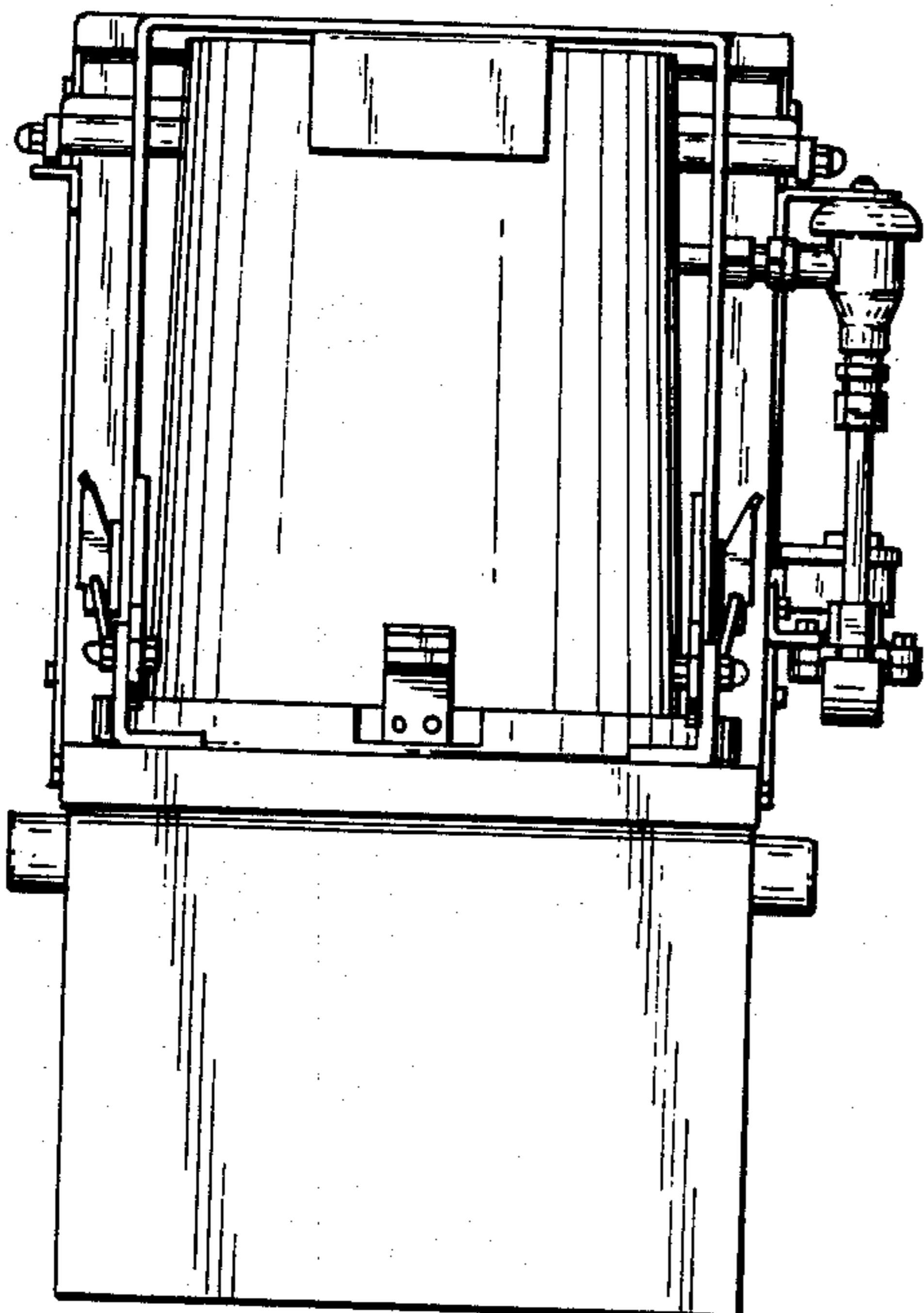


FIG. 5

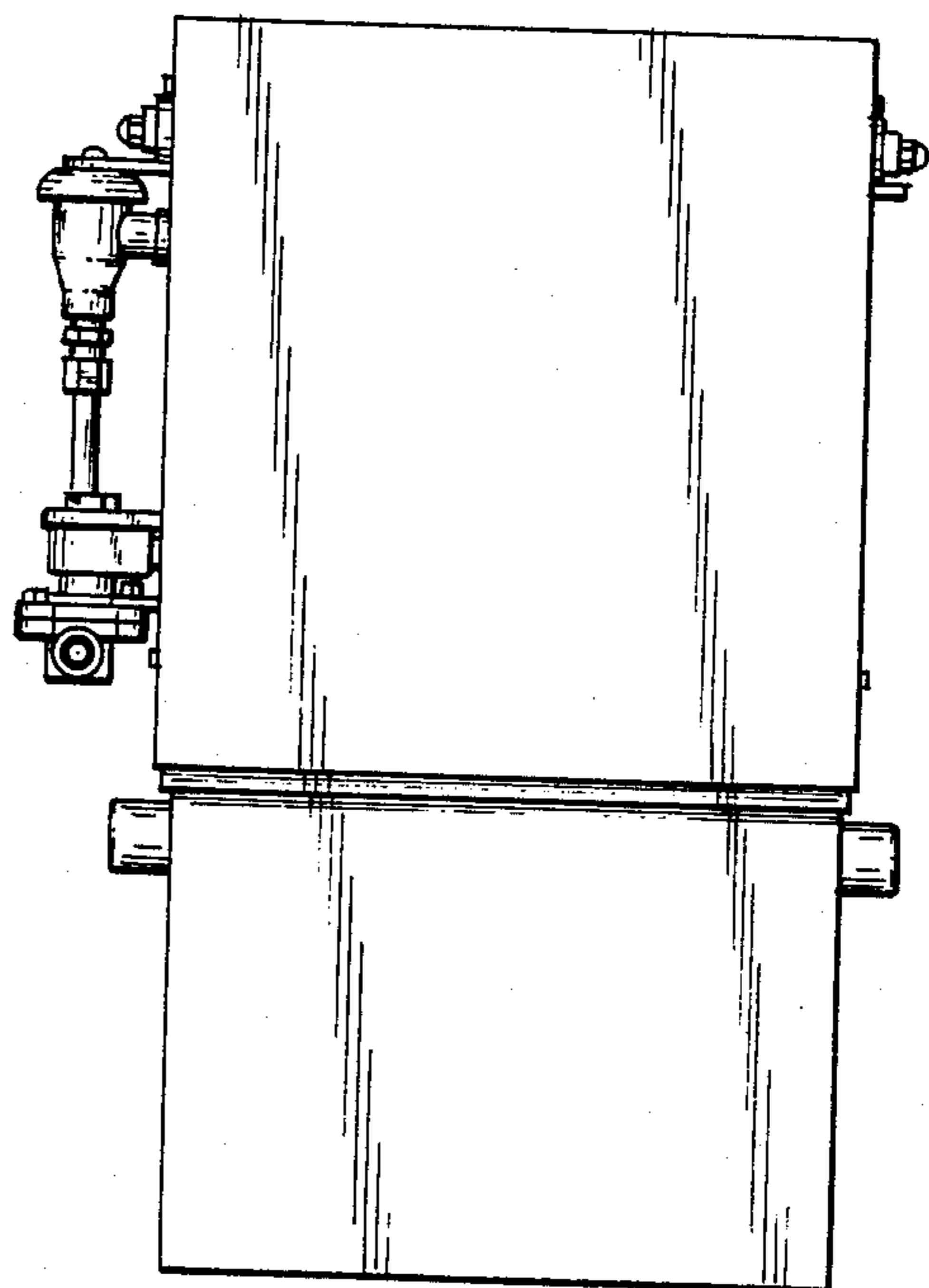


FIG. 6