

[54] BICYCLE FRAME

[75] Inventors: William L. Manofsky; Dennis C. Patterson, both of Nashville, Tenn.

[73] Assignee: The Murray Ohio Manufacturing Company, Brentwood, Tenn.

[\*\*] Term: 14 Years

[21] Appl. No.: 629,553

[22] Filed: Nov. 6, 1975

[51] Int. Cl. .... D12-11

[52] U.S. Cl. .... D12/111

[58] Field of Search ..... D12/111; 280/281, 283, 280/276, 277

[56] References Cited

U.S. PATENT DOCUMENTS

- D. 213,347 2/1969 Schreckengost ..... D12/111
- D. 216,538 2/1970 Hill ..... D12/111

OTHER PUBLICATIONS

American Bicyclist & Motorcyclist, Mar. 1975, p. 122, monoframe, (2), top center of page.

Primary Examiner—Wallace R. Burke  
Assistant Examiner—James M. Gandy  
Attorney, Agent, or Firm—John W. Malley

[57] CLAIM

The ornamental design for a bicycle frame, substantially as shown.

DESCRIPTION

FIG. 1 is a side elevational view of a bicycle frame showing our new design the opposite side being a mirror image thereof;

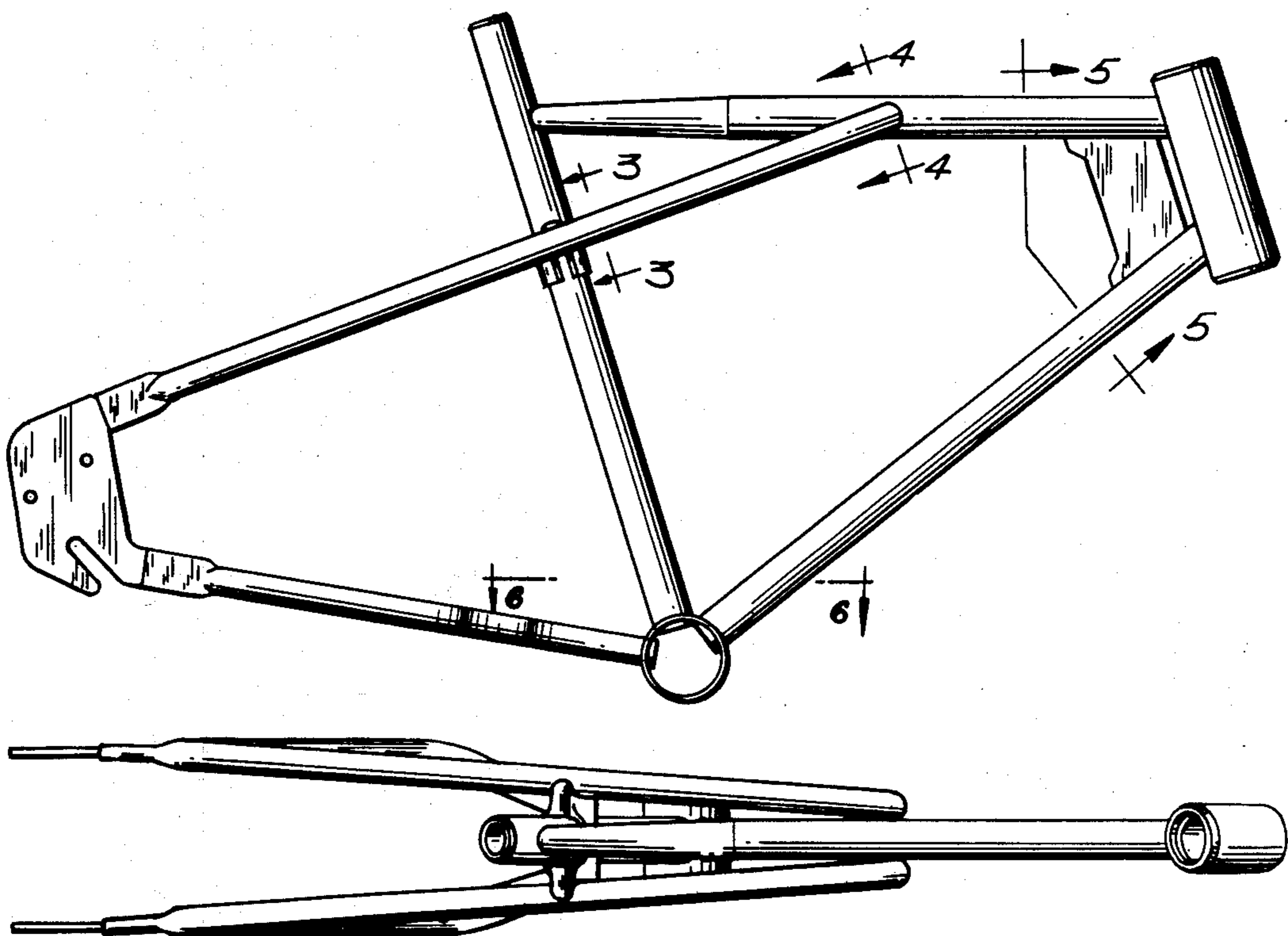
FIG. 2 is a top plan view thereof;

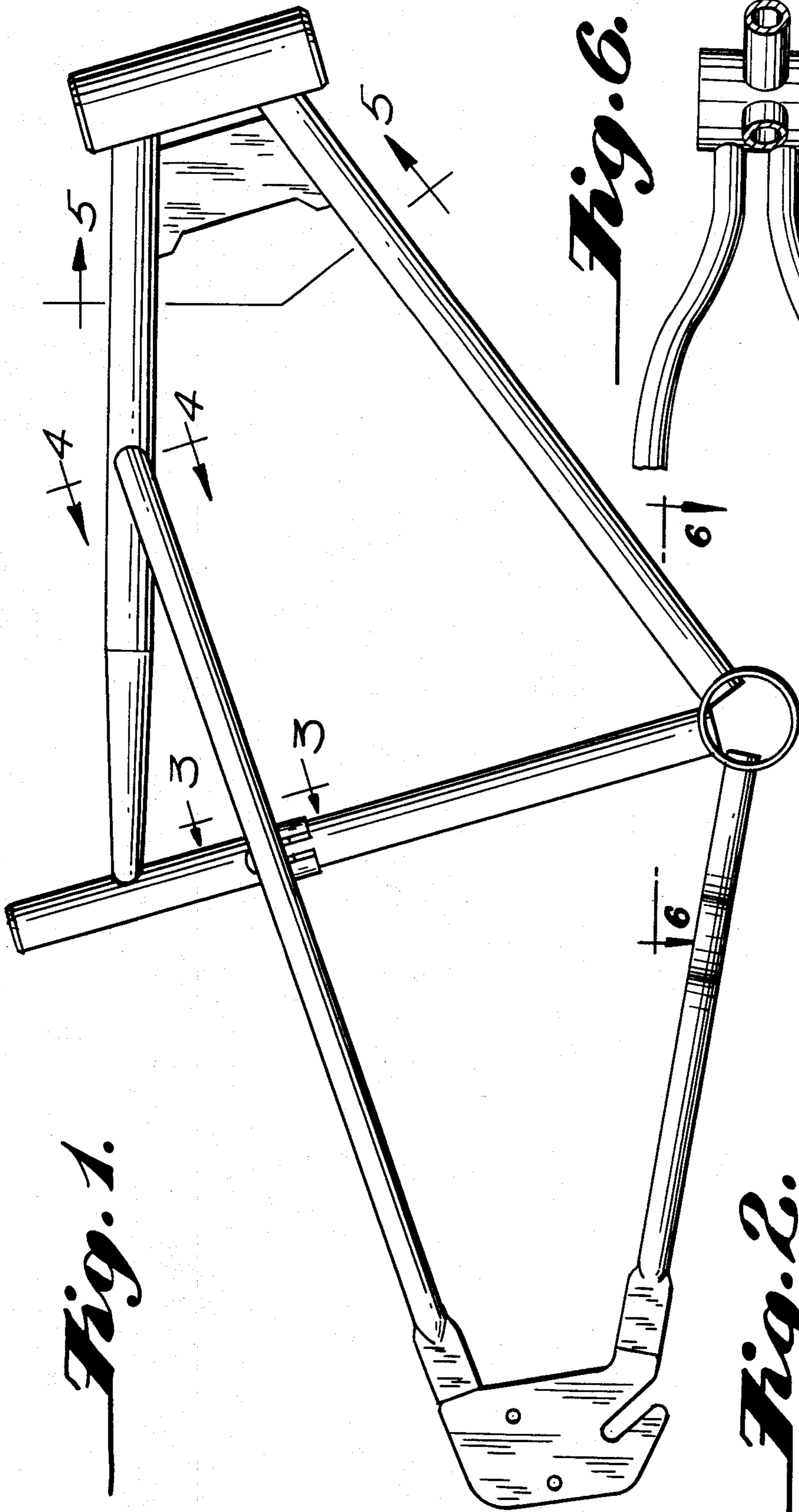
FIG. 3 is a greatly enlarged fragmentary sectional view taken along lines 3—3 of FIG. 1;

FIG. 4 is a greatly enlarged sectional view taken along lines 4—4 of FIG. 1;

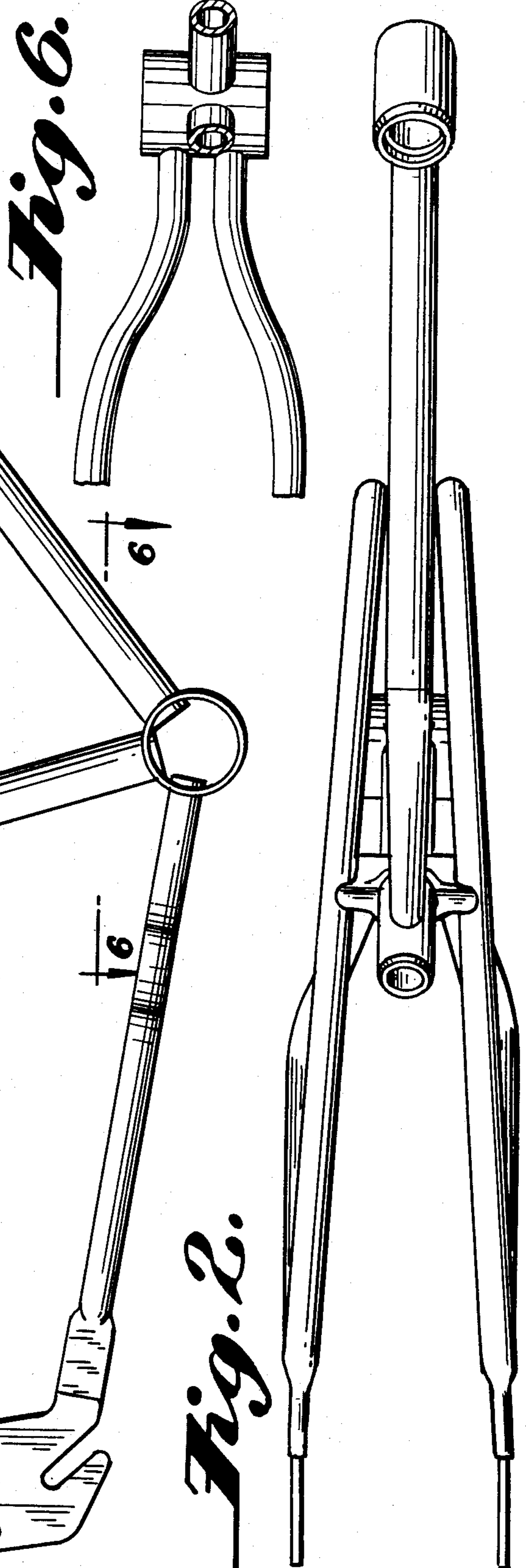
FIG. 5 is a greatly enlarged sectional view taken along lines 5—5 of FIG. 1; and

FIG. 6 is a sectional view taken along lines 6—6 of FIG. 1.

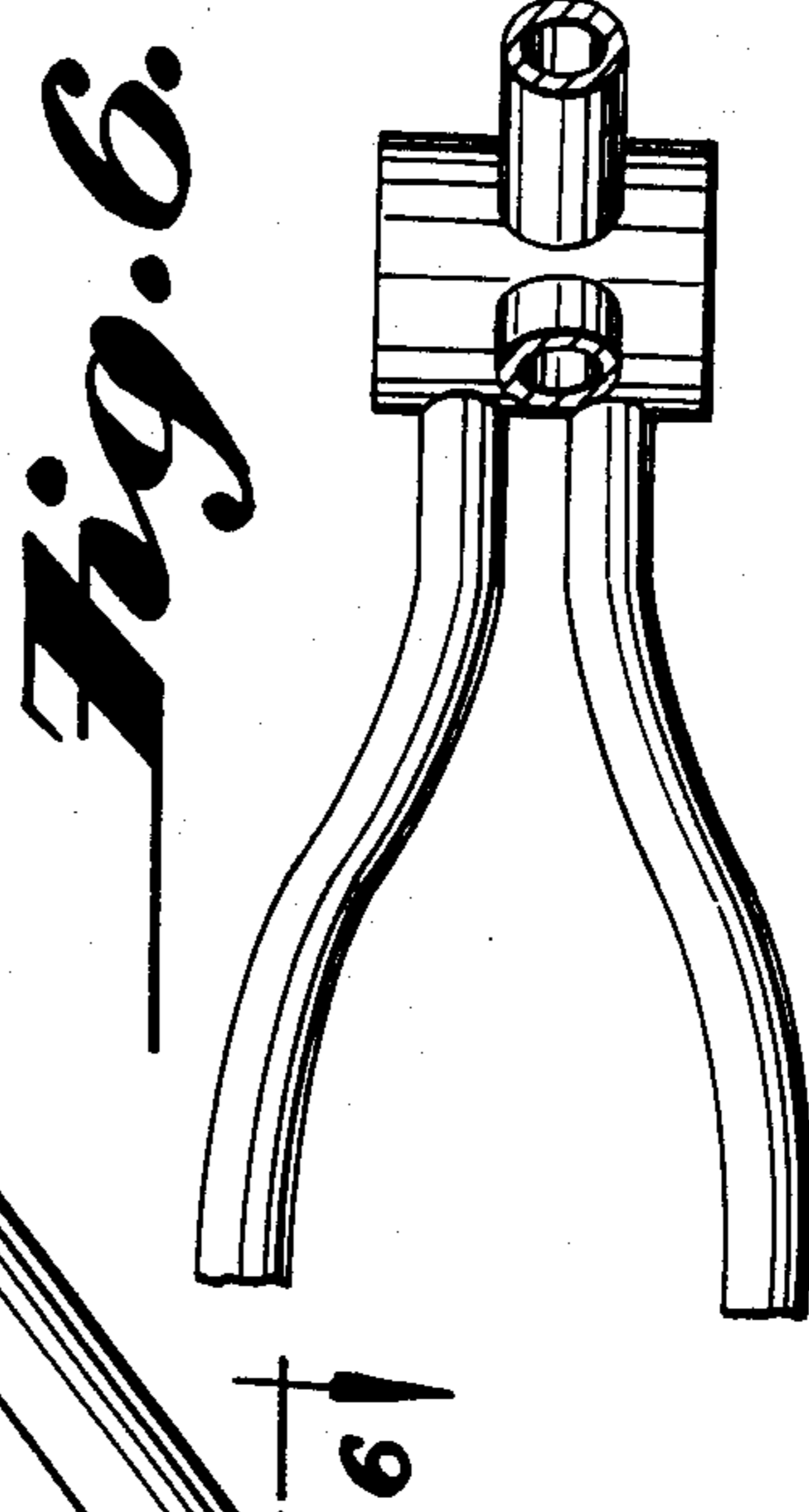




*Fig. 1.*

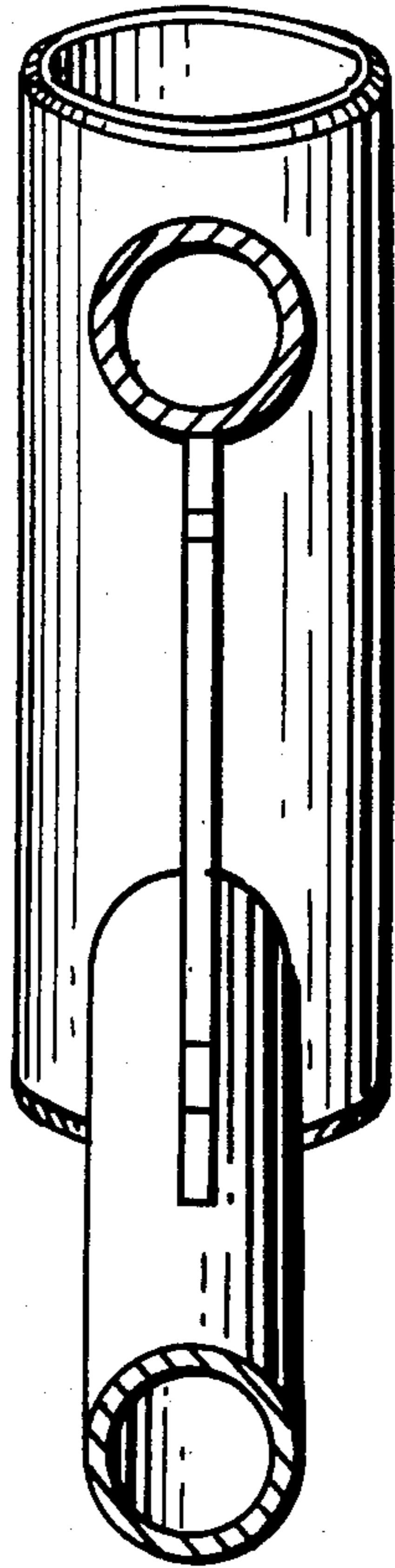


*Fig. 2.*

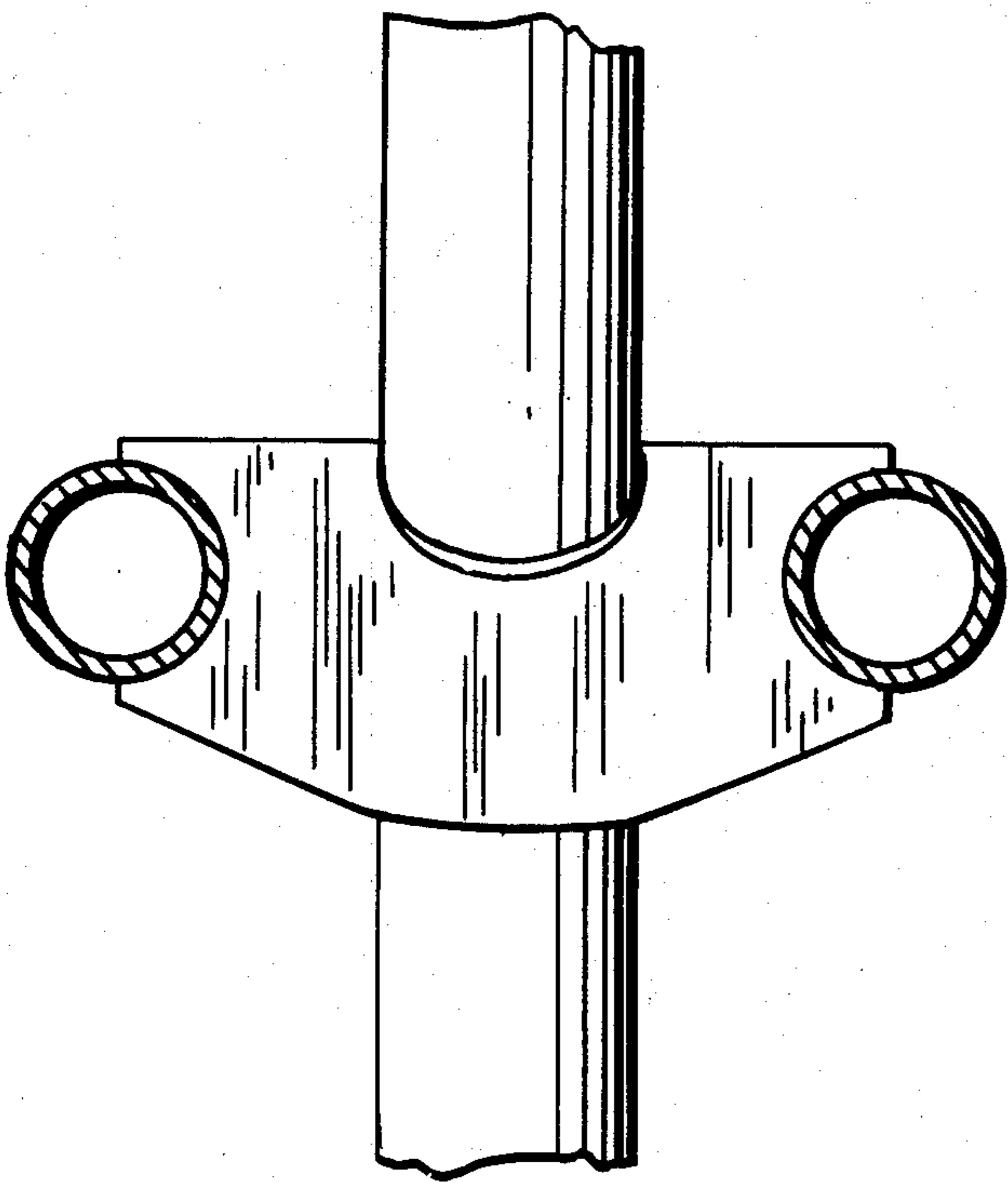


*Fig. 6.*

*Fig. 5.*



*Fig. 3.*



*Fig. 4.*

