

[54] COUPLING HOOK
[76] Inventor: Per Erland Jonsson, Smalandsvagen
19, S-826 00 Soderhamn, Sweden

[**] Term: 14 Years

[21] Appl. No.: 522,182

[22] Filed: Nov. 8, 1974

[51] Int. Cl. D8-99

[52] U.S. Cl. D8/367

[58] Field of Search D8/229, 246, 252, 230;
294/78 R, 82 R; 24/233, 234, 235

[56] References Cited

U.S. PATENT DOCUMENTS

| | | | |
|-----------|---------|----------|----------|
| 1,032,369 | 7/1912 | Baxter | 24/233 |
| 2,124,835 | 7/1938 | Strutz | 24/235 |
| 2,490,931 | 12/1949 | Thompson | 24/234 |
| 3,620,563 | 11/1971 | Pierce | 294/82 R |

| | | | |
|------------|--------|-----------|--------|
| D. 55,819 | 7/1920 | Roebuck | D8/252 |
| D. 141,553 | 6/1945 | John | D8/252 |
| D. 215,268 | 9/1969 | Batchelor | D8/252 |

FOREIGN PATENT DOCUMENTS

| | | | |
|---------|--------|--------|--------|
| 377,097 | 6/1907 | France | 24/235 |
| 966,655 | 3/1950 | France | 24/233 |

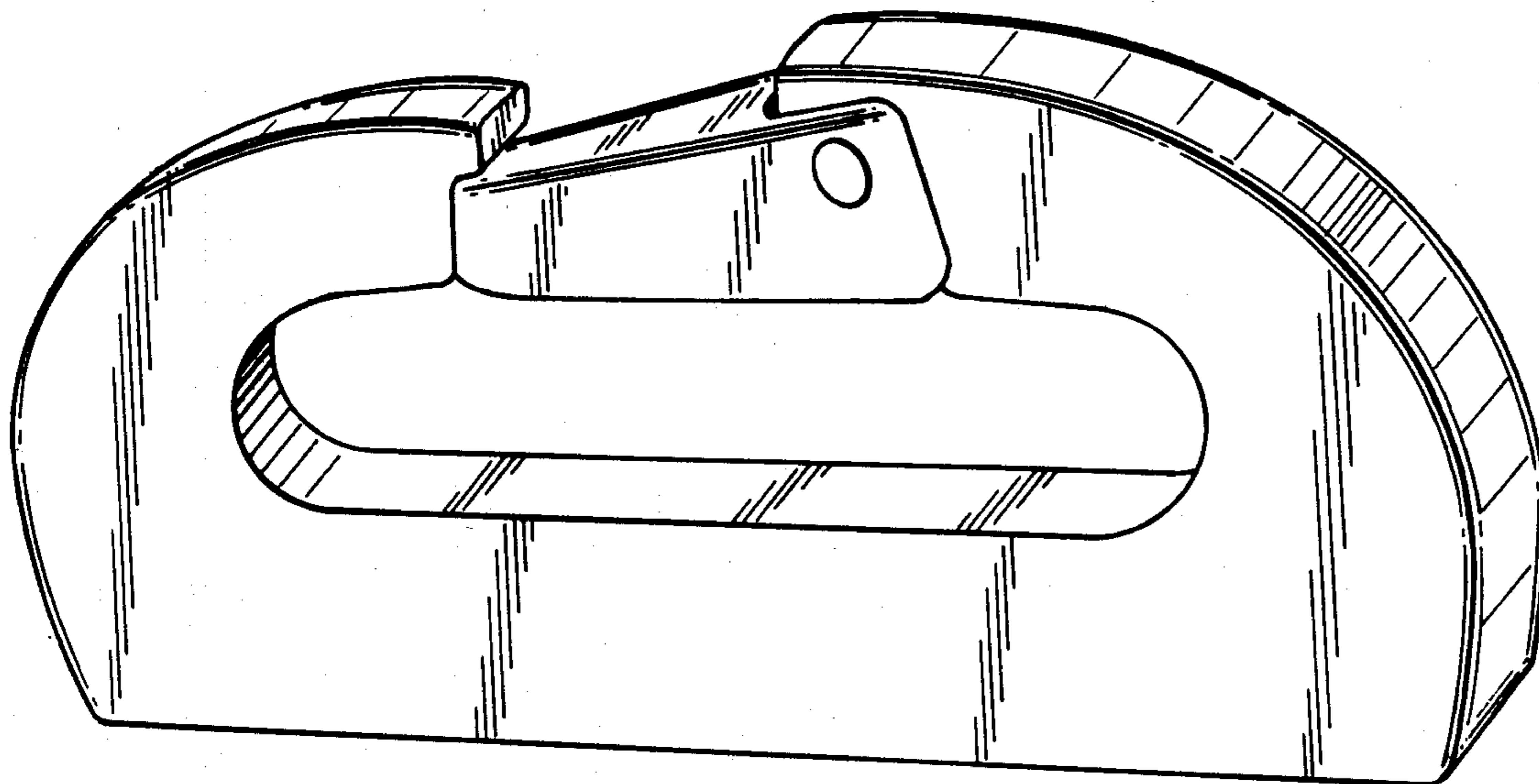
Primary Examiner—James R. Largen
Attorney, Agent, or Firm—William Anthony Drucker

[57] CLAIM

The ornamental design for a coupling hook, as shown.

DESCRIPTION

FIG. 1 is a perspective view taken from the front and top of a coupling hook showing my new design; FIG. 2 is a perspective view taken from the front and bottom thereof; and FIG. 3 is a perspective view taken from the rear and top thereof, showing the safety catch in an open position.



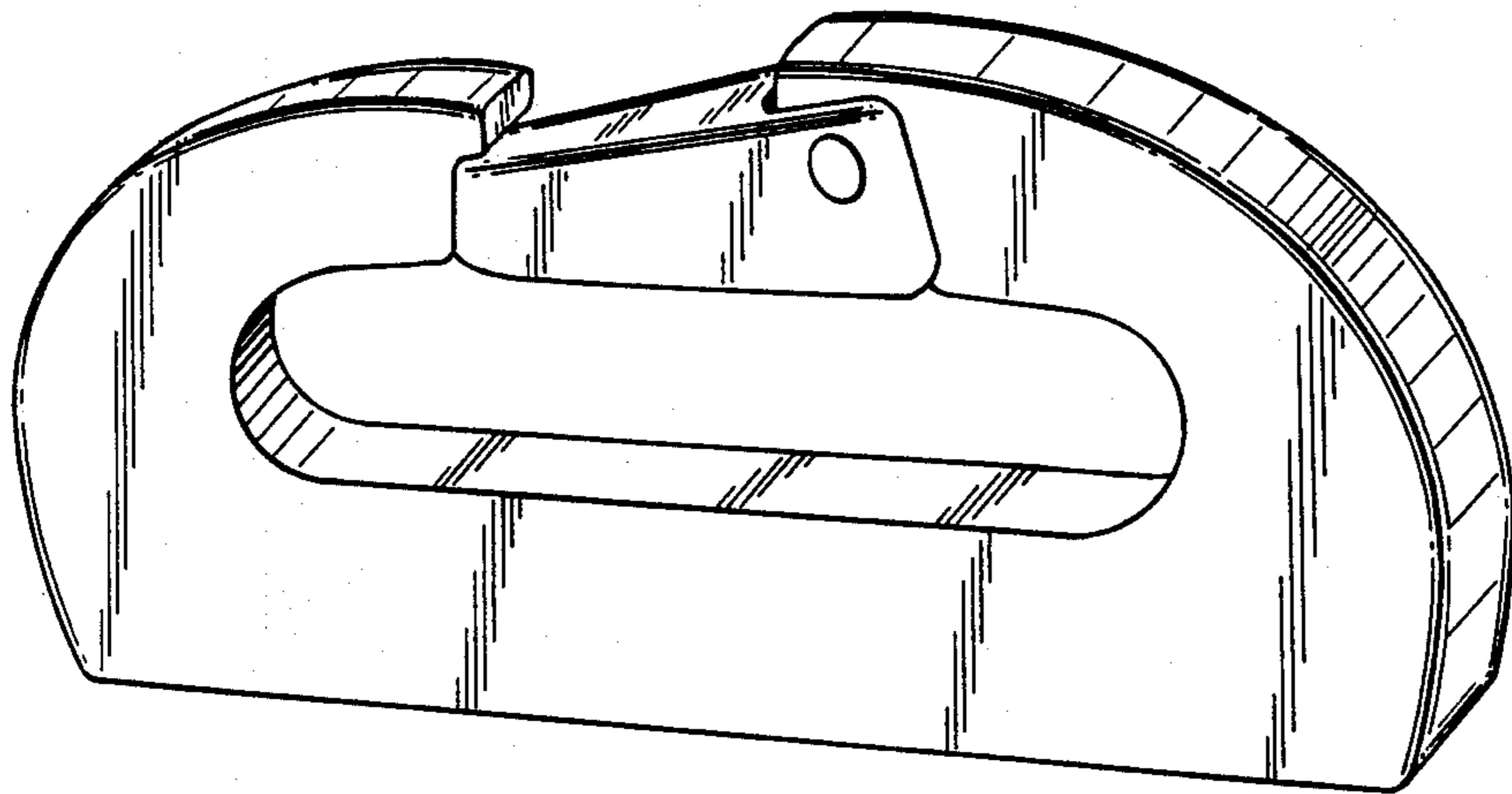


FIG. 1

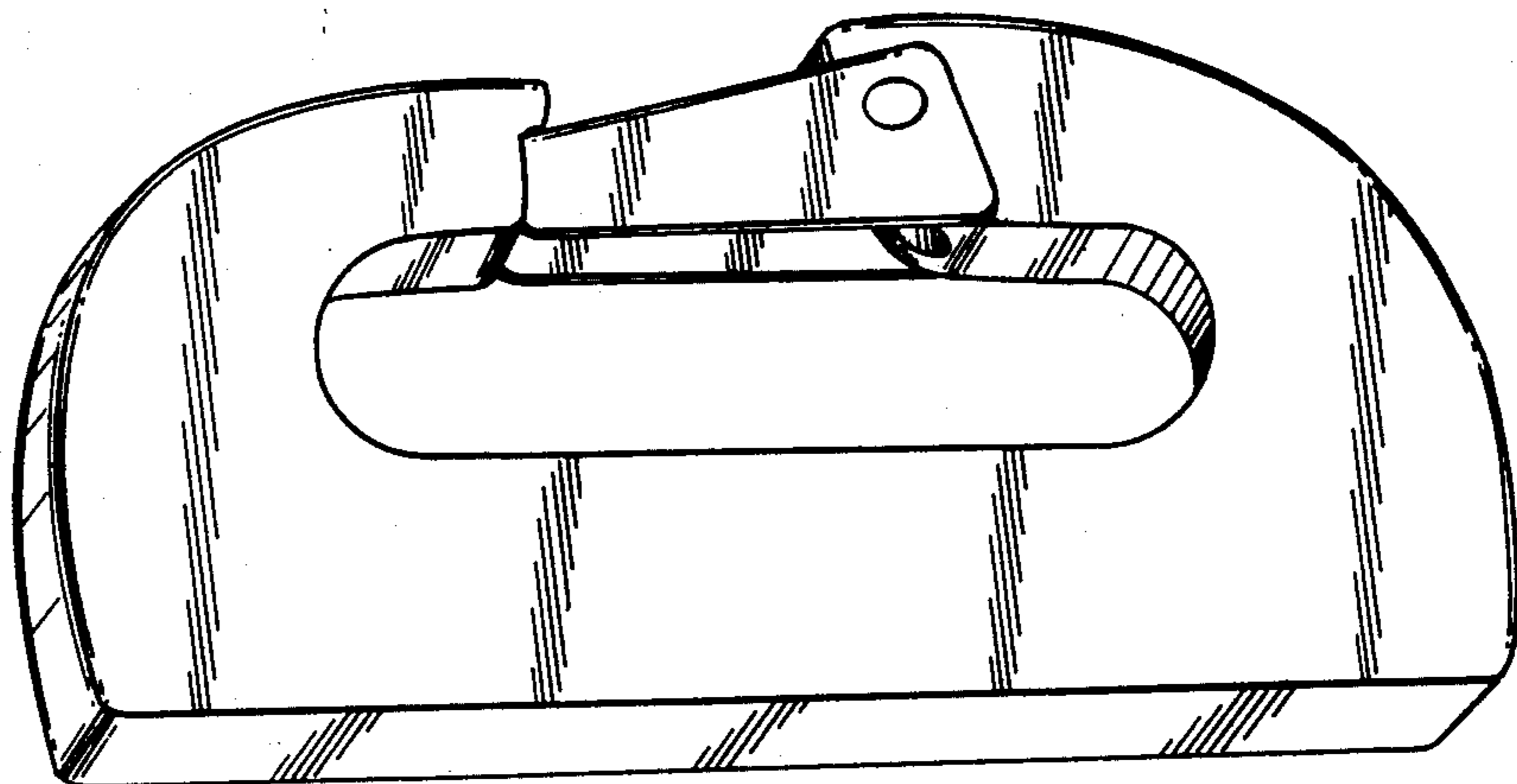


FIG. 2

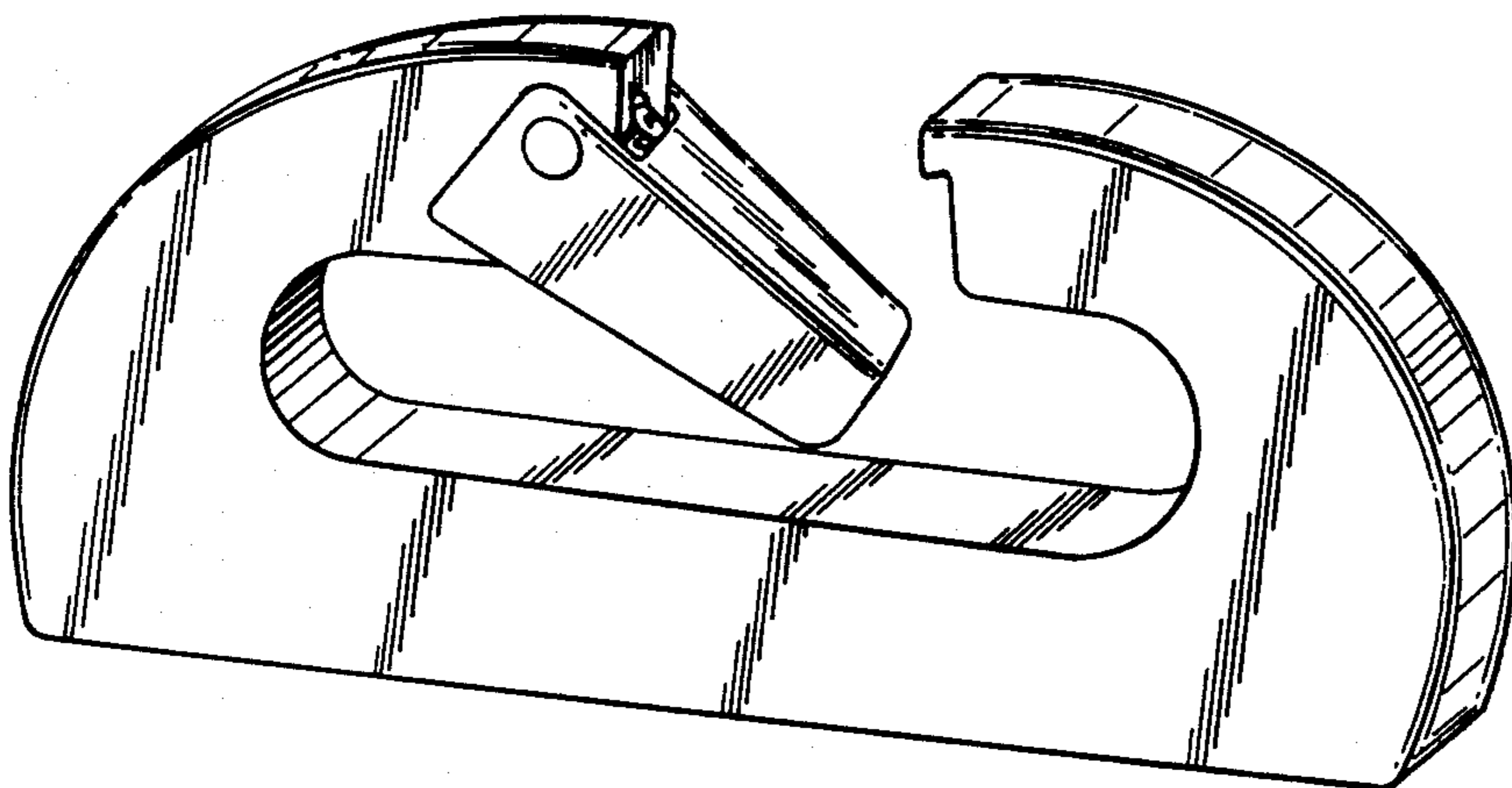


FIG. 3