

[54] **DISPENSING CONTAINER**
 [75] Inventor: **Robert A. Barish**, Trenton, N.J.
 [73] Assignee: **Johnson & Johnson**, New Brunswick, N.J.
 [**] Term: **14 Years**
 [21] Appl. No.: **585,005**
 [22] Filed: **June 9, 1975**

[51] Int. Cl. **D9-03**
 [52] U.S. Cl. **D9/236**
 [58] Field of Search **D9/222-240;**
 206/449, 494, 812, 45.31; 229/7 R, 17 R, 17
 S, 11, 44 R, 51 D; 221/33-63; 220/60 R

[56] **References Cited**
U.S. PATENT DOCUMENTS
 3,272,385 9/1966 Watkins 221/48

3,737,095 6/1973 Derauf 229/51 D
 3,819,043 6/1974 Harrison 206/494 X
 D. 130,273 11/1941 Jensen D9/234
 D. 166,195 3/1952 Howard D9/236

Primary Examiner—Robert C. Spangler
Attorney, Agent, or Firm—Michael Q. Tatlow

[57] **CLAIM**

The ornamental design for a dispensing container, as shown and described.

DESCRIPTION

FIG. 1 is an isometric view of a dispensing container showing my new design.
 FIG. 2 is a view similar to FIG. 1 with the cover in an open position;
 FIG. 3 is a top plan view;
 FIG. 4 is a front elevational view;
 FIG. 5 is a rear elevational view; and
 FIG. 6 is a side elevational view, the opposite side being a mirror image of the side shown.

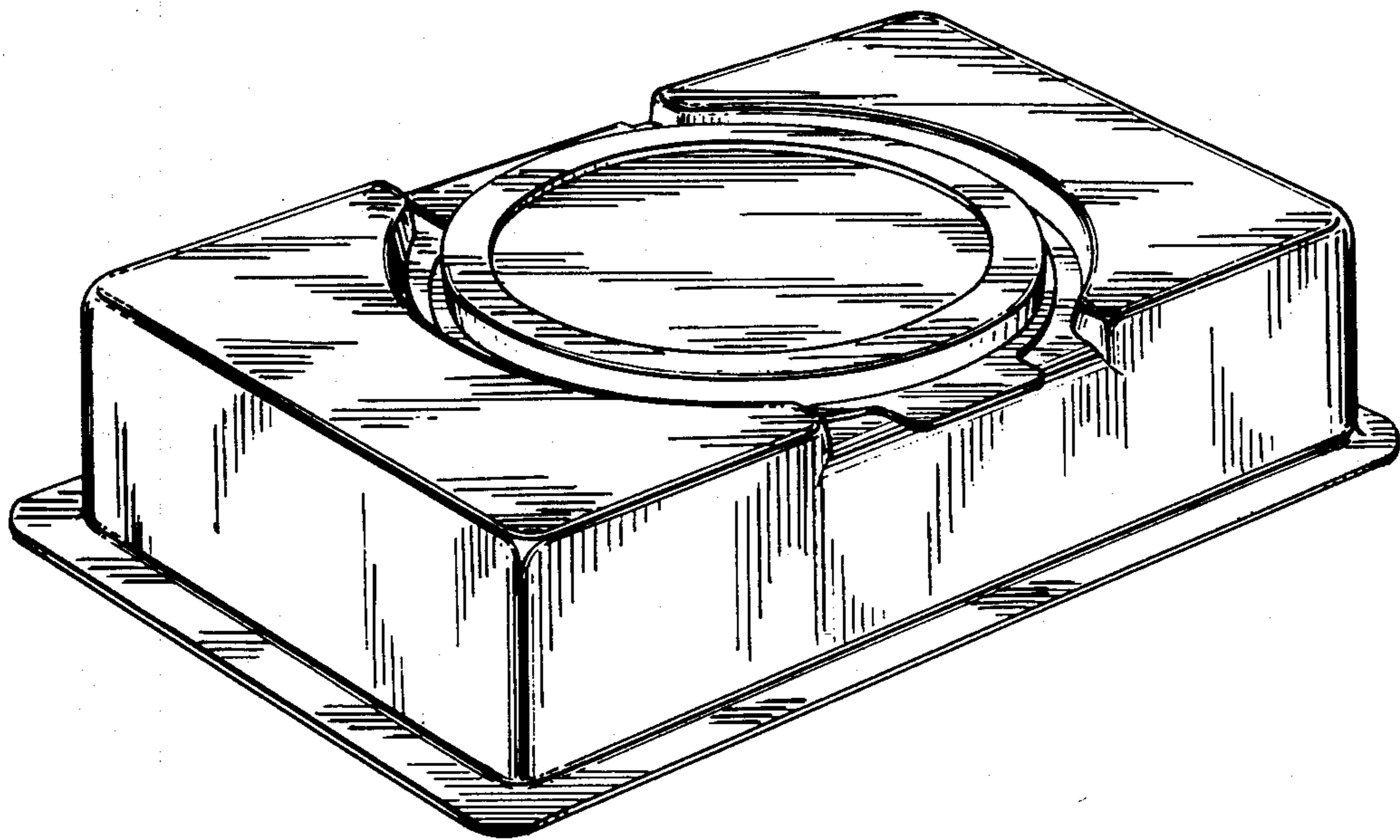


Fig. 1.

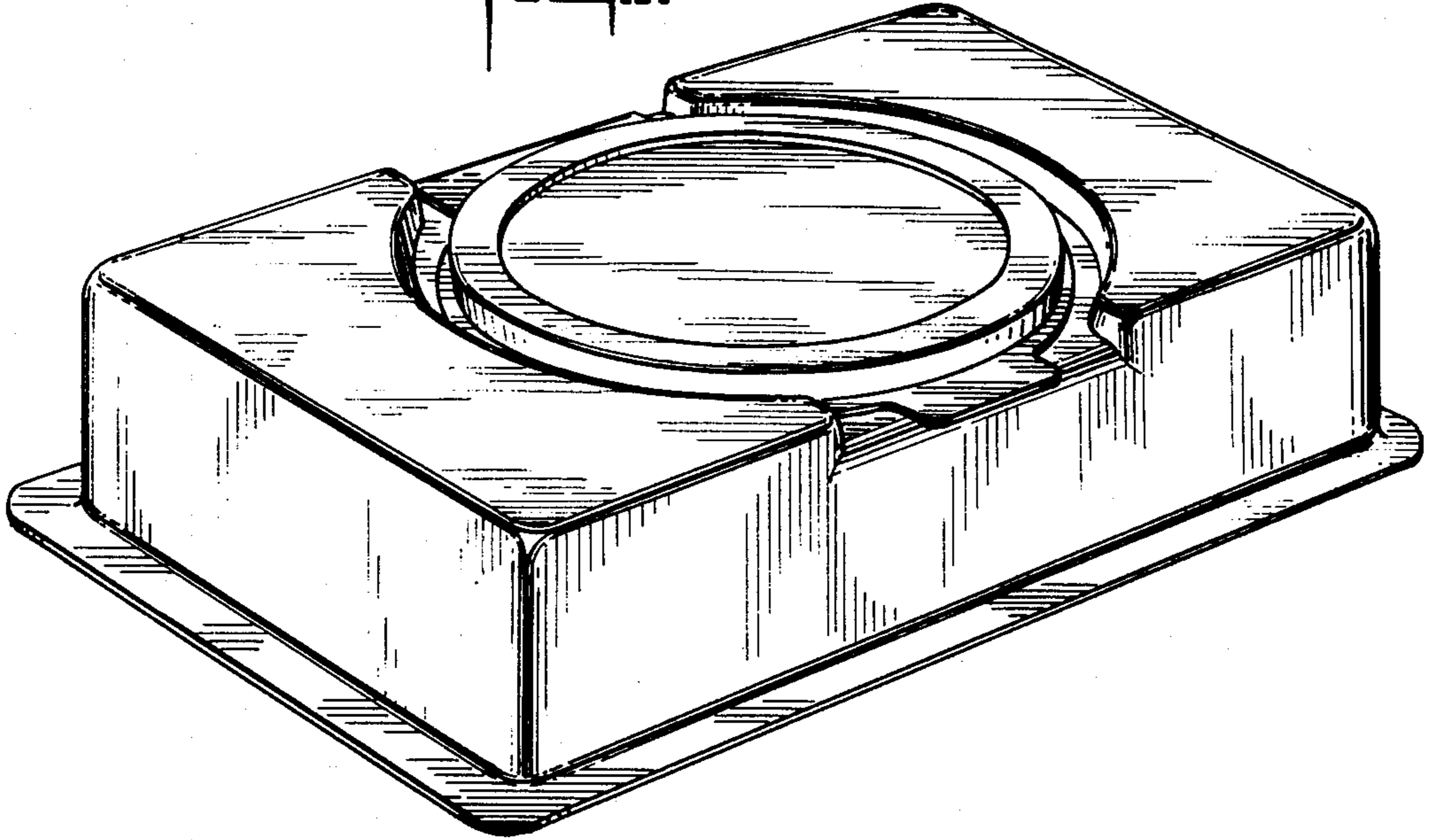


Fig. 2.

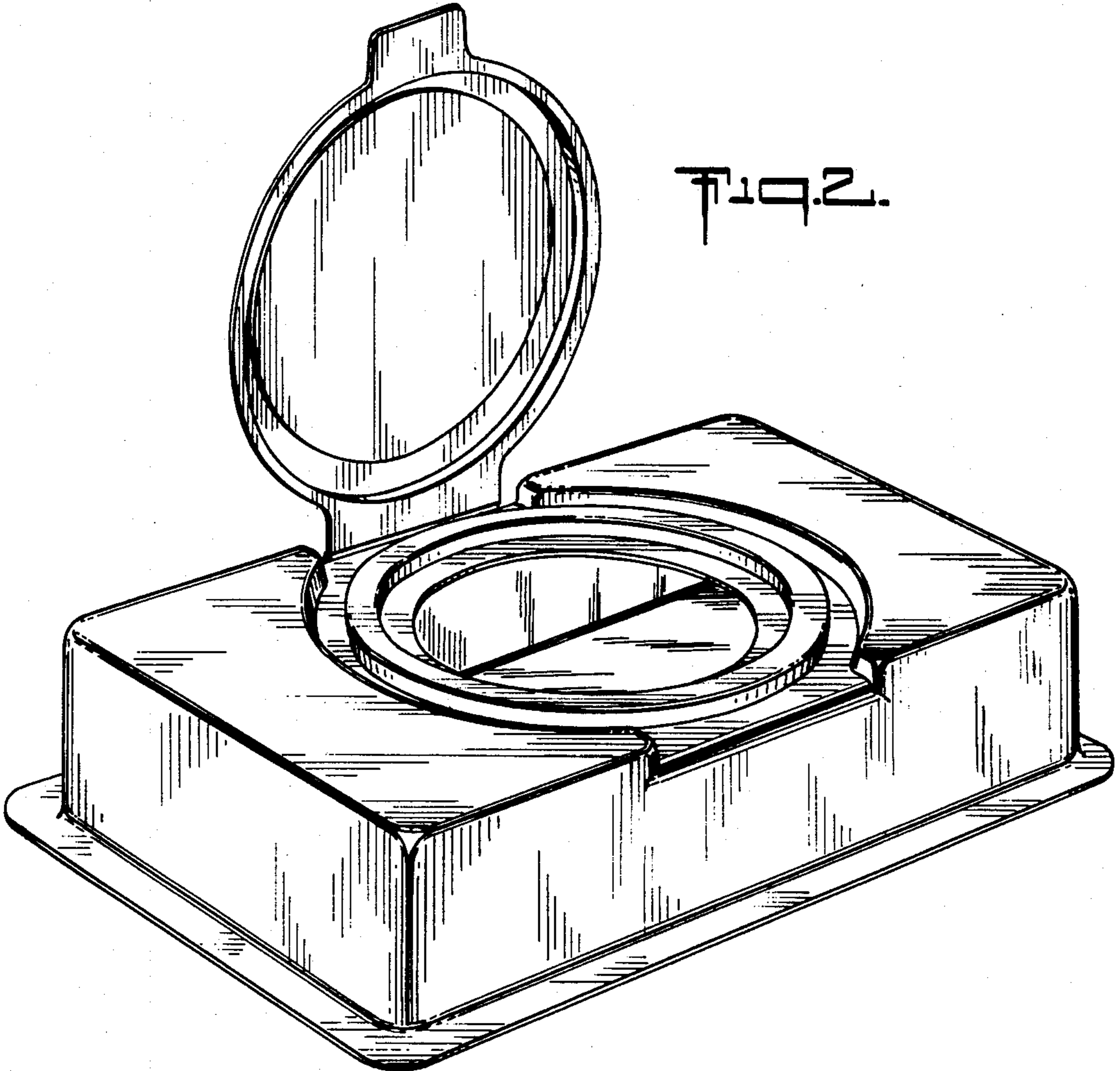


Fig. 3.

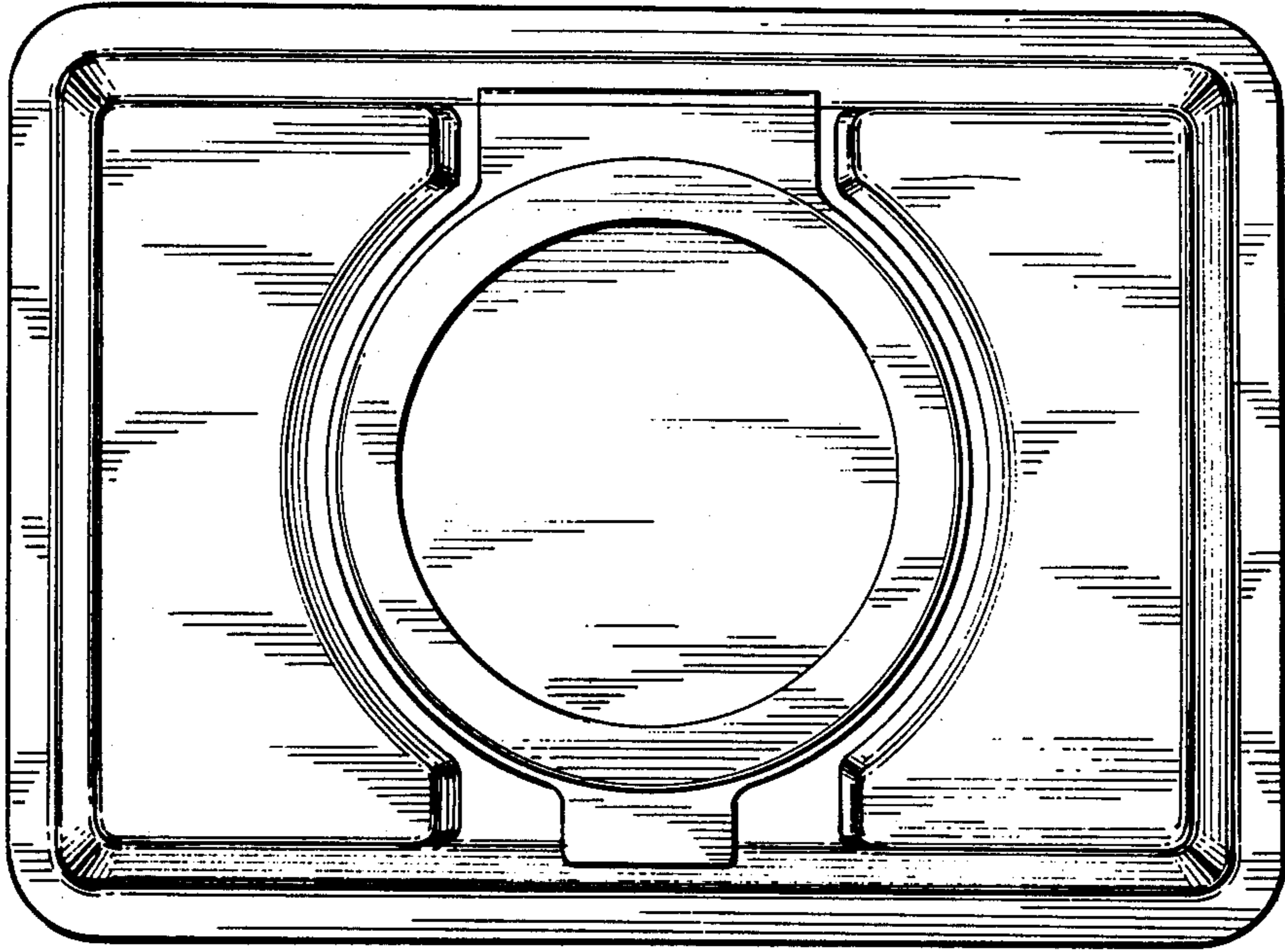


Fig. 4.

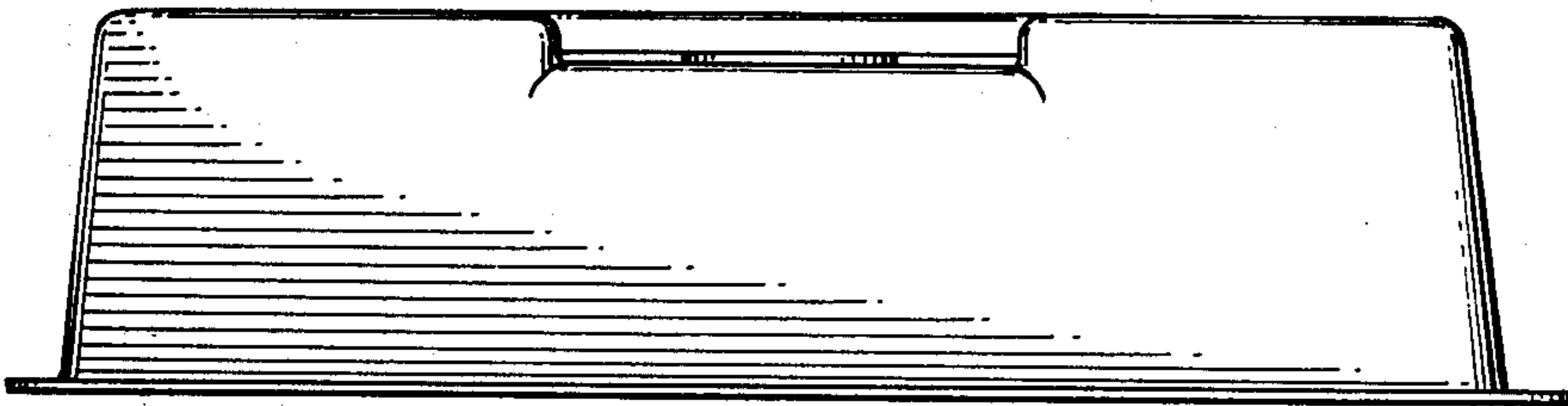


Fig. 5.

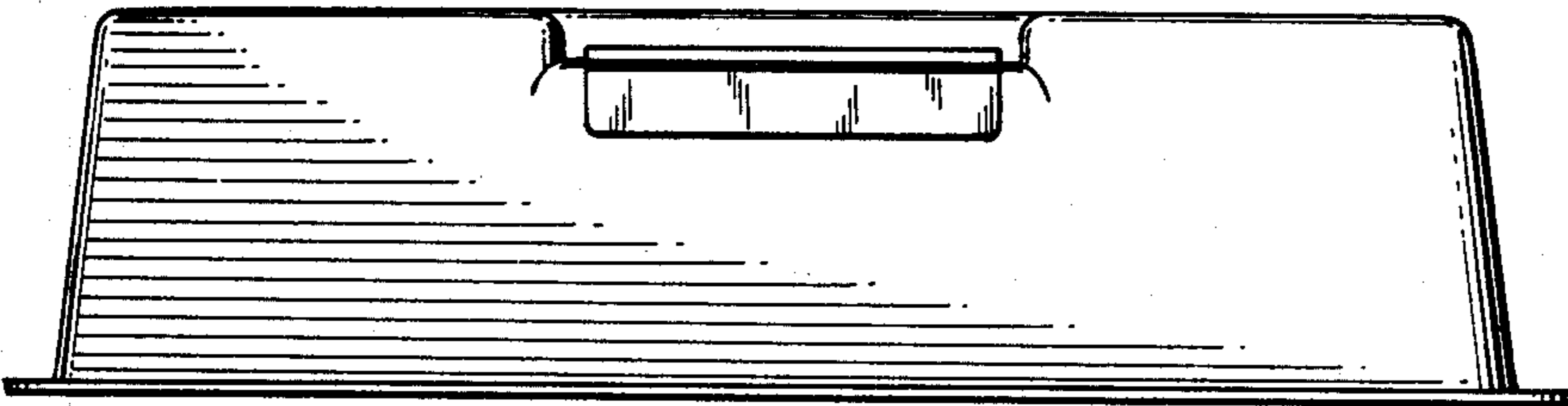


Fig. 6.

