

[54] EGG CARTON

[75] Inventor: Jorgen Nilaus Petersen, Lyngby, Denmark

[73] Assignee: Aktieselskabet Brodrene Hartmann, Lyngby, Denmark

[**] Term: 14 Years

[21] Appl. No.: 596,633

[22] Filed: July 17, 1975

[30] Foreign Application Priority Data
Jan. 27, 1975 Denmark 7575/75

[51] Int. Cl. D9-03
[52] U.S. Cl. D9/190
[58] Field of Search 229/2.5 EC; D9/190

[56]

References Cited

U.S. PATENT DOCUMENTS

2,815,162	12/1957	Grant	D9/190 X
3,184,133	5/1965	Boyd et al.	229/2.5 EC
3,920,178	11/1975	Moller	229/2.5 EC

Primary Examiner—Robert C. Spangler
Attorney, Agent, or Firm—Willis H. Taylor, Jr.

[57]

CLAIM

The ornamental design for an egg carton, substantially as shown and described.

DESCRIPTION

FIG. 1 is a top, front perspective view of an egg carton showing my new design;
FIG. 2 is a top view thereof;
FIG. 3 is a bottom view;
FIG. 4 is a front perspective view;
FIG. 5 is a rear perspective view;
FIG. 6 is an end view;
FIG. 7 is a plan view in an open position showing the exterior surfaces; and
FIG. 8 is a plan view in an open position showing the interior surfaces.

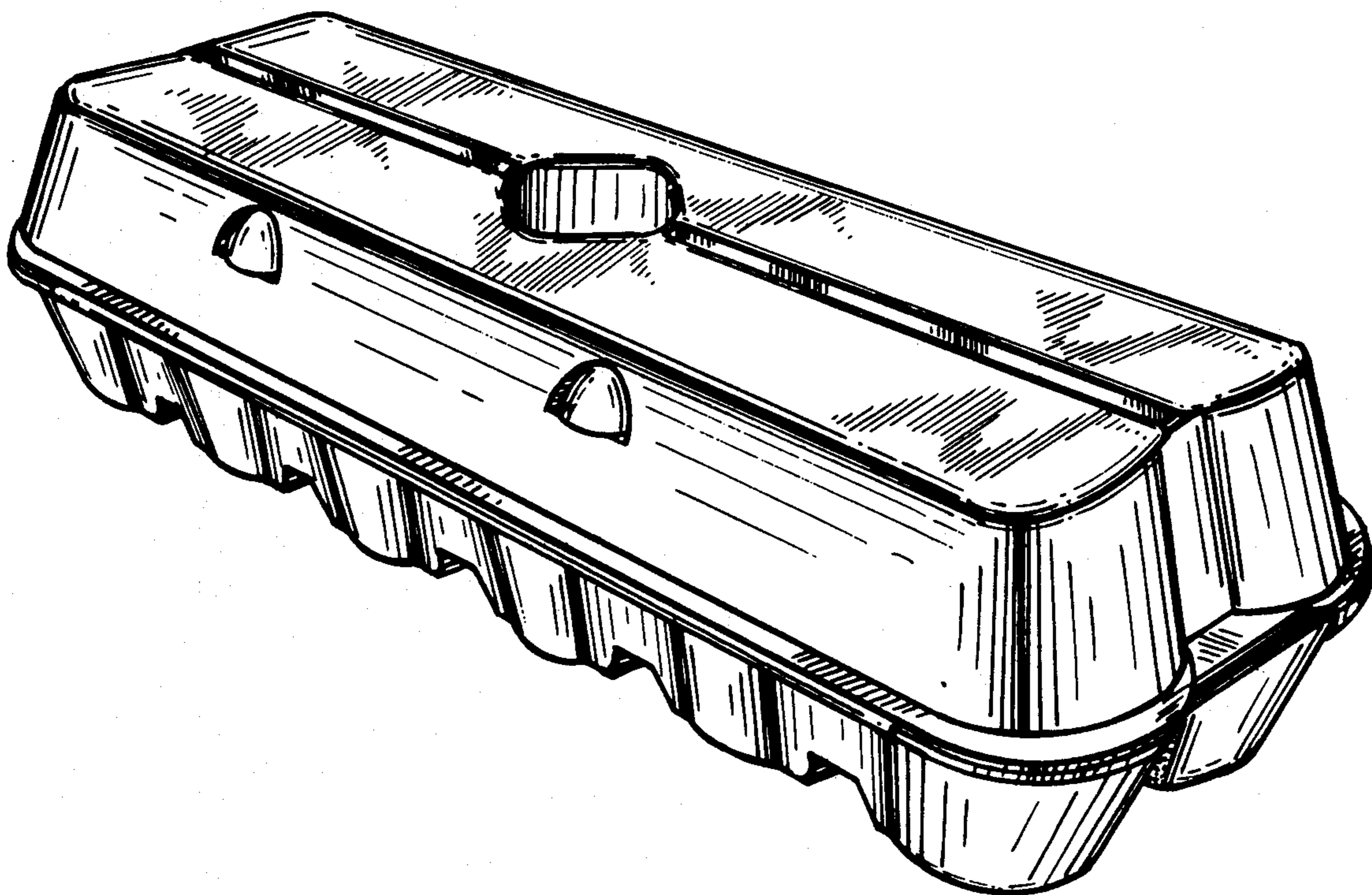


FIG. 1

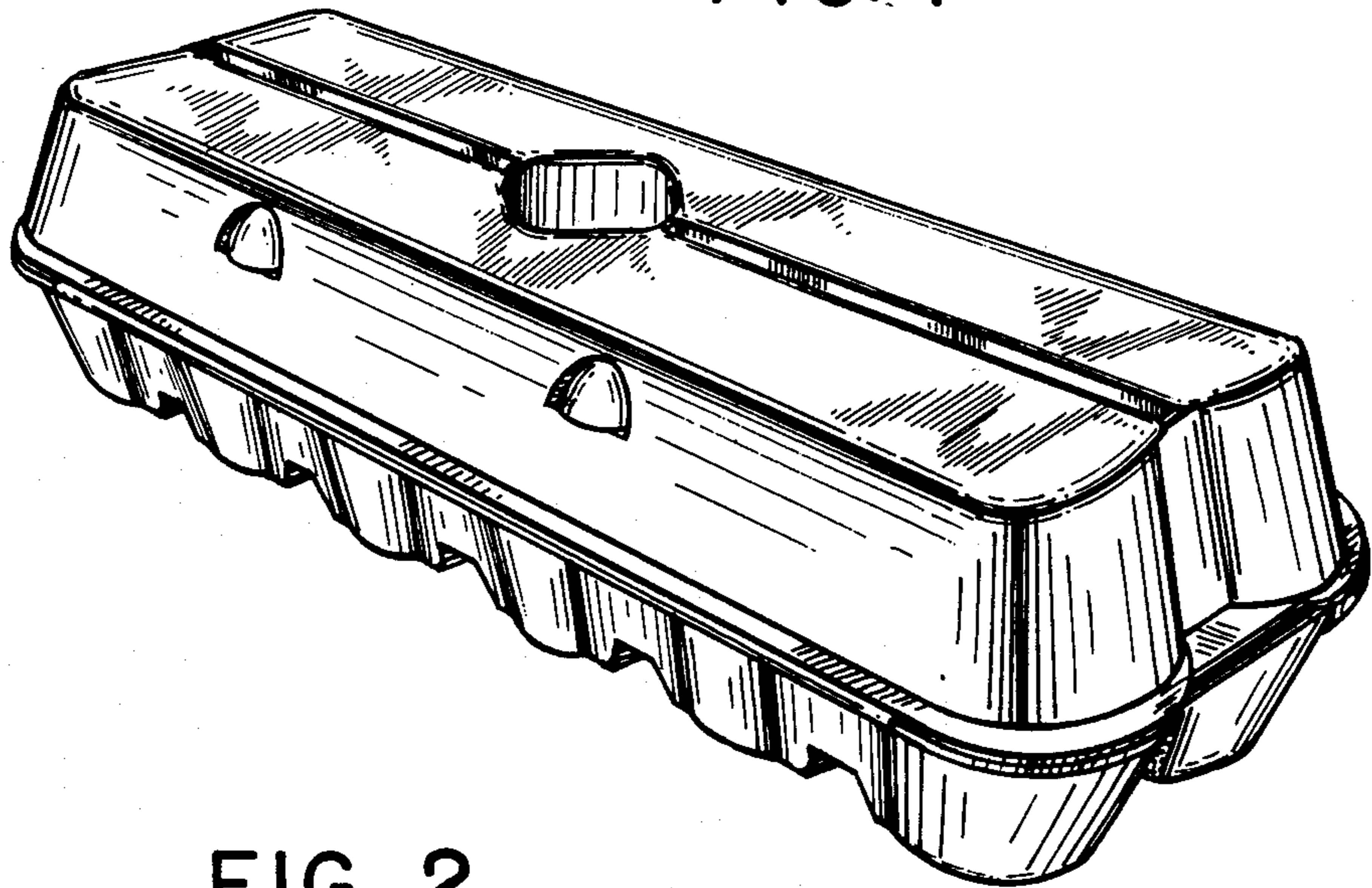


FIG. 2

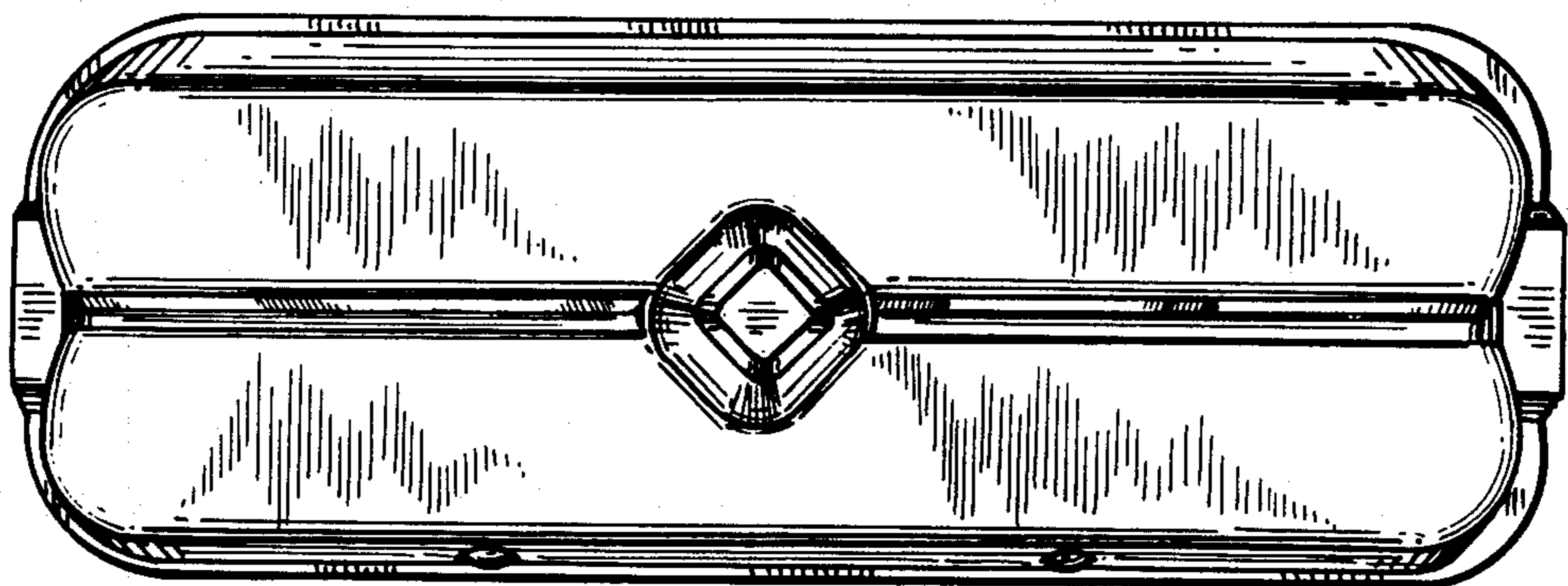


FIG. 3

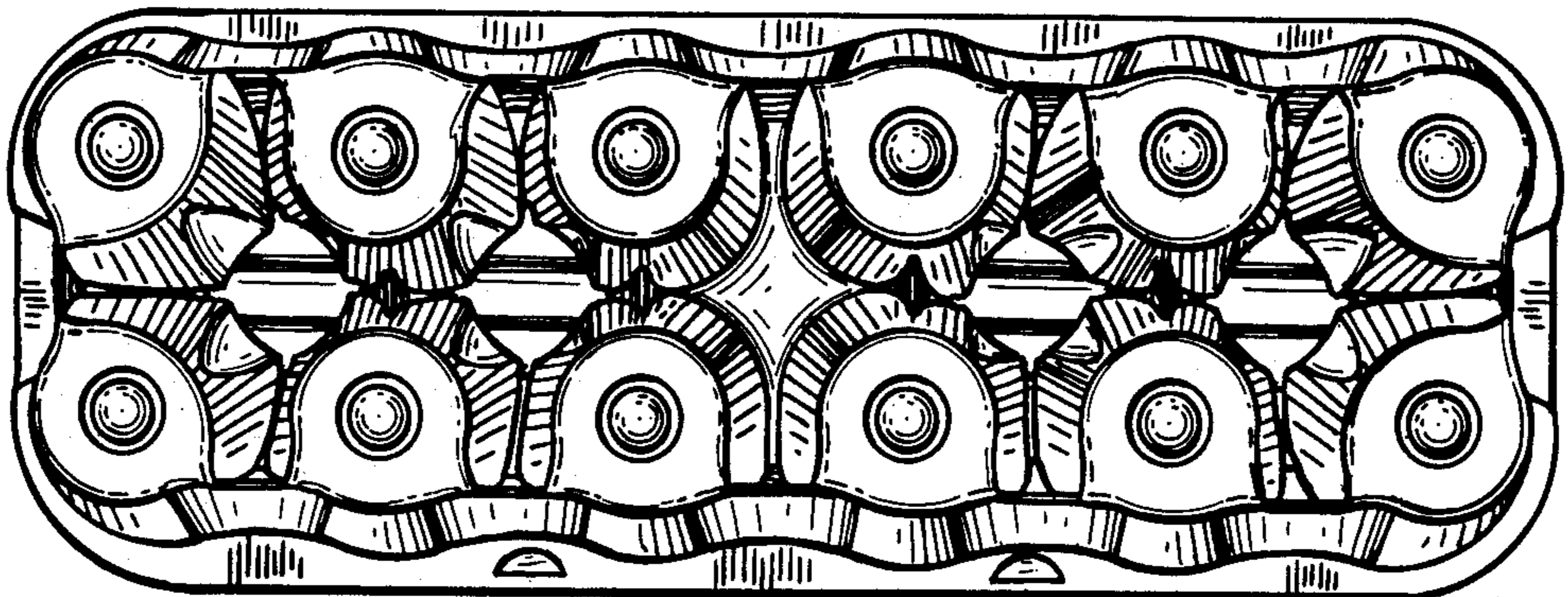


FIG. 4

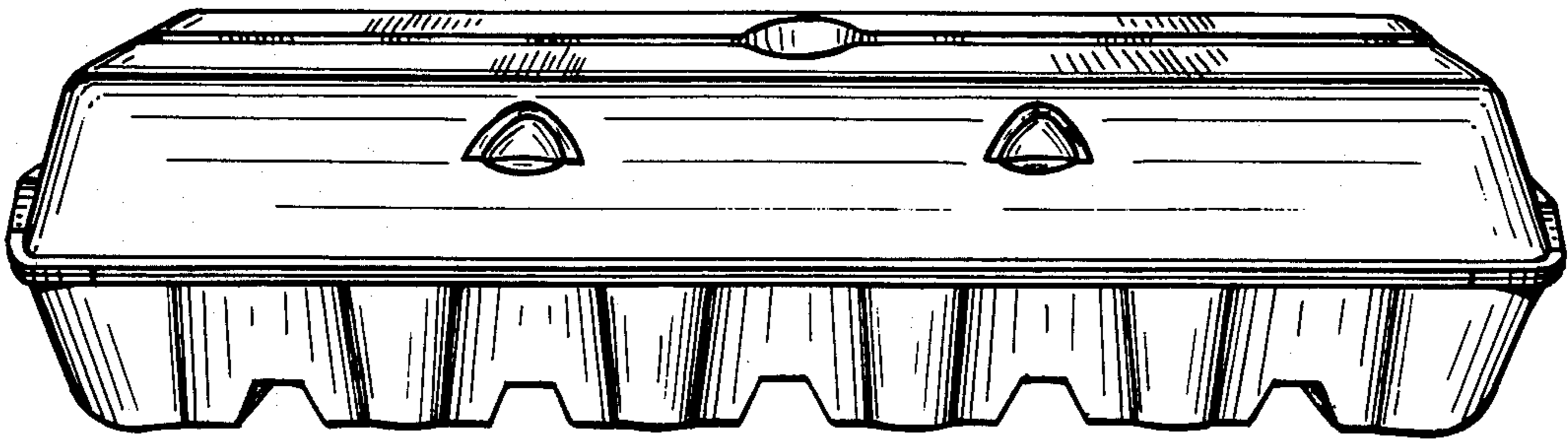


FIG. 5

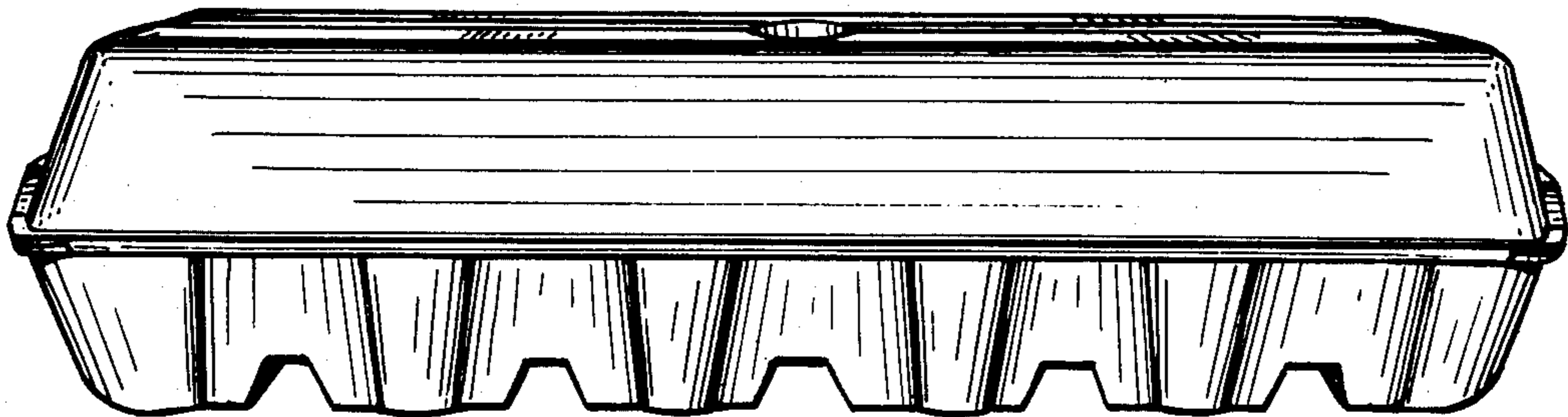


FIG. 6

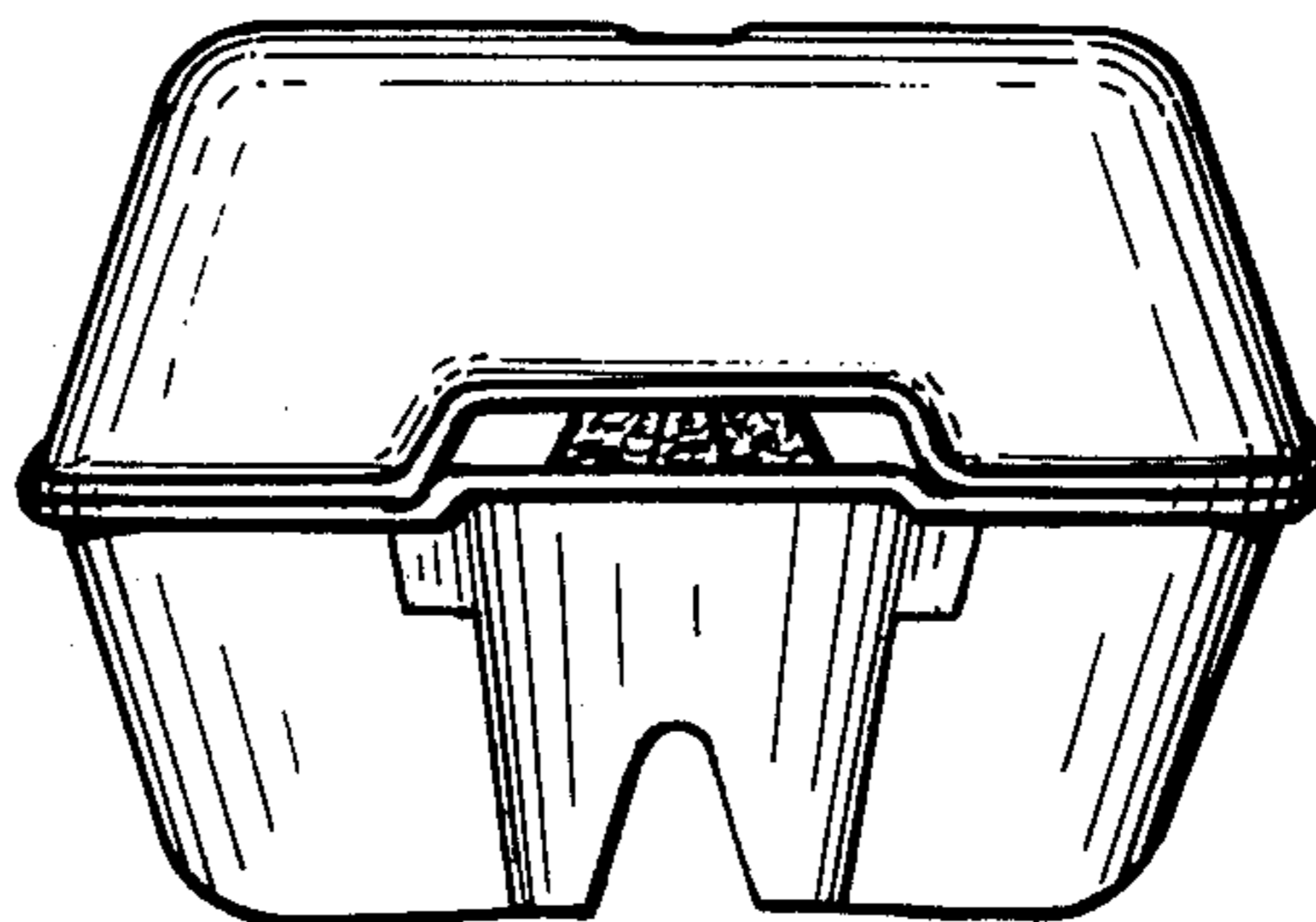


FIG. 7

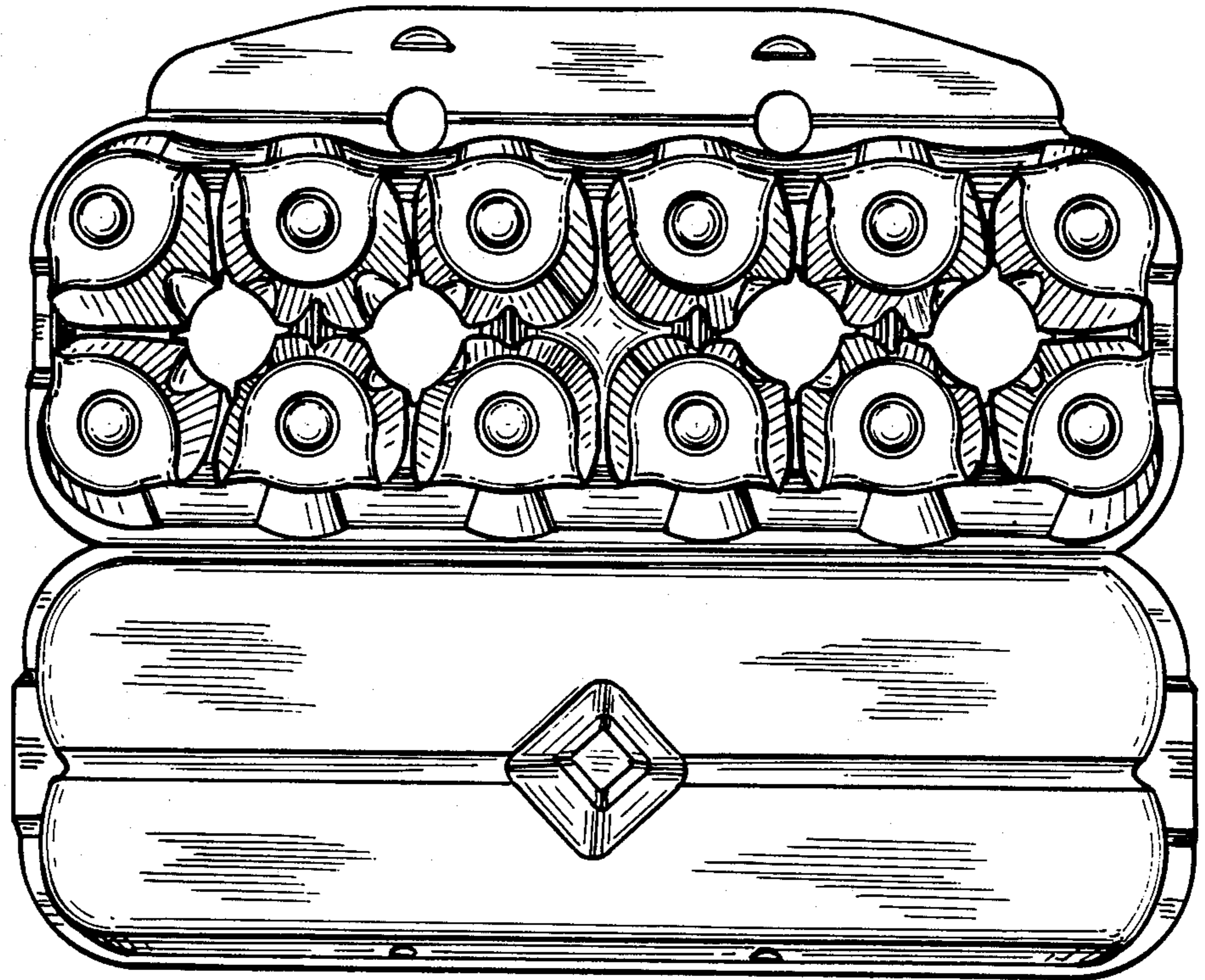


FIG. 8

