

[54] **PERFUME BOTTLE**

[75] **Inventor:** Pierre Francois Dinand, Levallois, France

[73] **Assignee:** Balenciaga S.A.

[**] **Term:** 14 Years

[21] **Appl. No.:** 653,471

[22] **Filed:** Jan. 29, 1976

[30] **Foreign Application Priority Data**

Oct. 23, 1974 France 74.38619

[51] **Int. Cl.** D9-01

[52] **U.S. Cl.** D9/167

[58] **Field of Search** D9/158-169, D9/38; 215/1 R, 1 C

[56] **References Cited**

U.S. PATENT DOCUMENTS

D. 67,625	6/1925	Terry	D9/167
D. 98,270	1/1936	McIntosh	D9/168
D. 107,688	12/1937	Lloyd	D9/167
D. 178,213	7/1956	Schwartz	D9/167
D. 235,735	7/1975	Dina	D9/168

Primary Examiner—Robert C. Spangler
Attorney, Agent, or Firm—Lawrence I. Lerner

[57] **CLAIM**

The ornamental design for a perfume bottle, substantially as shown and described.

DESCRIPTION

FIG. 1 is a perspective view of a perfume bottle showing my new design;
FIG. 2 is a side elevational view, the opposite side being the same in appearance as the side shown except that the threads on the top are complete as shown in FIG. 3;
FIG. 3 is an end elevational view, the opposite end being the same in appearance as the end shown;
FIG. 4 is a top plan view; and
FIG. 5 is a bottom plan view thereof.

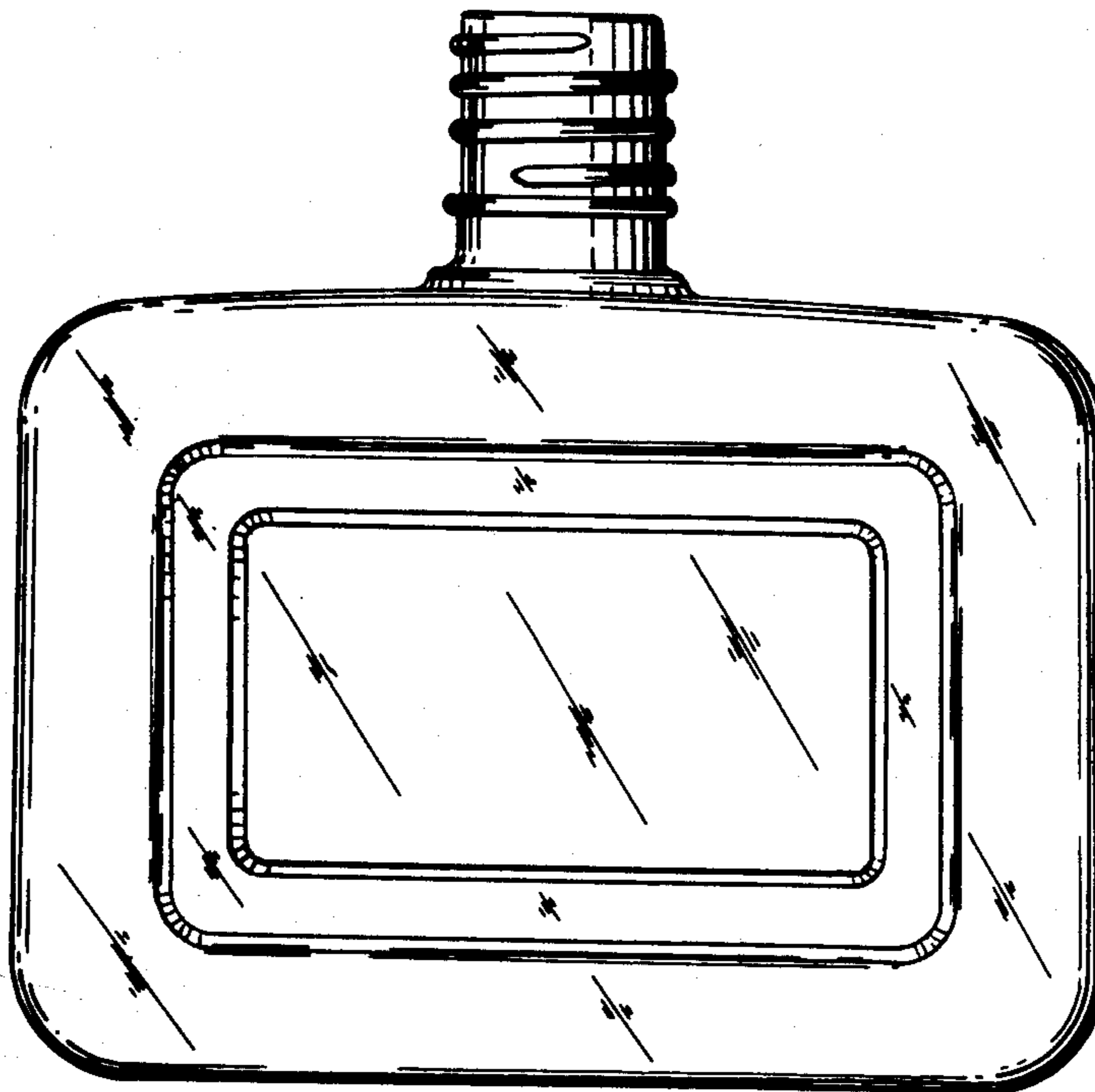


FIG. 1

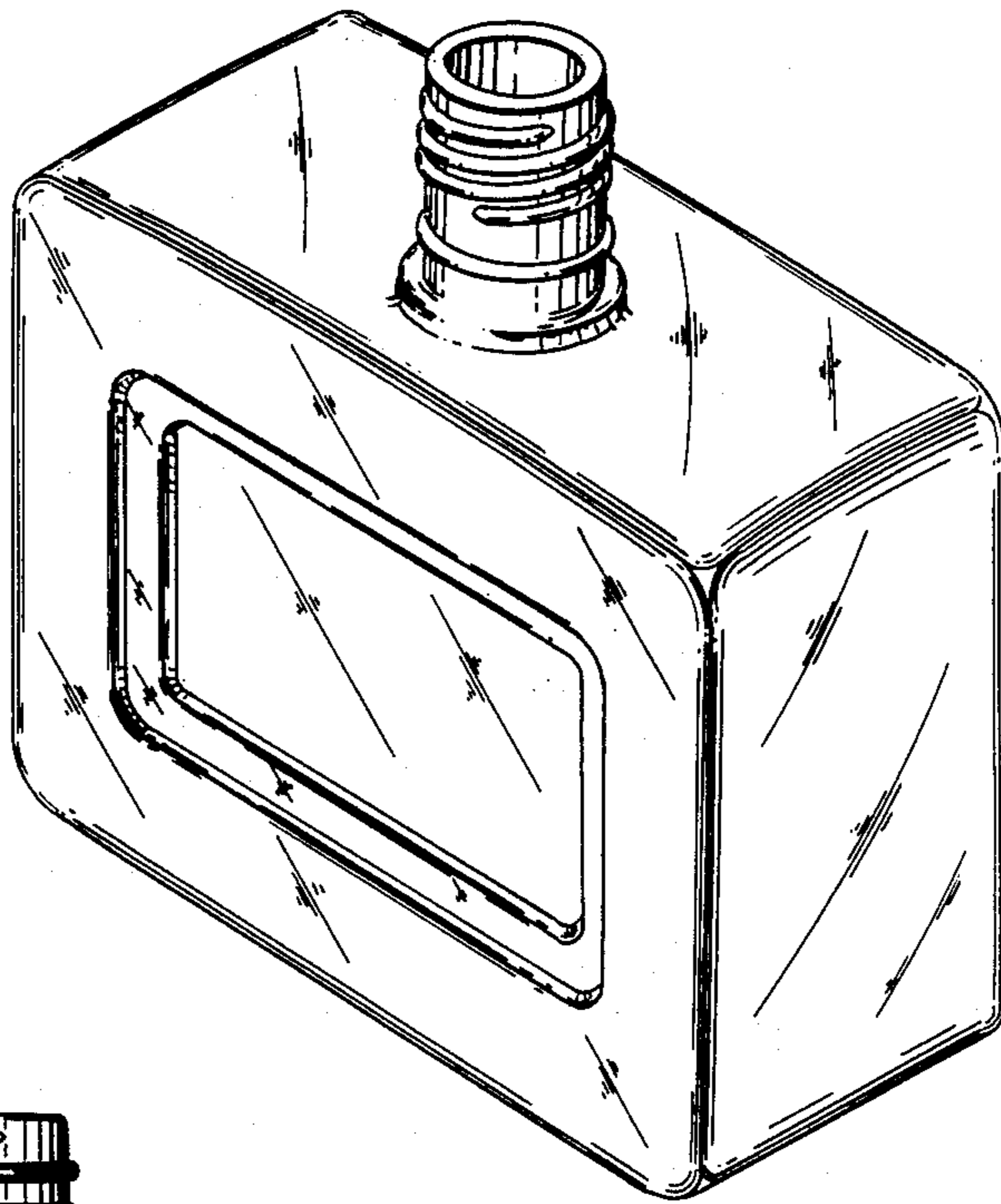


FIG. 2

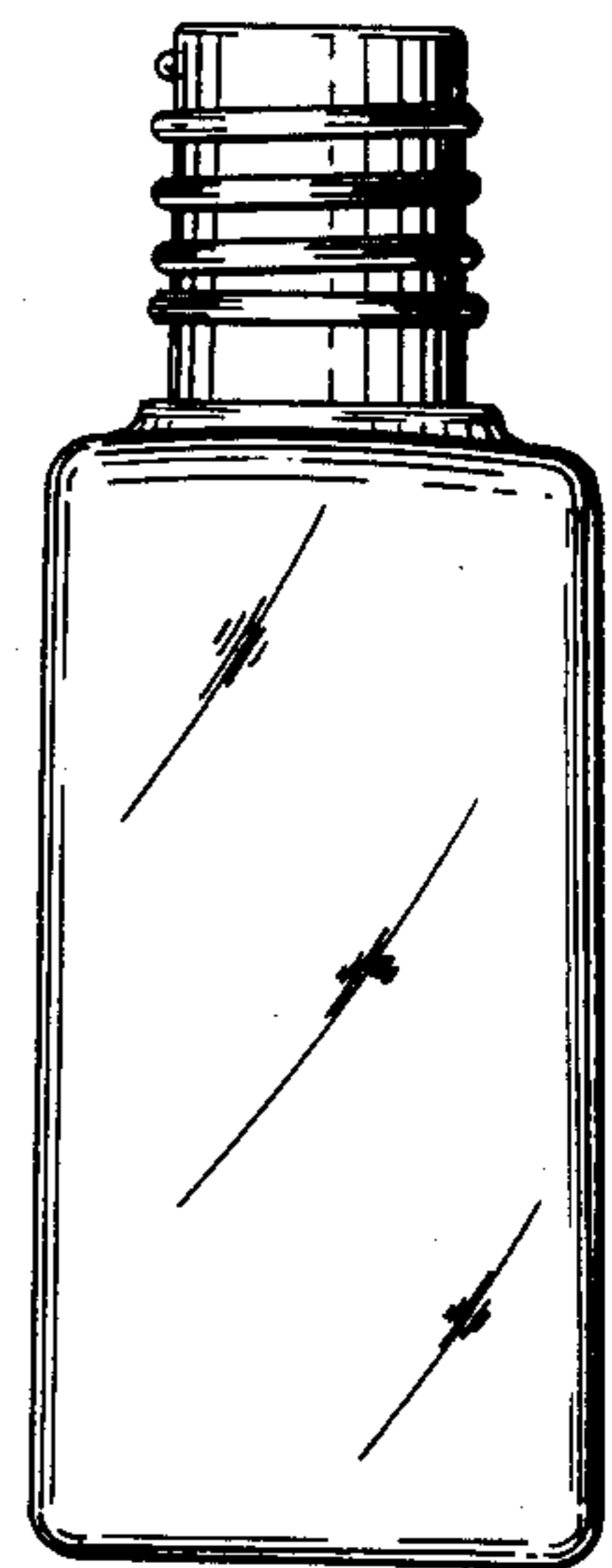
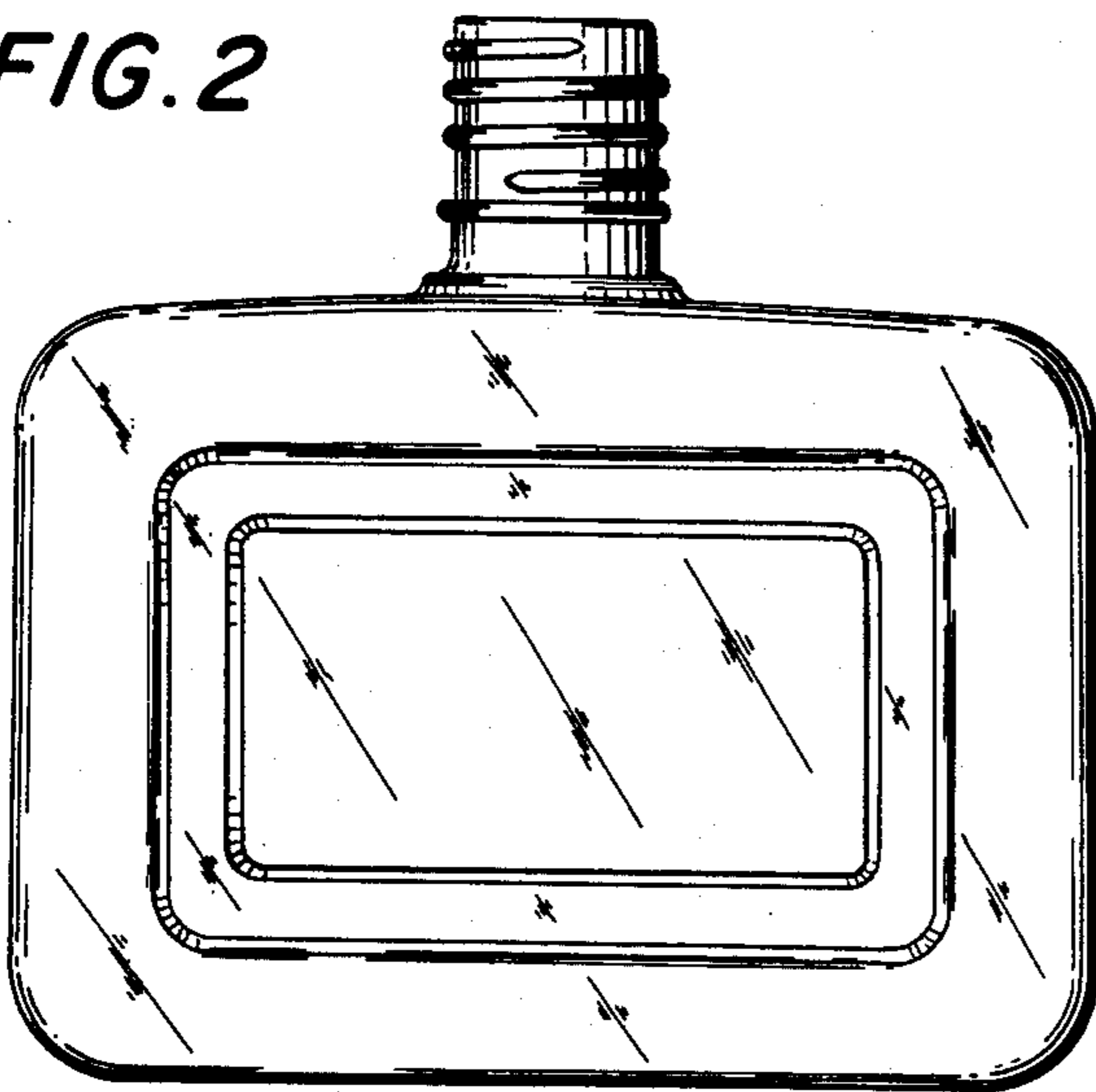


FIG. 3

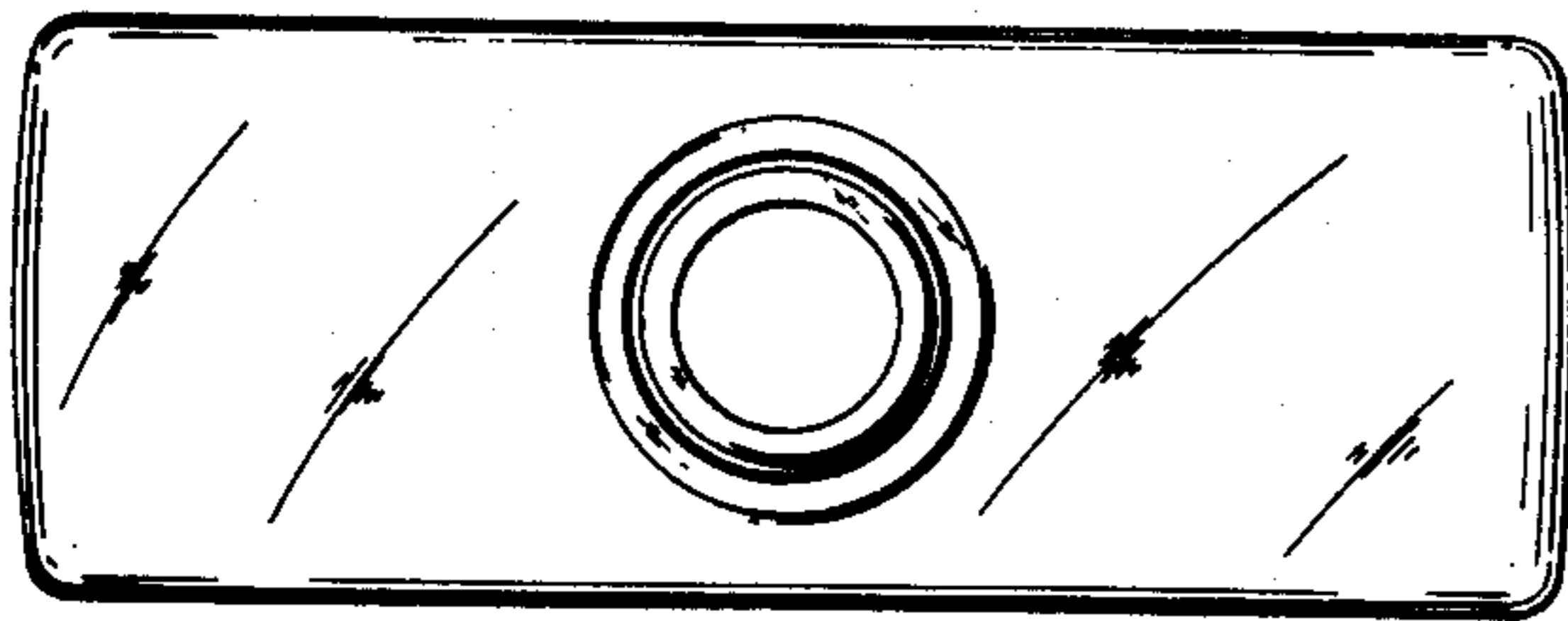


FIG. 4

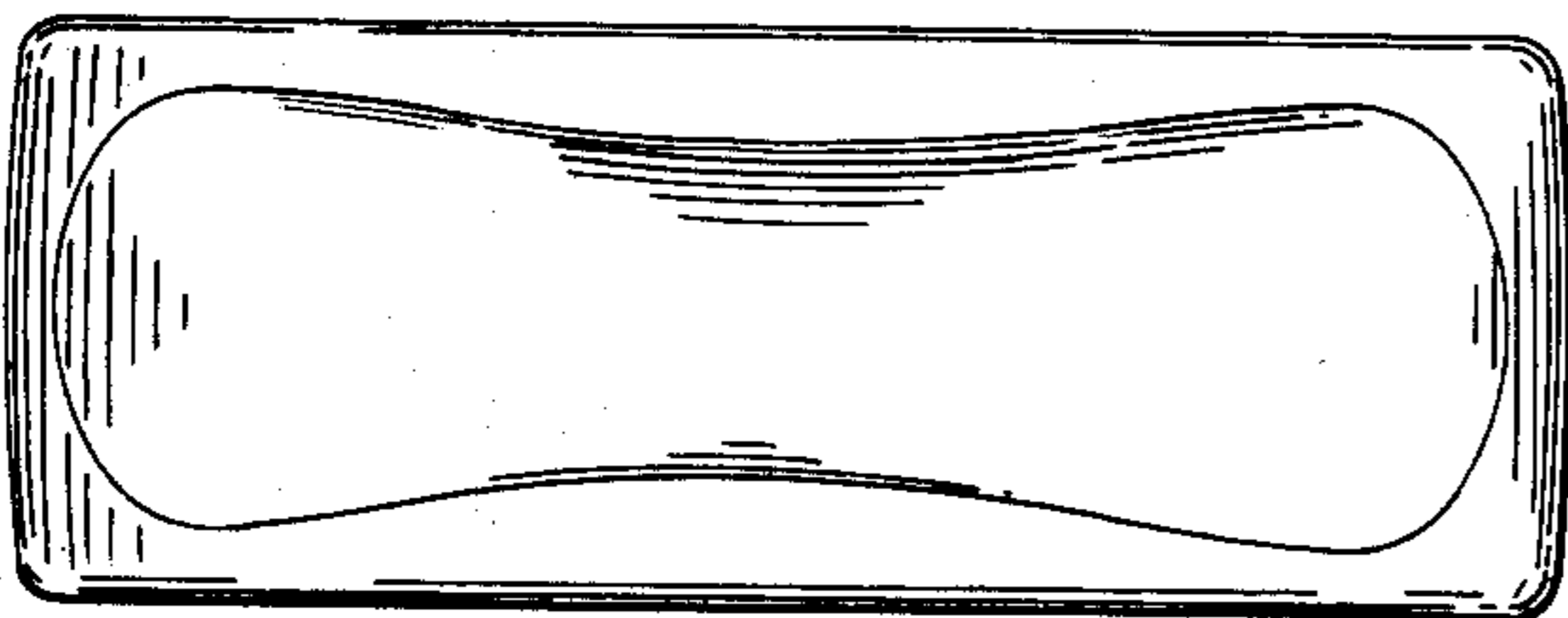


FIG. 5