

[54] BRACKET FOR HANGING DECORATIVE WOVEN WOOD SHADES

[76] Inventor: **Pero Glumac**, 15566 Stetson, Los Gatos, Calif. 95030

[**] Term: **14 Years**

[21] Appl. No.: **619,771**

[22] Filed: **Oct. 6, 1975**

[51] Int. Cl. **D8-08**

[52] U.S. Cl. **D8/363**

[58] Field of Search **D8/233, 237, 238; 248/300**

[56] **References Cited**

U.S. PATENT DOCUMENTS

2,873,091 2/1959 Kinsman 248/300 X
D. 108,596 2/1938 MacQuarrie D8/238

Primary Examiner—William N. Wertman
Attorney, Agent, or Firm—Thomas E. Schatzel

[57] **CLAIM**

The ornamental design for a bracket for hanging decorative woven wood shades substantially as shown and described.

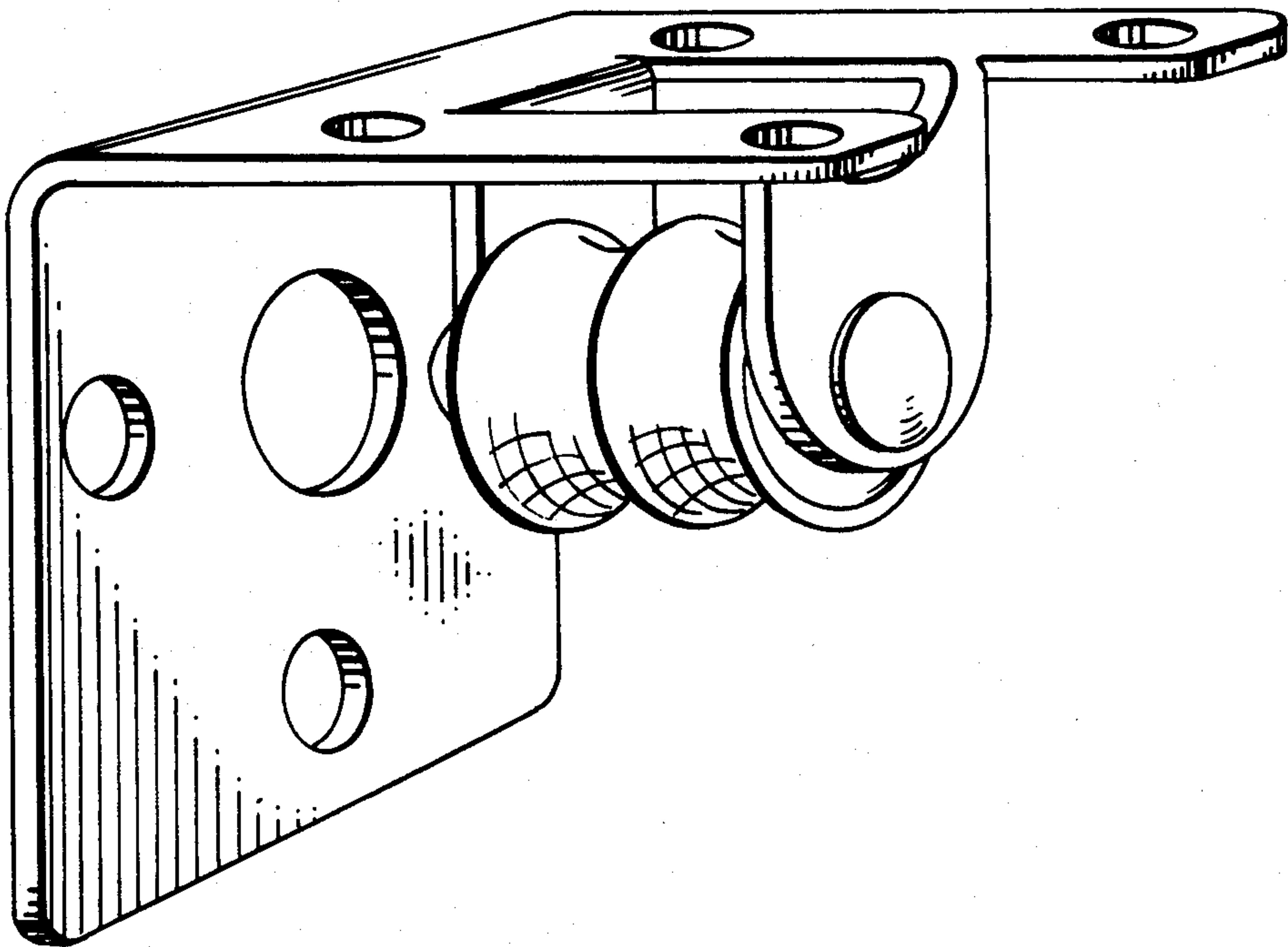
DESCRIPTION

FIG. 1 is a perspective view of a bracket for use in hanging decorative woven wood shades showing my new design;

FIG. 2 is a front elevational view thereof;

FIG. 3 is a top plan view thereof; and

FIG. 4 is a bottom plan view thereof.



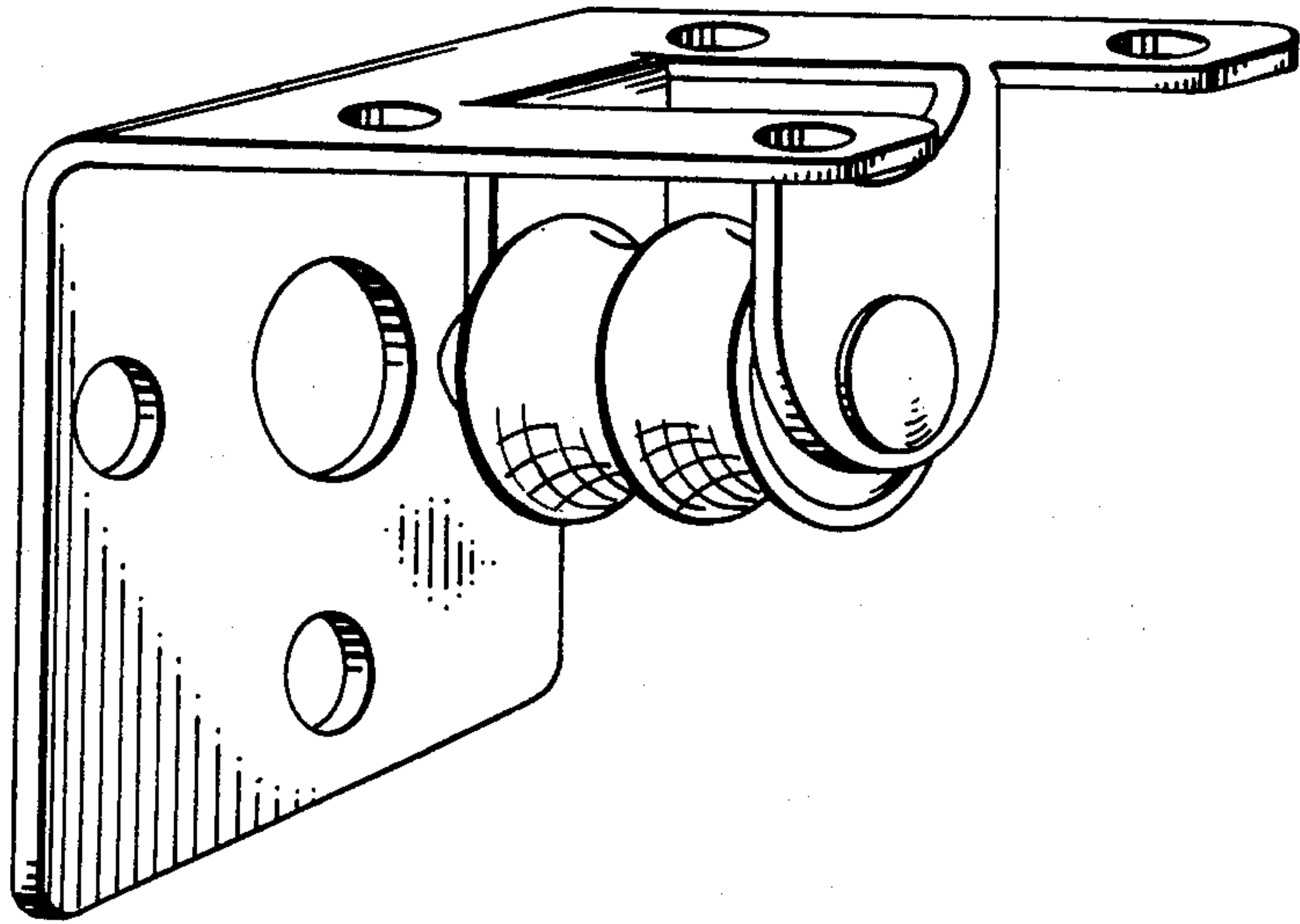


FIG. 1

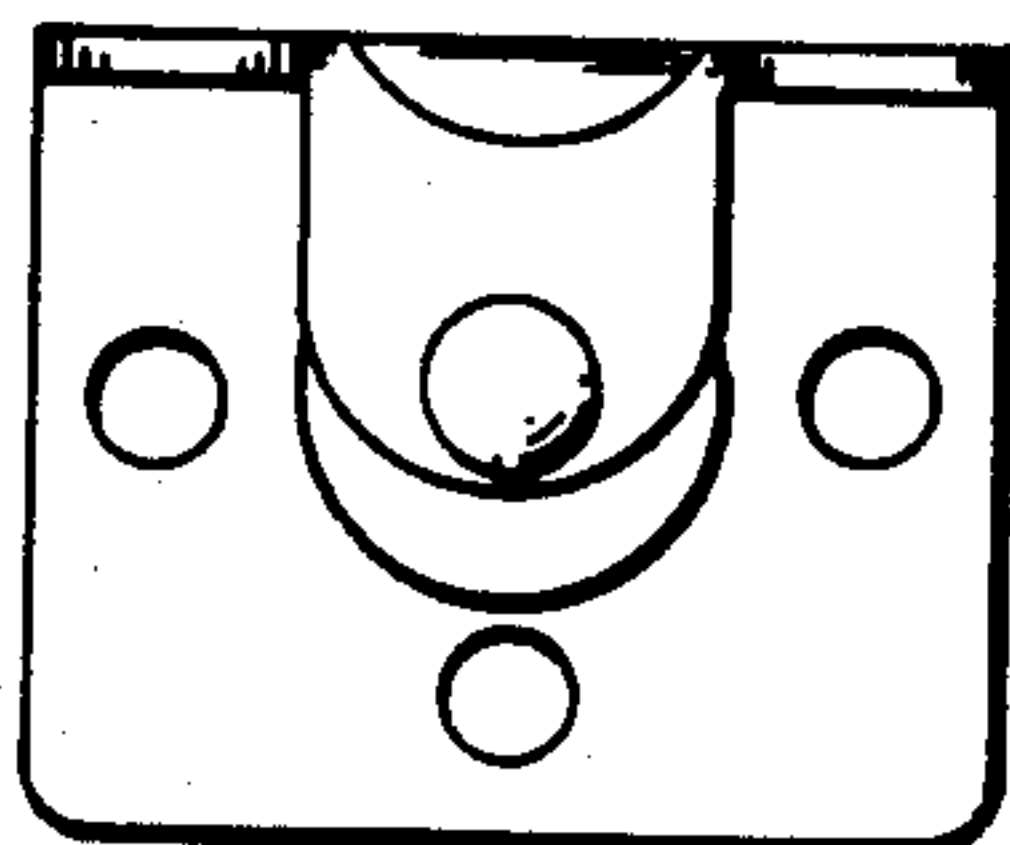


FIG. 2

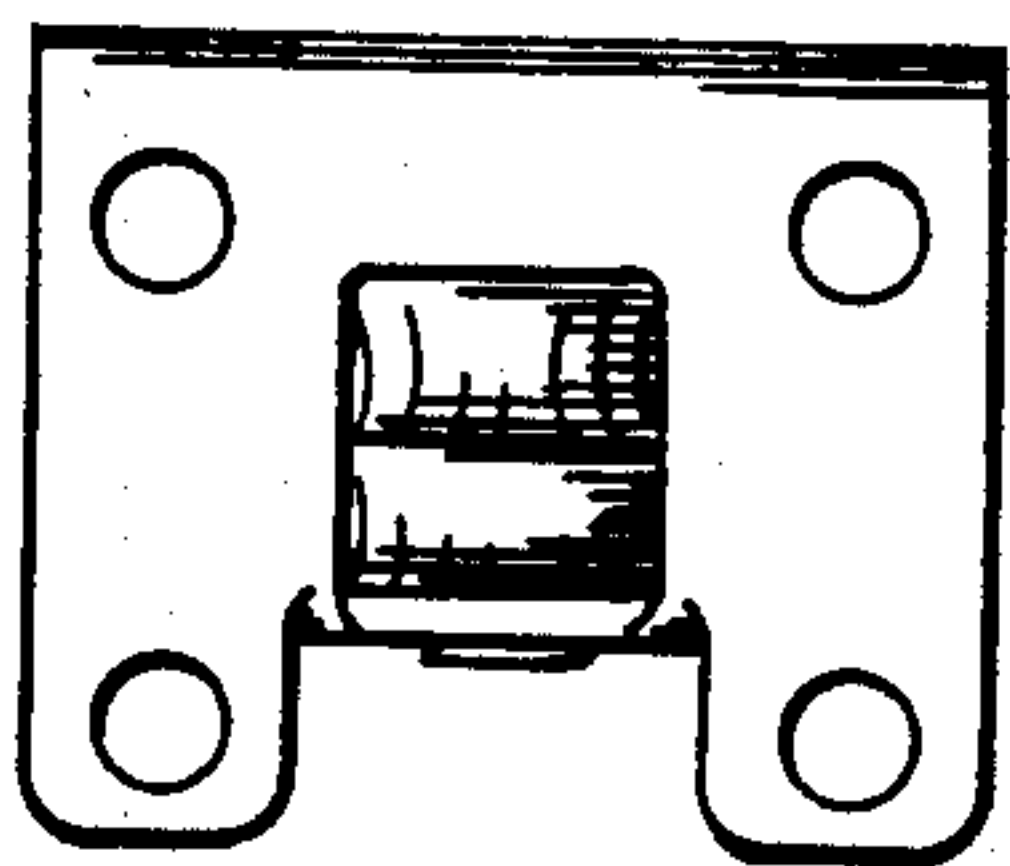


FIG. 3

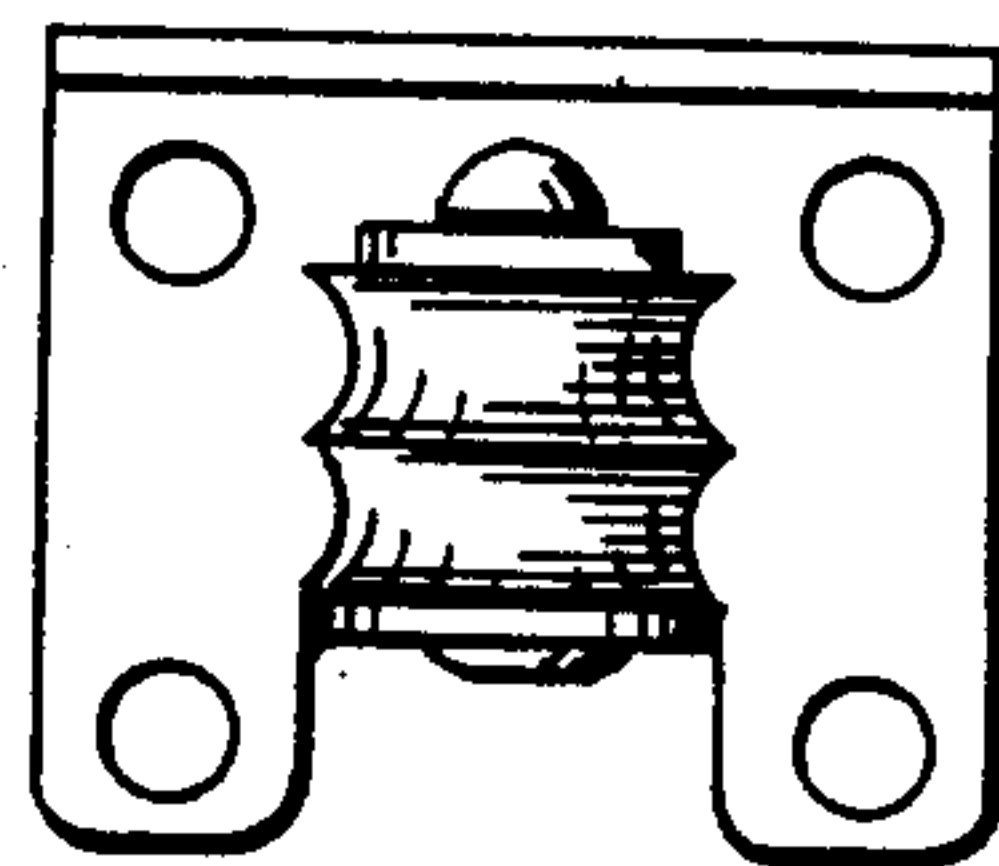


FIG. 4