

[54] DATA PROCESSING CARD HOLDER

[76] Inventor: Stephen G. Bettum, 7705 14th Ave., Brooklyn, N.Y. 11228

[\*\*] Term: 14 Years

[21] Appl. No.: 612,233

[22] Filed: Sept. 11, 1975

[51] Int. Cl. .... D3-99

[52] U.S. Cl. .... D87/1 R

[58] Field of Search ..... D26/5 R, 5 C; D64/11 R, D64/11 B, 11 C; D87/1 D, 1 R; 206/72, 387

[56] References Cited

U.S. PATENT DOCUMENTS

2,463,106	3/1949	Hocker	206/72 X
2,781,180	2/1957	Malta-Nielsen	206/72 X
D. 16,881	8/1886	Dwight	D64/11 R

D. 156,462	8/1948	Reynolds	D87/1 R
D. 179,023	10/1956	Mestre	D64/11 B
D. 231,148	4/1974	Ruskin	D87/1 D
D. 239,472	4/1976	Clowe	D87/1 R

OTHER PUBLICATIONS

Design, Jan., 1973, p. 141, top row left.

Primary Examiner—Wallace R. Burke

Assistant Examiner—Christine M. Nucker

Attorney, Agent, or Firm—David S. Kane

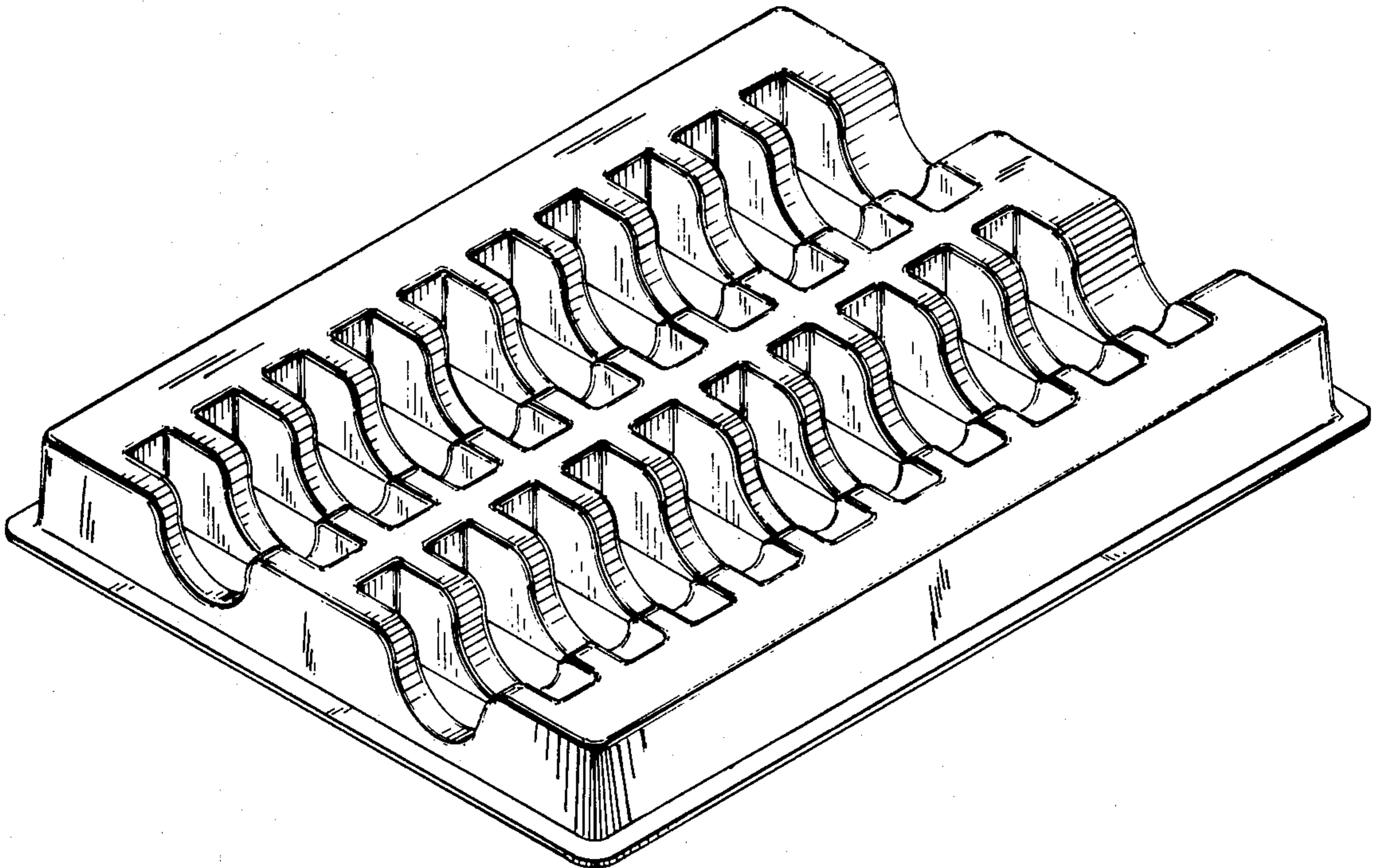
[57] CLAIM

The ornamental design for a data processing card holder, as shown and described.

DESCRIPTION

FIG. 1 is a perspective view as seen from the top front and one side with the rear and other side being identical.

The bottom is plane and unornamented.



*FIG. 1*

