

[54] **EXPLOSION PROOF FLUORESCENT LAMP FOR MINES OR THE LIKE**

[75] **Inventor:** Perfecto Dacal, Beckley, W. Va.

[73] **Assignee:** Control Products Inc., Beckley, W. Va.

[**] **Term:** 14 Years

[21] **Appl. No.:** 680,048

[22] **Filed:** Apr. 26, 1976

[51] **Int. Cl.** D26-05

[52] **U.S. Cl.** D48/20 E

[58] **Field of Search** D48/20 E, 23 A; 240/51.11, 11.2 R, 11.2 E, 18, 102 R

[56] **References Cited**

U.S. PATENT DOCUMENTS

2,161,621	6/1939	Fernandez	240/11.2 R
2,392,202	1/1946	Tornblom	240/11.2 R
2,492,852	12/1949	Fine	240/102 R X
3,348,039	10/1967	Schrage et al.	240/102 R X
3,675,006	7/1972	Zagel et al.	240/51.11 R X

D. 140,504 3/1945 Gleason D48/23 A

Primary Examiner—Susie J. Mercer
Attorney, Agent, or Firm—William E. Lucas

[57] **CLAIM**

The ornamental design for an explosion proof fluorescent lamp for mines or the like, substantially as shown and described.

DESCRIPTION

FIG. 1 is a perspective view of an explosion proof lamp for mines or the like showing my new design; FIGS. 2 and 3 are perspective views of further embodiments of my design; FIGS. 4 and 5 are respectively right and left end elevational views on an enlarged scale, common to all embodiments; and FIGS. 6, 7 and 8 are respectively top, side and bottom views on an enlarged scale of the embodiment shown in FIG. 1.

The conduits for electrical conductors are shown in broken lines in FIGS. 1, 2 and 3 for illustrative purposes only.

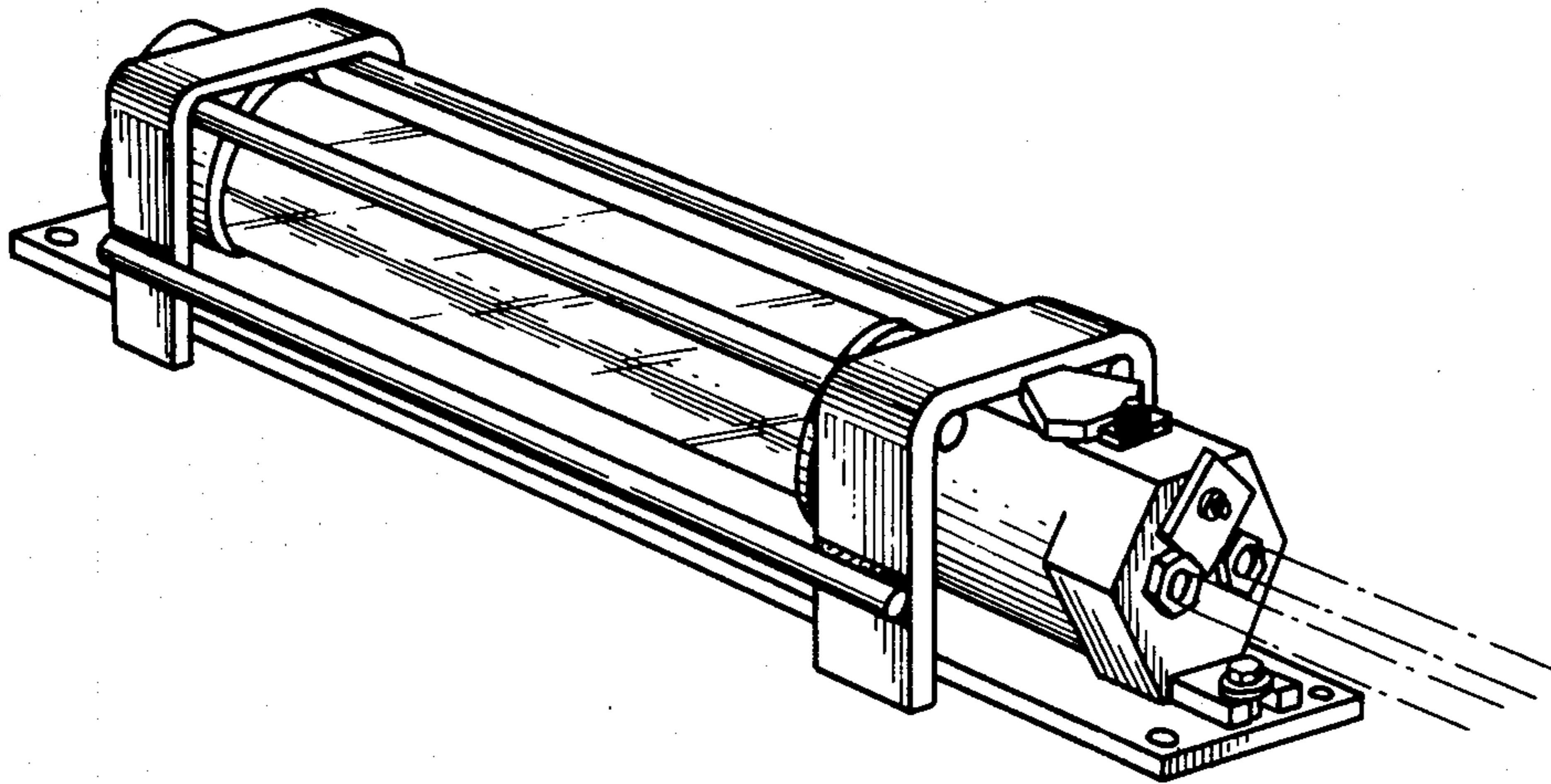


Fig 1

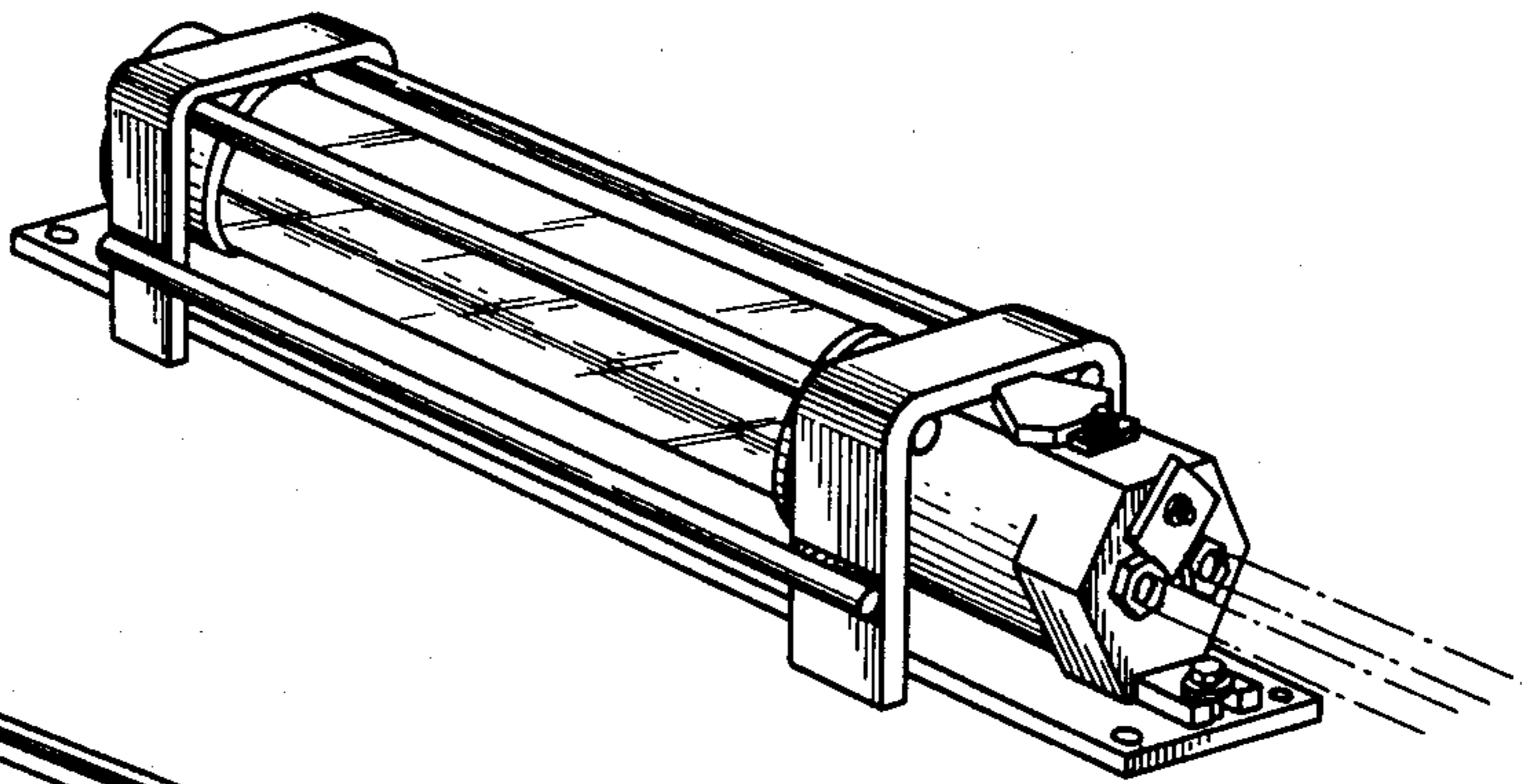


Fig 2

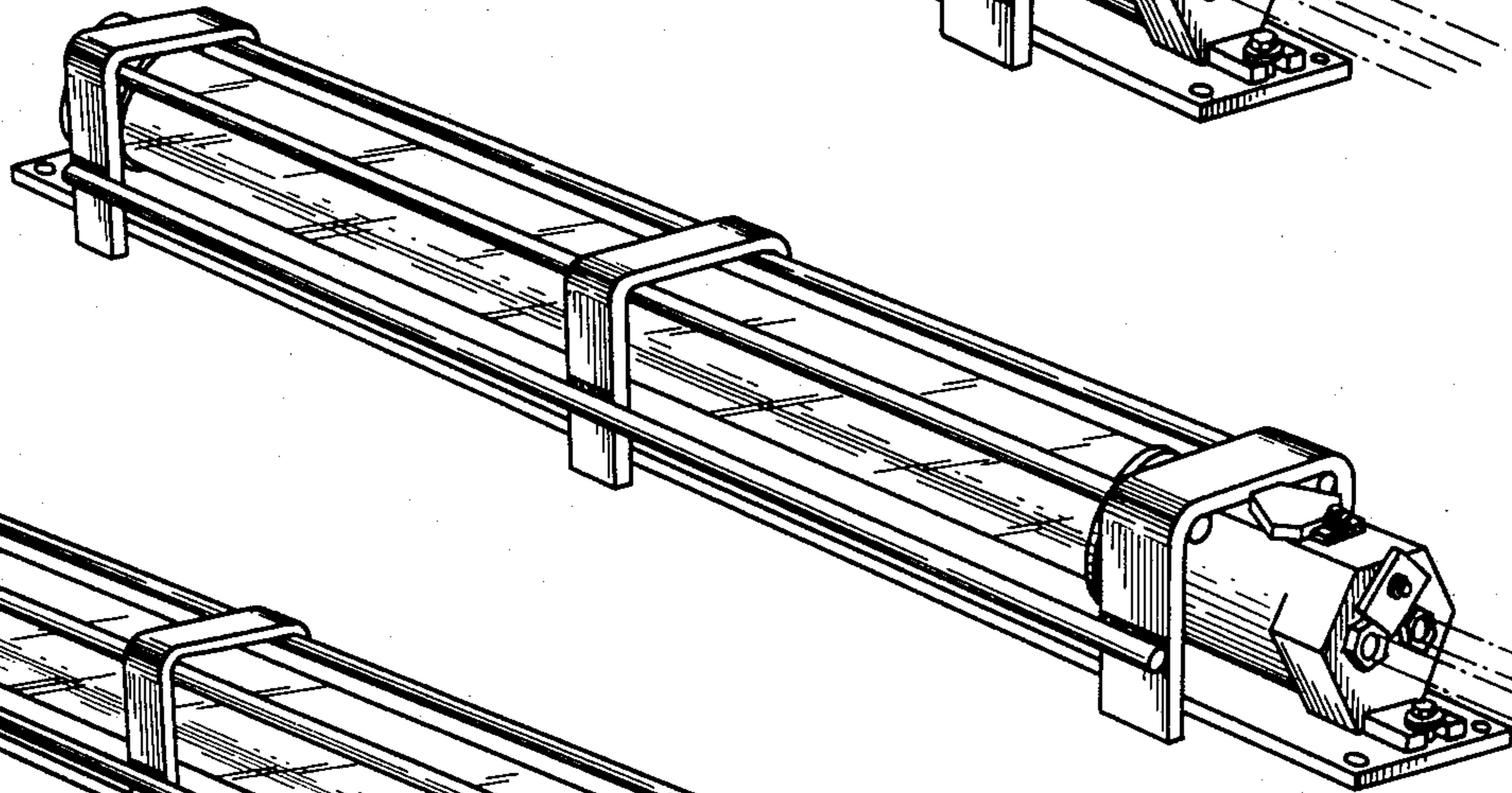


Fig 3

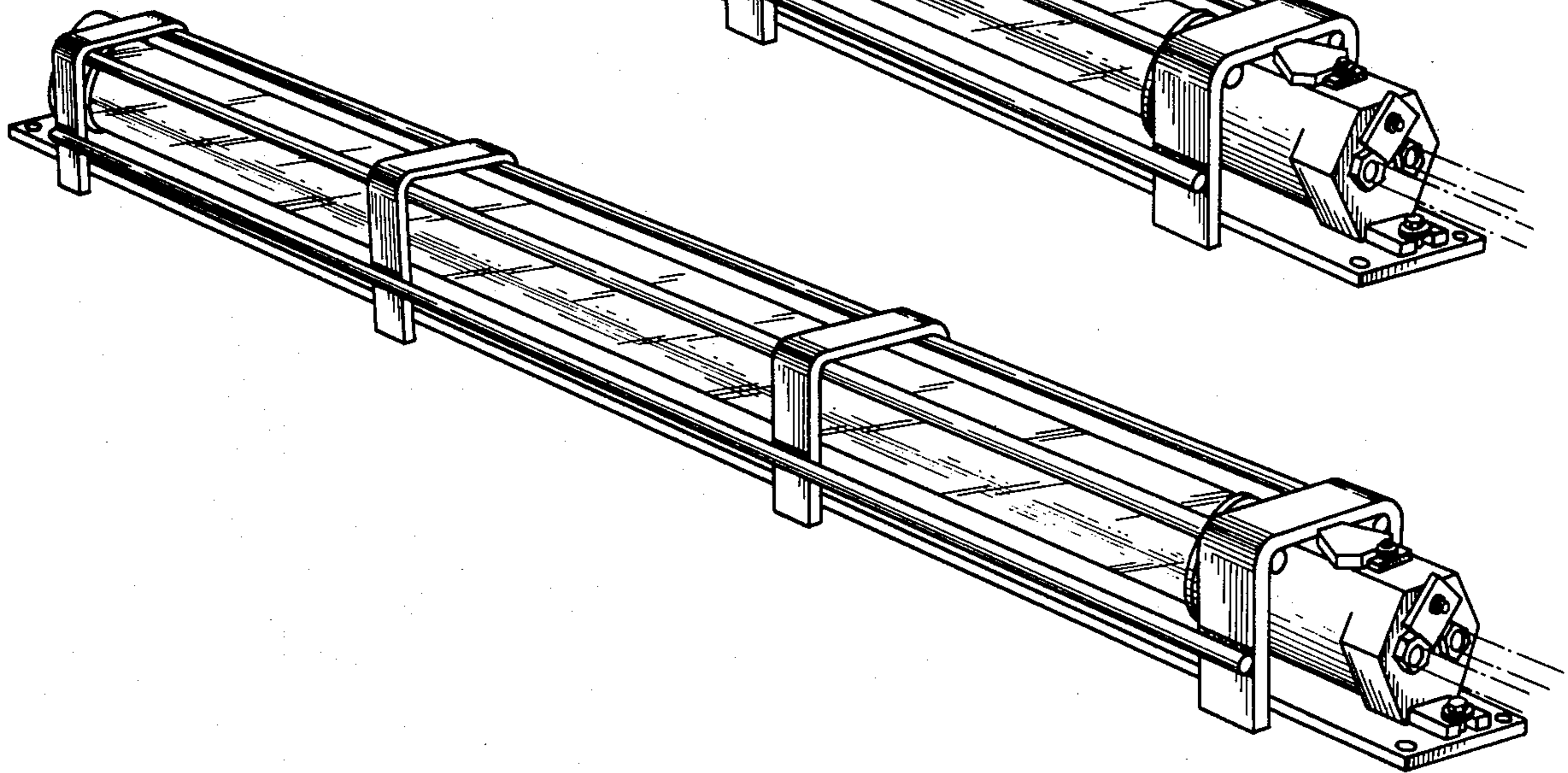


Fig 4

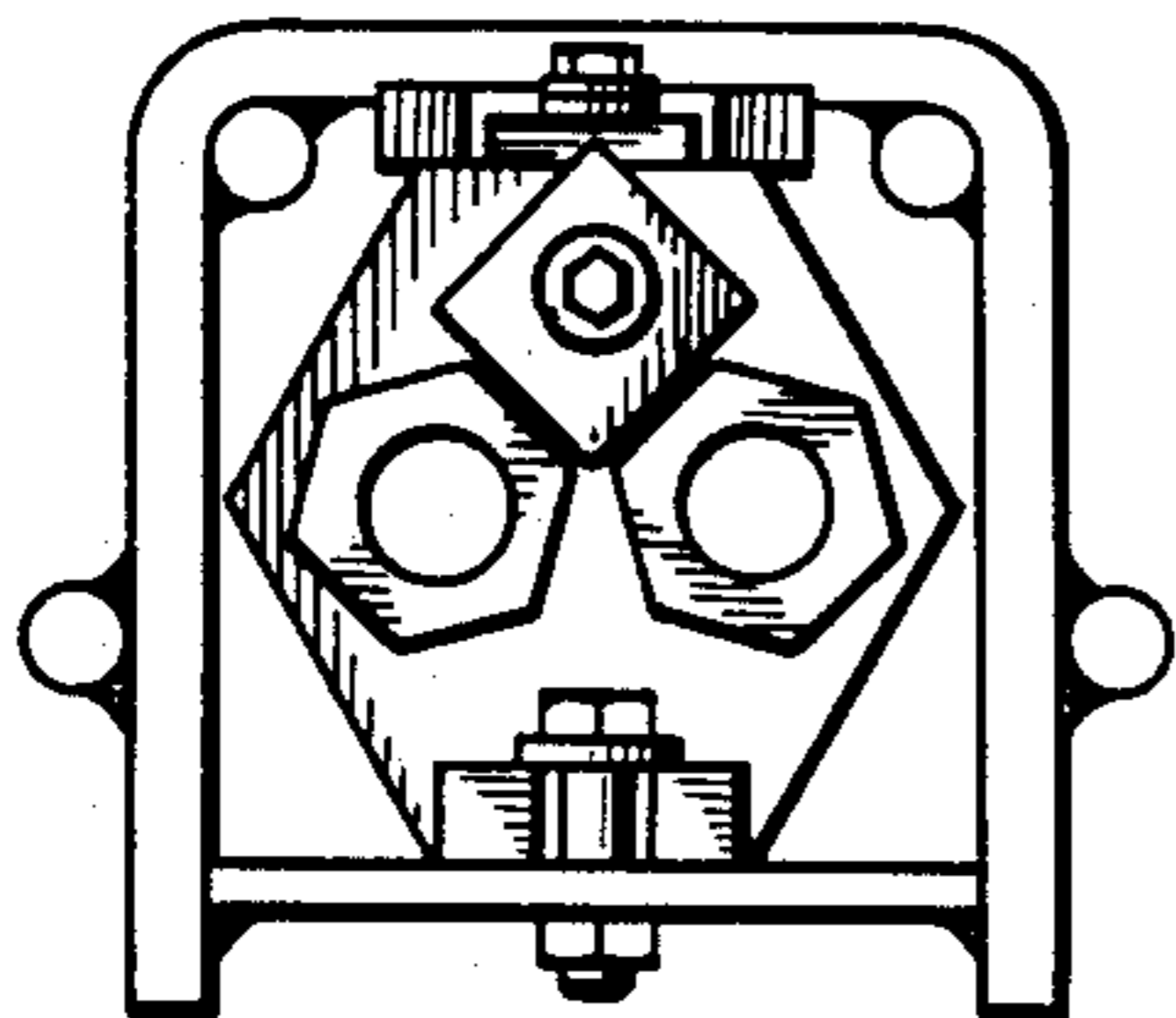


Fig 5

