

[54] HOUSING FOR A FLUSH MOUNTED STEREO SPEAKER

[76] Inventor: Donn A. Zuroski, 4032 IZARD ST., (Apt. No. 2), Omaha, Nebr. 68131

[**] Term: 14 Years

[21] Appl. No.: 602,558

[22] Filed: Aug. 7, 1975

[51] Int. Cl. D14-01

[52] U.S. Cl. D14/37

[58] Field of Search 181/147; 179/1; D26/14 G; D56/4 R, 4 B, 4 C; D48/20 D

[56] References Cited

U.S. PATENT DOCUMENTS

2,915,588 12/1959 Bose 181/147 X

D. 195,146 6/1963 Erickson D26/14 G
D. 211,581 7/1968 Lee D26/14 G

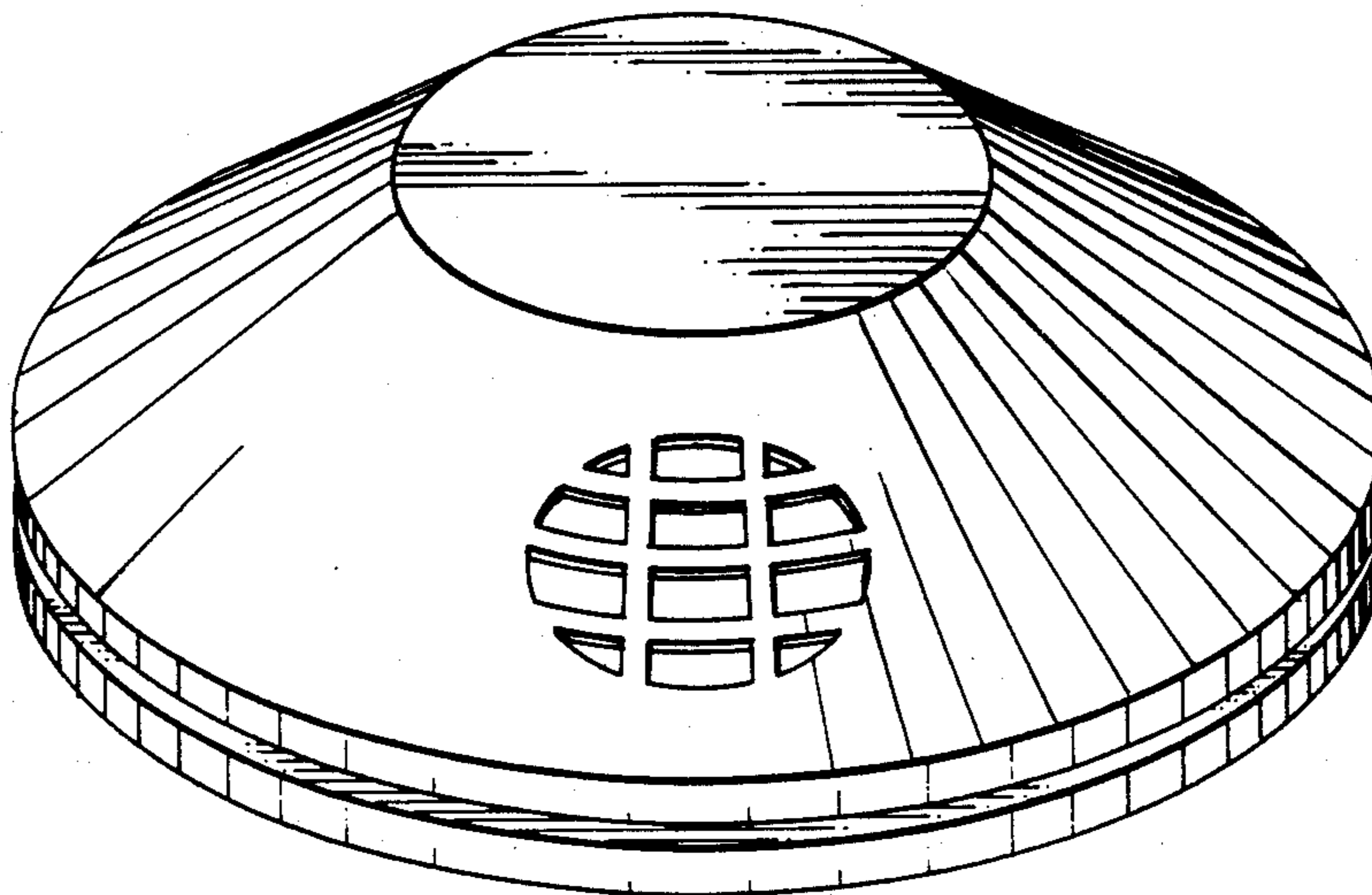
Primary Examiner—Bernard Ansher
Attorney, Agent, or Firm—George R. Nimmer

[57] CLAIM

The ornamental design for a housing for a flush mounted stereo speaker, substantially as shown and described.

DESCRIPTION

FIG. 1 is a perspective view of my new design for a housing for a flush mounted stereo speaker; FIG. 2 is a sectional elevational view taken along lines 2-2 of FIGS. 3 and 4; FIG. 3 is a bottom plan view thereof; and FIG. 4 is an elevational view taken along line 4-4 of FIG. 3.



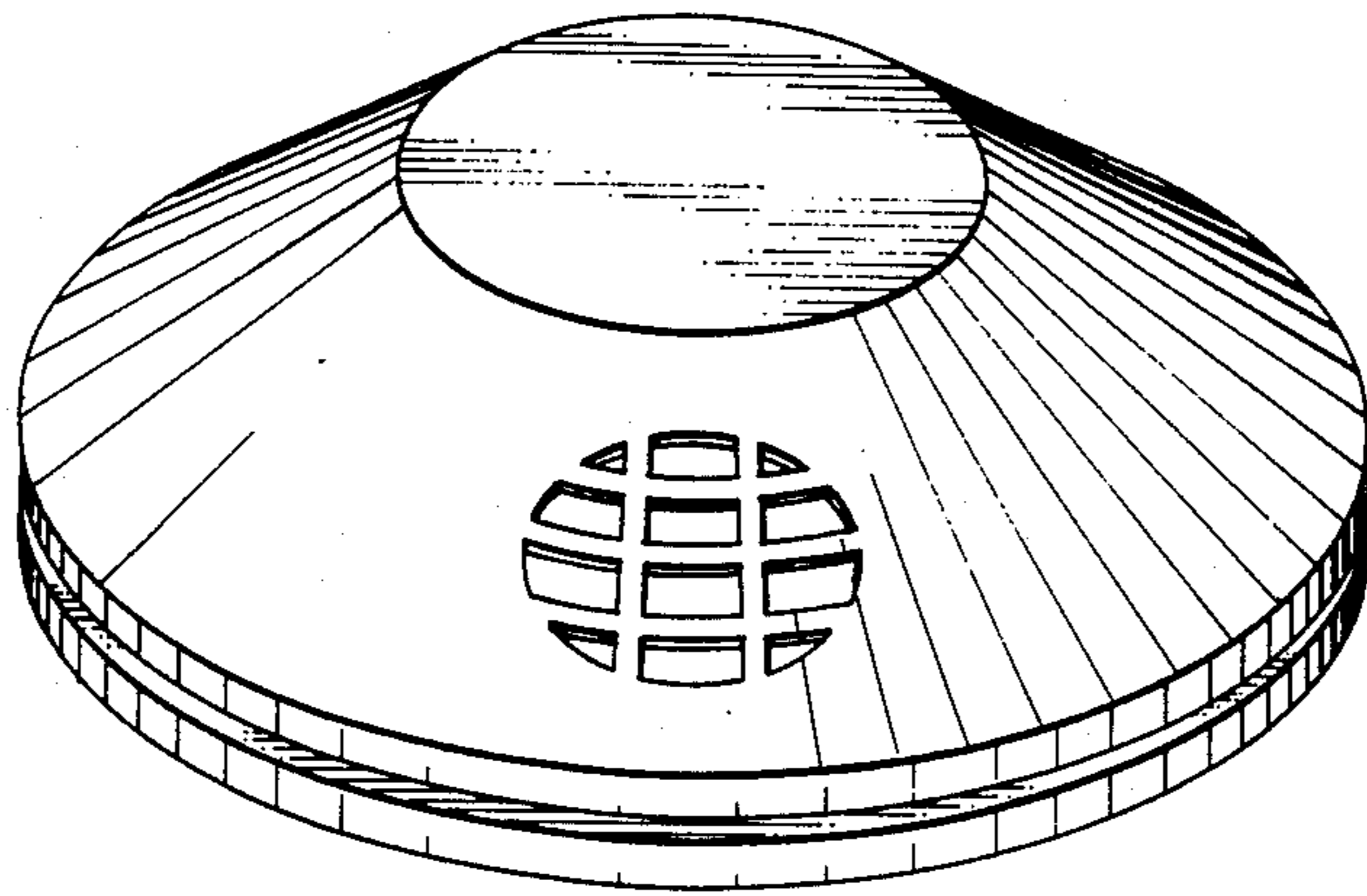


FIG. 1

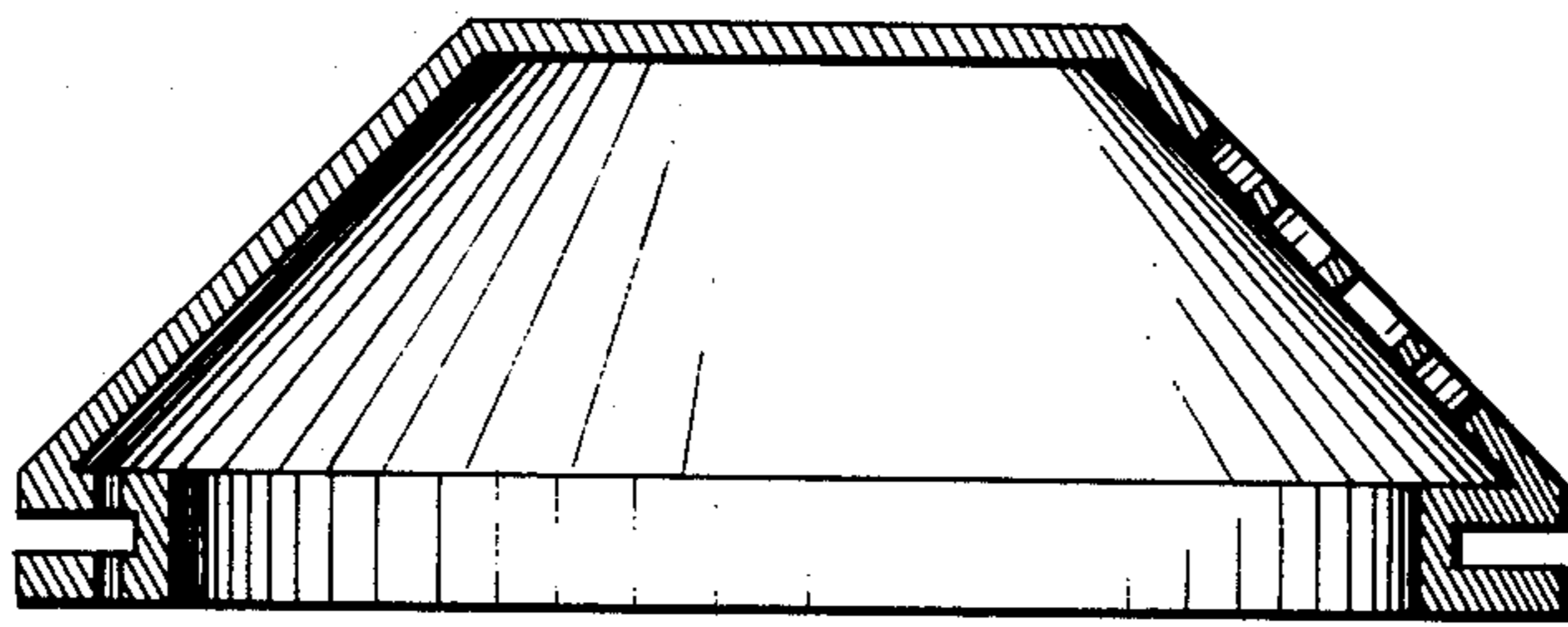


FIG. 2

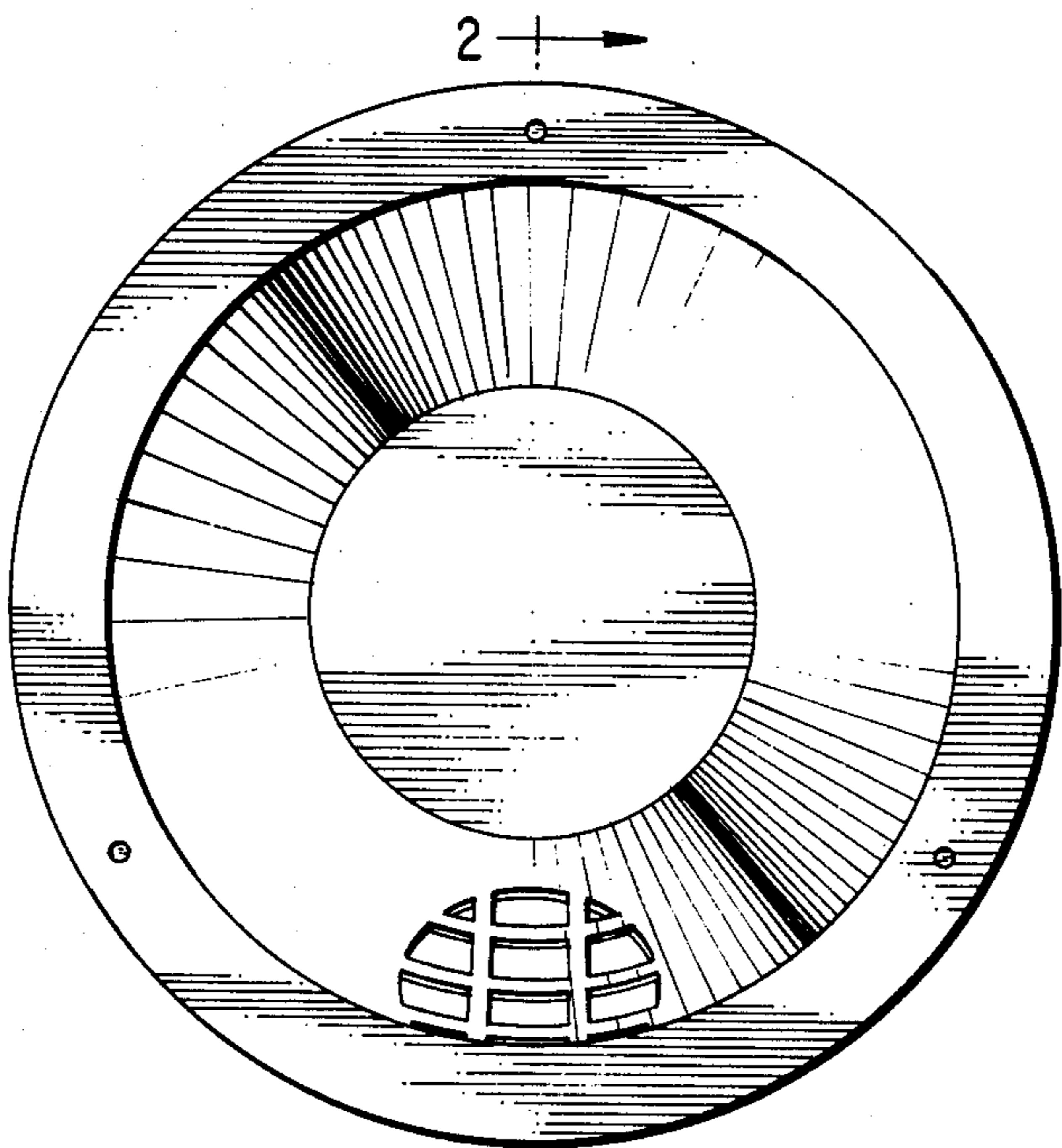


FIG. 3

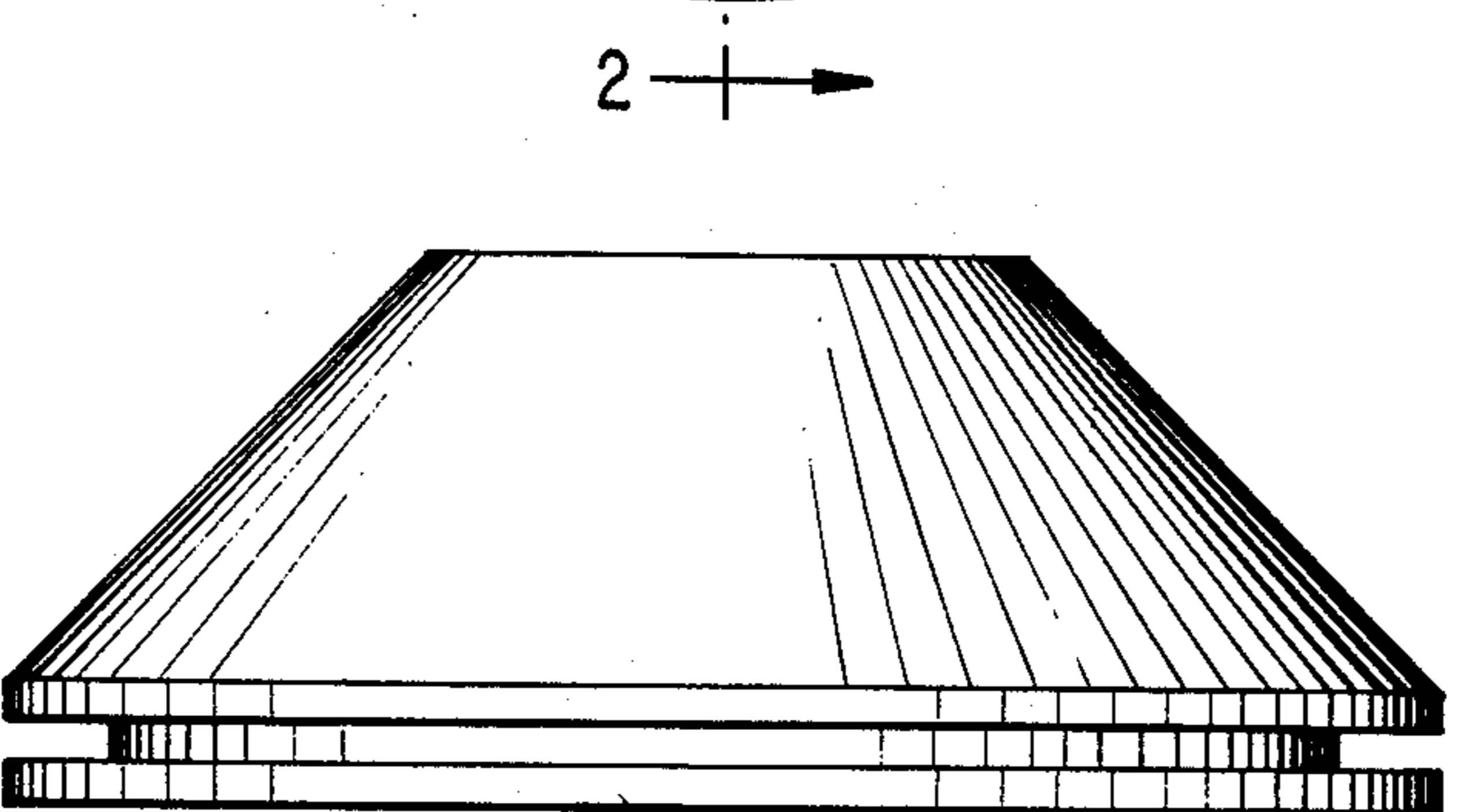


FIG. 4