

[54] DENTAL FLOSS HOLDER

[76] Inventors: **Joseph C. Dennesen**, 62 Bridge St., Beverly, Mass. 01906; **Colin F. Chisholm**, 19 Floyd Ave., Lynn, Mass. 01904

[\*\*] Term: **14 Years**

[21] Appl. No.: **564,230**

[22] Filed: **Apr. 2, 1975**

[51] Int. Cl. .... **D28-01; D24-99**

[52] U.S. Cl. .... **D28/64**

[58] Field of Search ..... **D24/1 D; 132/91, 92 R, 132/92 A, 90**

[56] **References Cited**

**U.S. PATENT DOCUMENTS**

2,217,917	10/1940	Munro .....	132/92 R
3,376,876	4/1969	Wicklund .....	D24/1 D
D. 221,149	7/1971	Davis .....	D24/1 D
D. 227,766	7/1973	Scherffius .....	D24/1 D

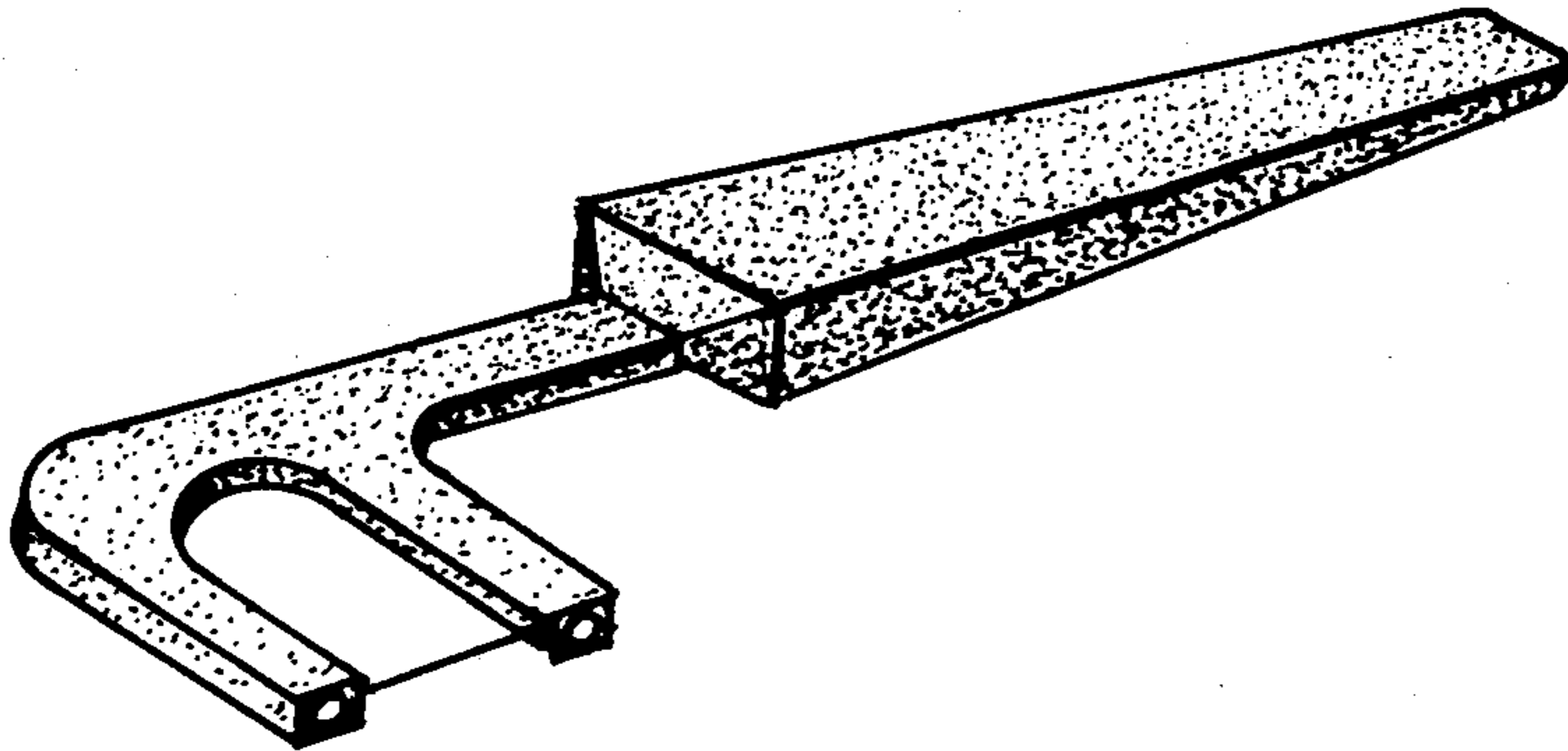
*Primary Examiner*—Bernard Ansher  
*Attorney, Agent, or Firm*—Thomas C. Stover, Jr.

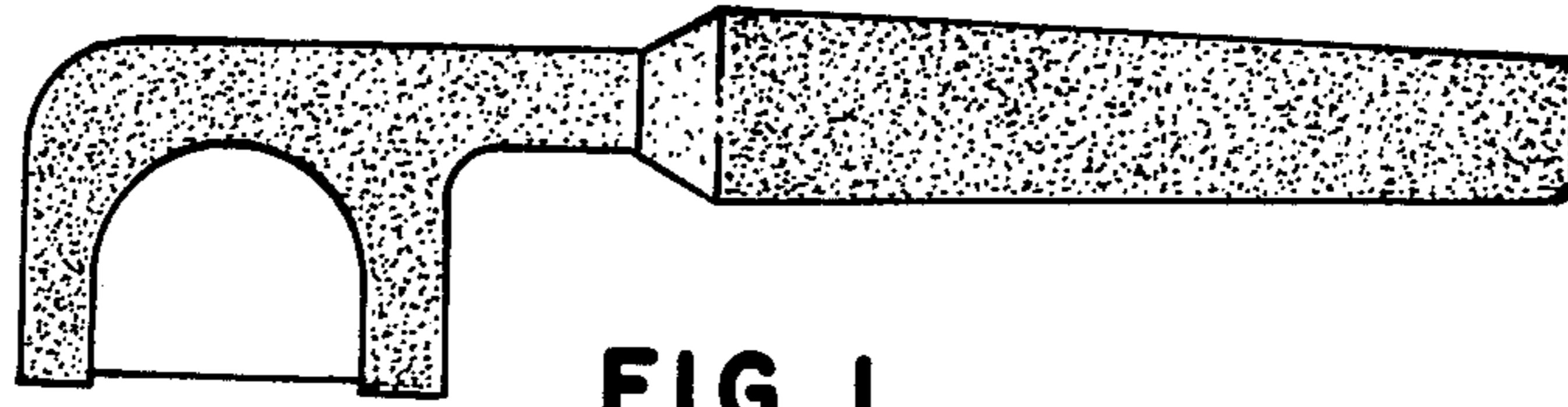
[57] **CLAIM**

The ornamental design for a dental floss holder, as shown.

**DESCRIPTION**

FIG. 1 is a plan view of a dental floss holder showing our new design;  
FIG. 2 is a side elevation thereof;  
FIG. 3 is a front elevation thereof;  
FIG. 4 is a rear elevation thereof; and  
FIG. 5 is an isometric view thereof.





**FIG. 1**



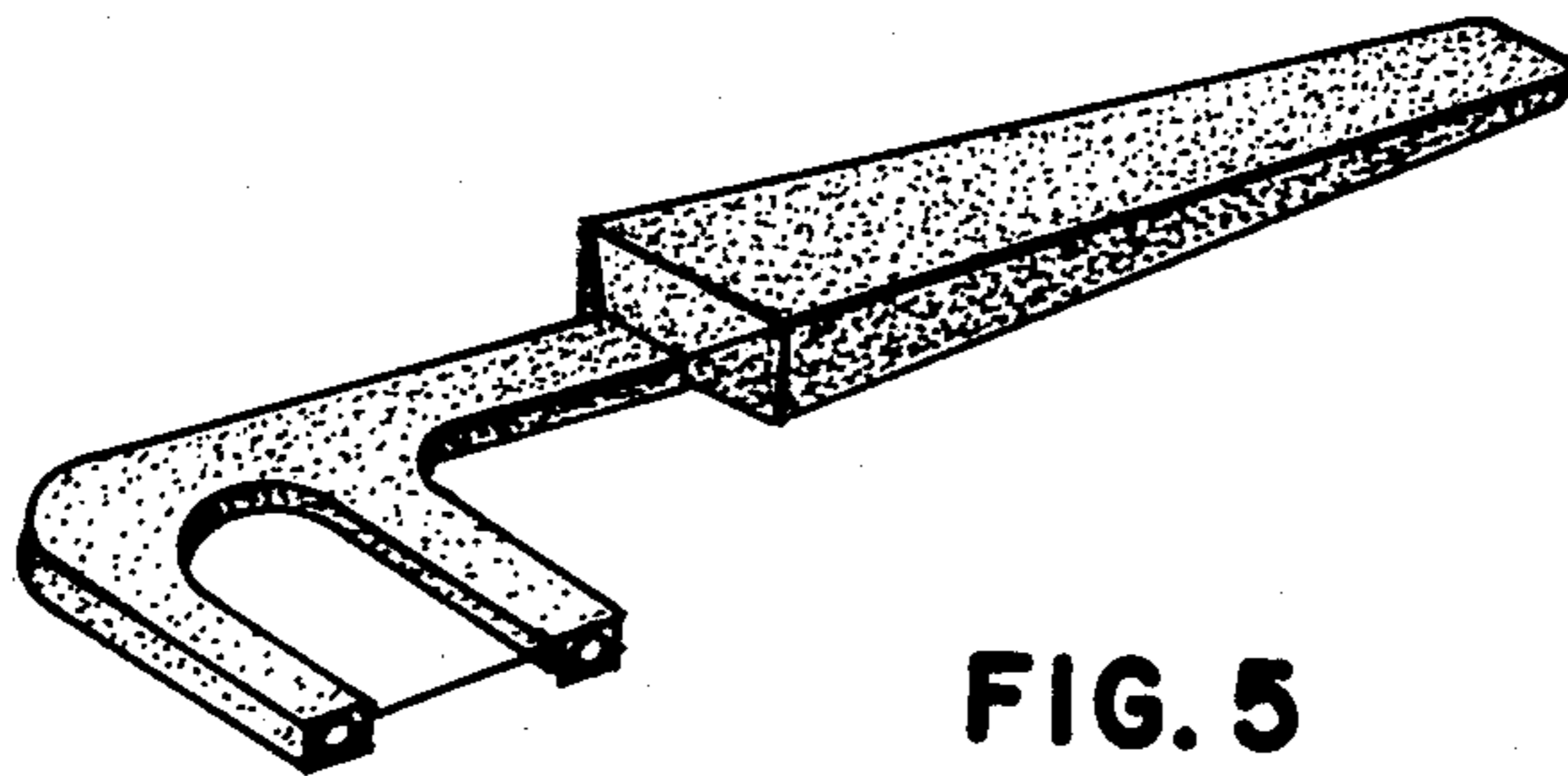
**FIG. 2**



**FIG. 3**



**FIG. 4**



**FIG. 5**