

[54] INSULATING COVER FOR A BUILDING VENT OPENING

[76] Inventor: Bennie Lee Mulligan, 4211 Oak Forest Drive, Charlotte, N.C. 28215

[\*\*] Term: 14 Years

[21] Appl. No.: 616,423

[22] Filed: Sept. 24, 1975

[51] Int. Cl. .... D23-04

[52] U.S. Cl. .... D23/163

[58] Field of Search ..... D23/163, 151; 52/94, 52/303; 98/17; D25/48, 47; 220/326, 9 F; 229/43

[56] References Cited

U.S. PATENT DOCUMENTS

2,100,126	11/1937	Bonsall	98/7 X
2,277,791	3/1942	Small	52/303 X

3,687,800	8/1972	Scheppers	52/315
3,966,084	6/1976	Box	220/326
D. 216,696	3/1970	Blee	D23/151

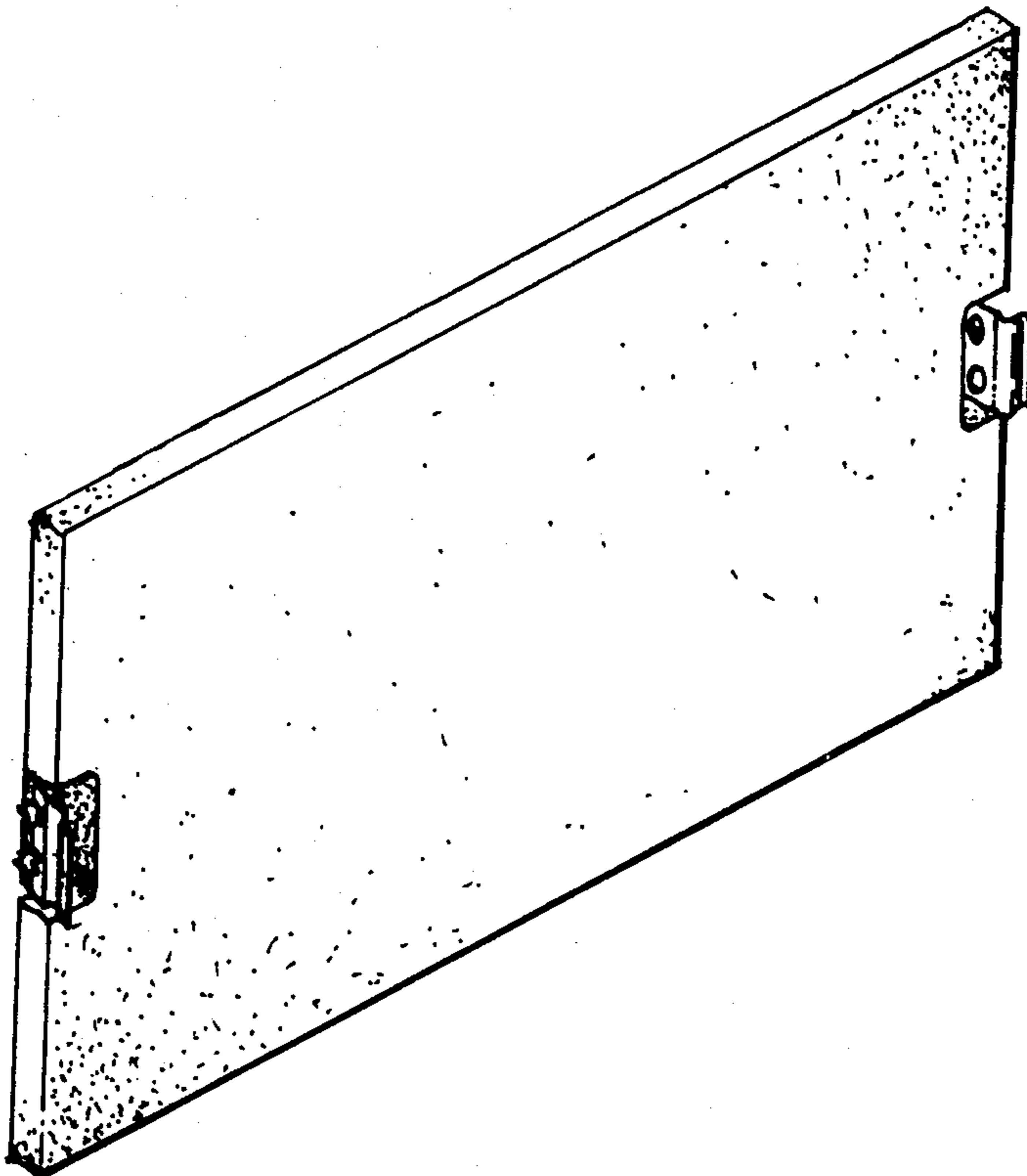
Primary Examiner—Wallace R. Burke  
Assistant Examiner—James M. Gandy  
Attorney, Agent, or Firm—Channing L. Richards

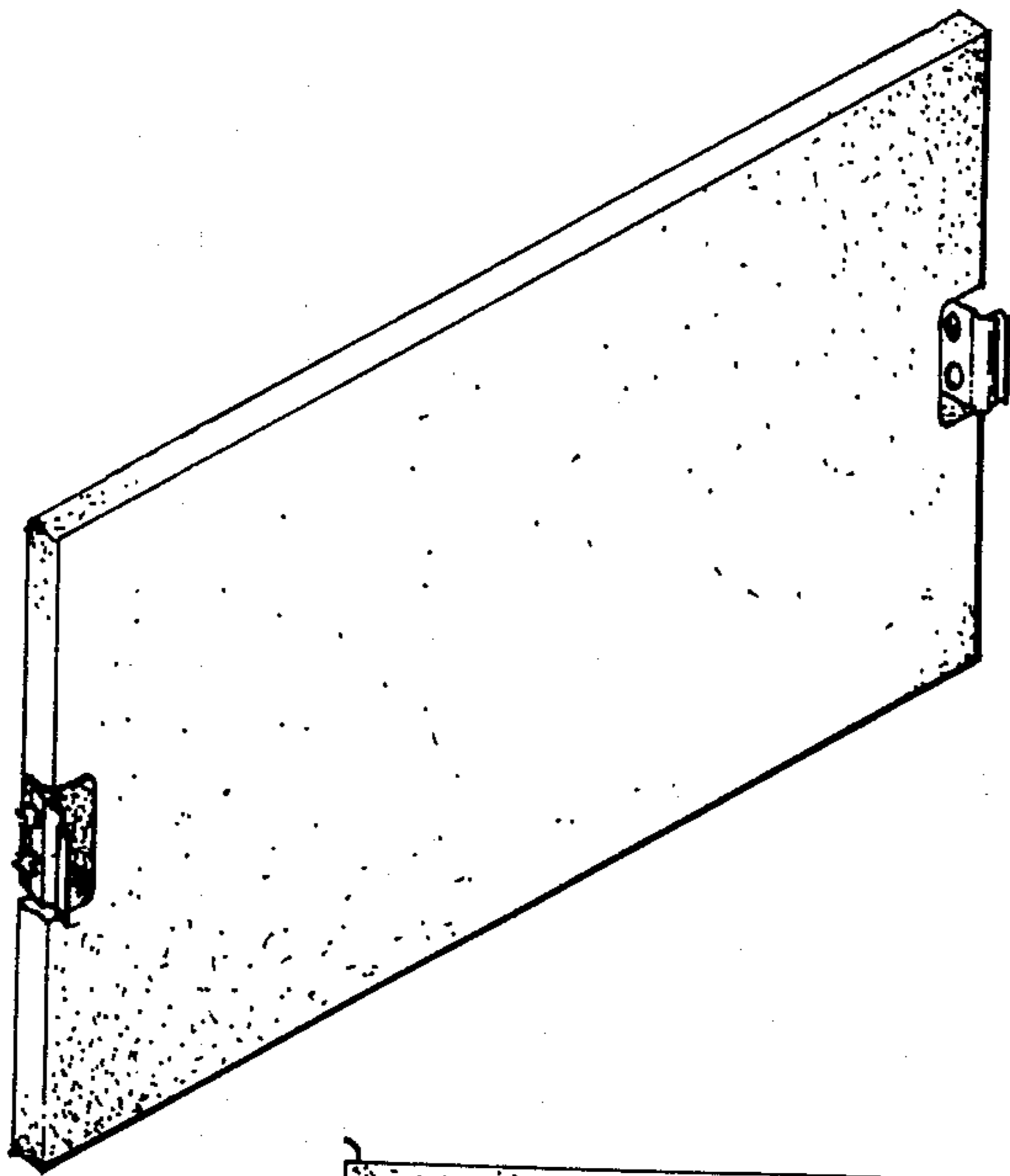
[57] CLAIM

The ornamental design for an insulating cover for a building vent opening, as shown.

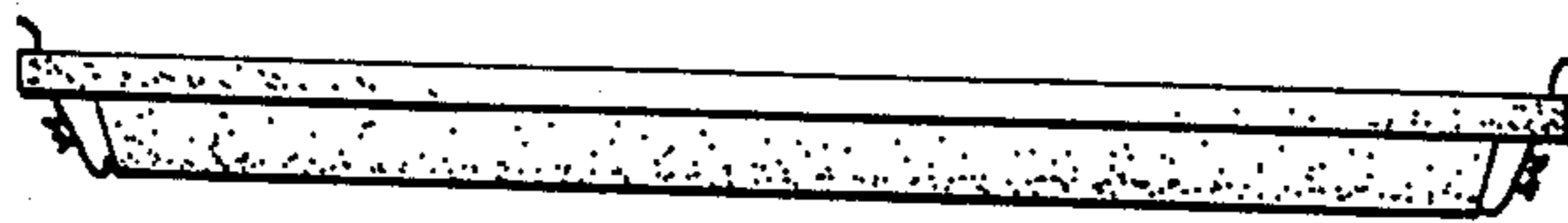
DESCRIPTION

FIG. 1 is a perspective view of an insulating cover for a building vent opening embodying my new design; FIG. 2 is a top plan view thereof; FIG. 3 is a bottom plan view thereof; FIG. 4 is a front end elevational view thereof; FIG. 5 is a rear end elevational view thereof; FIG. 6 is a right side elevational view thereof; and FIG. 7 is a left side elevational view thereof.





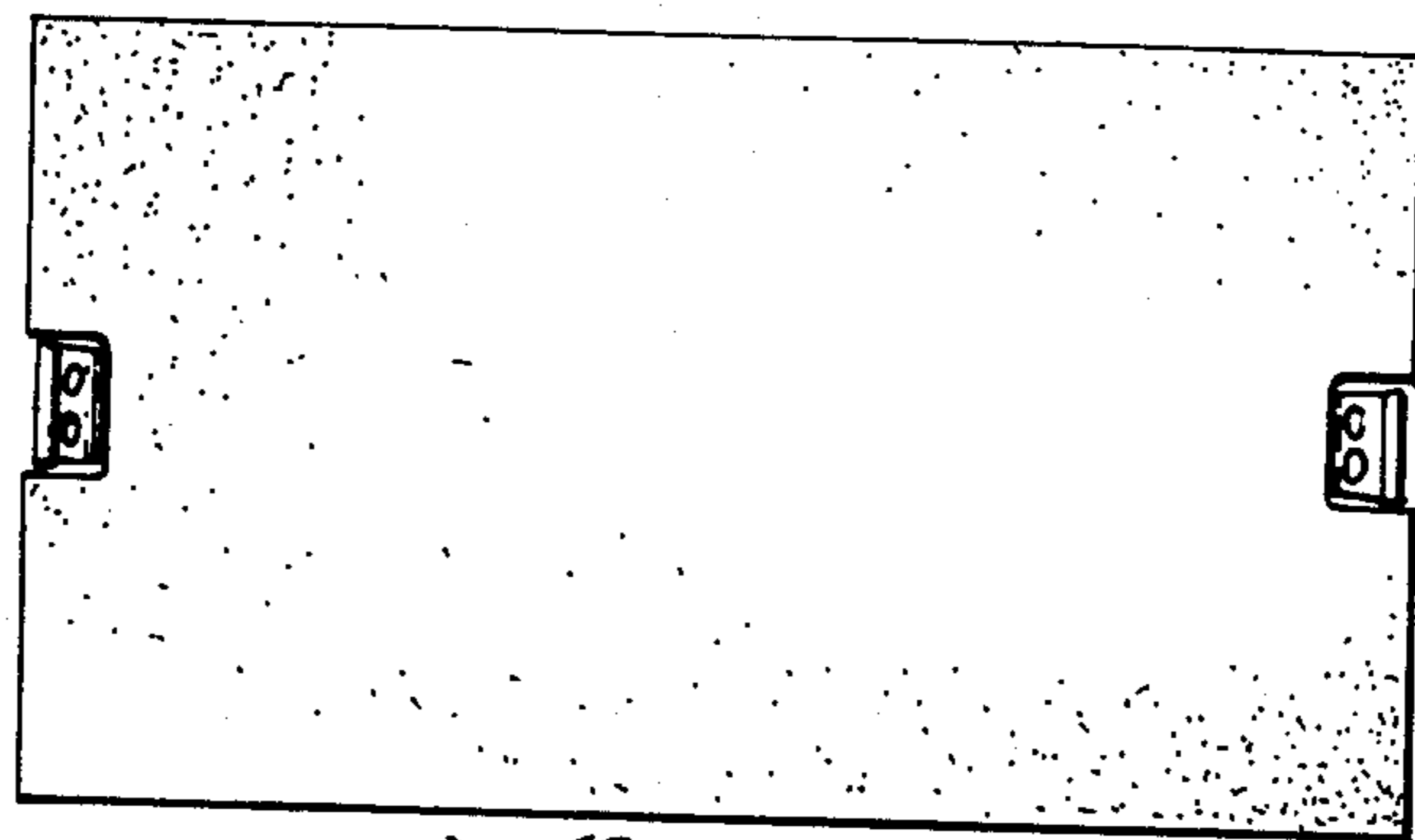
*Fig. 1*



*Fig. 4*



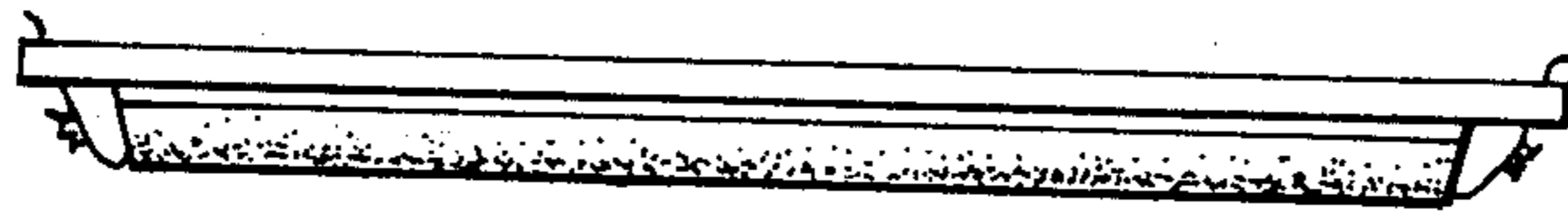
*Fig. 7*



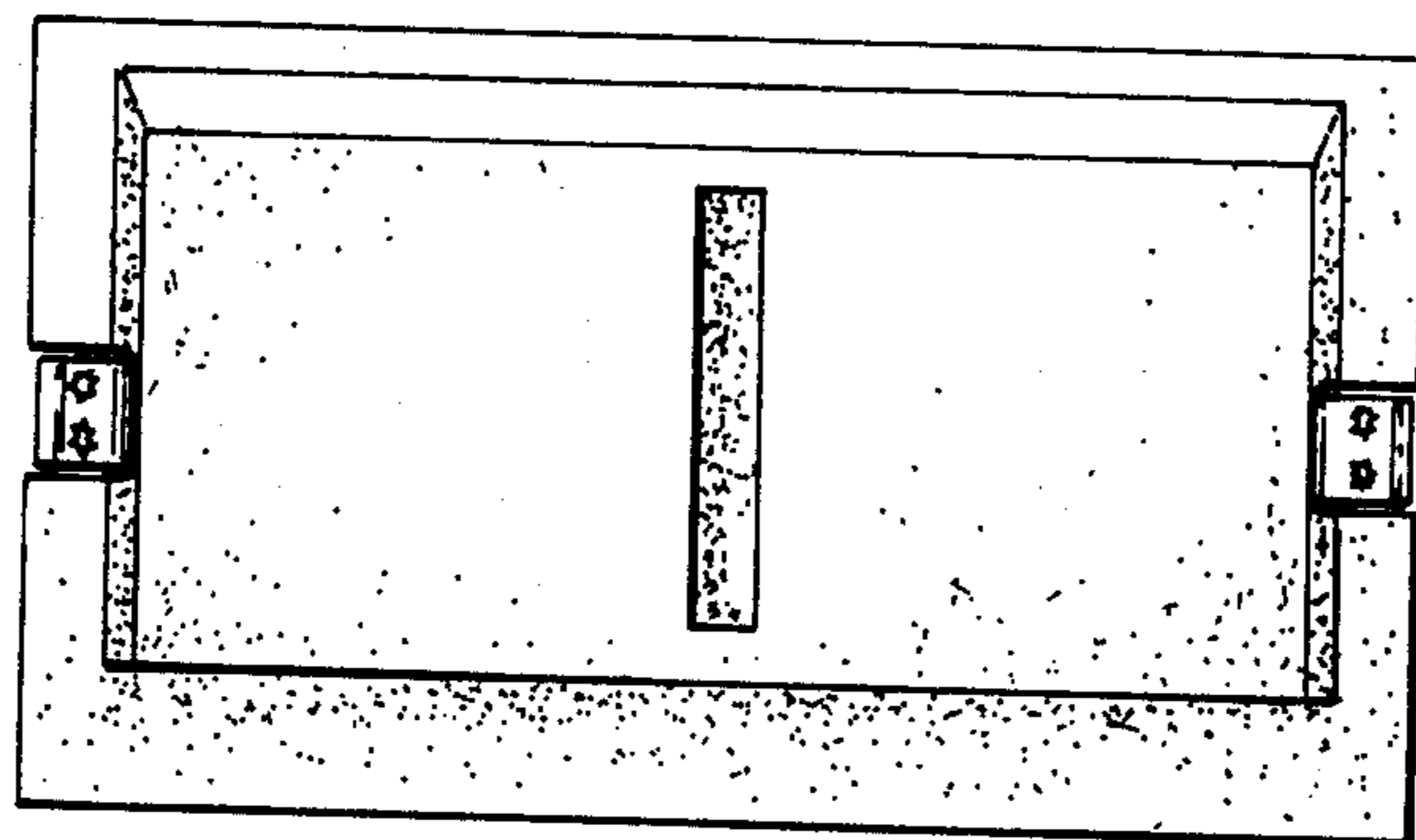
*Fig. 2*



*Fig. 6*



*Fig. 5*



*Fig. 3*