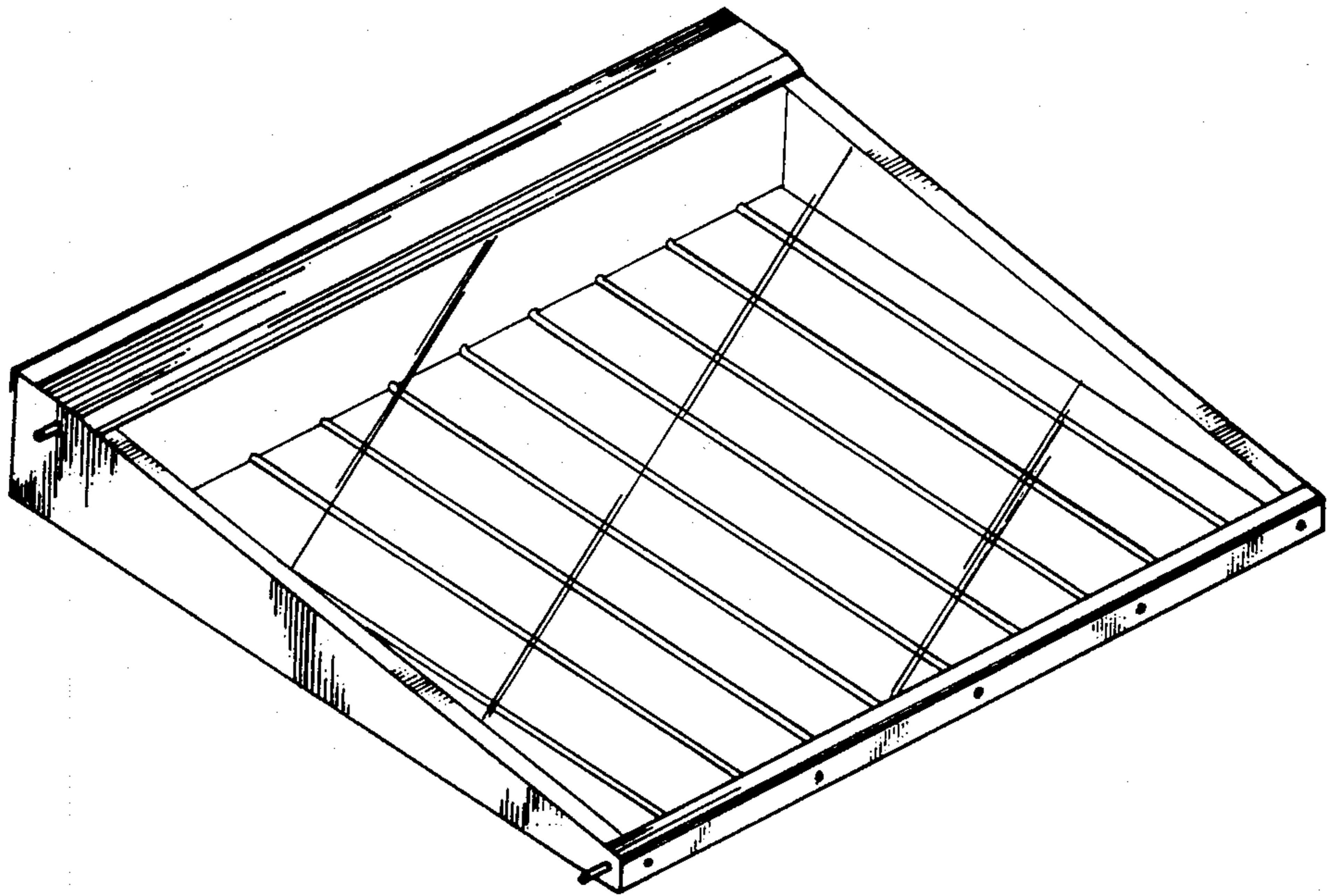


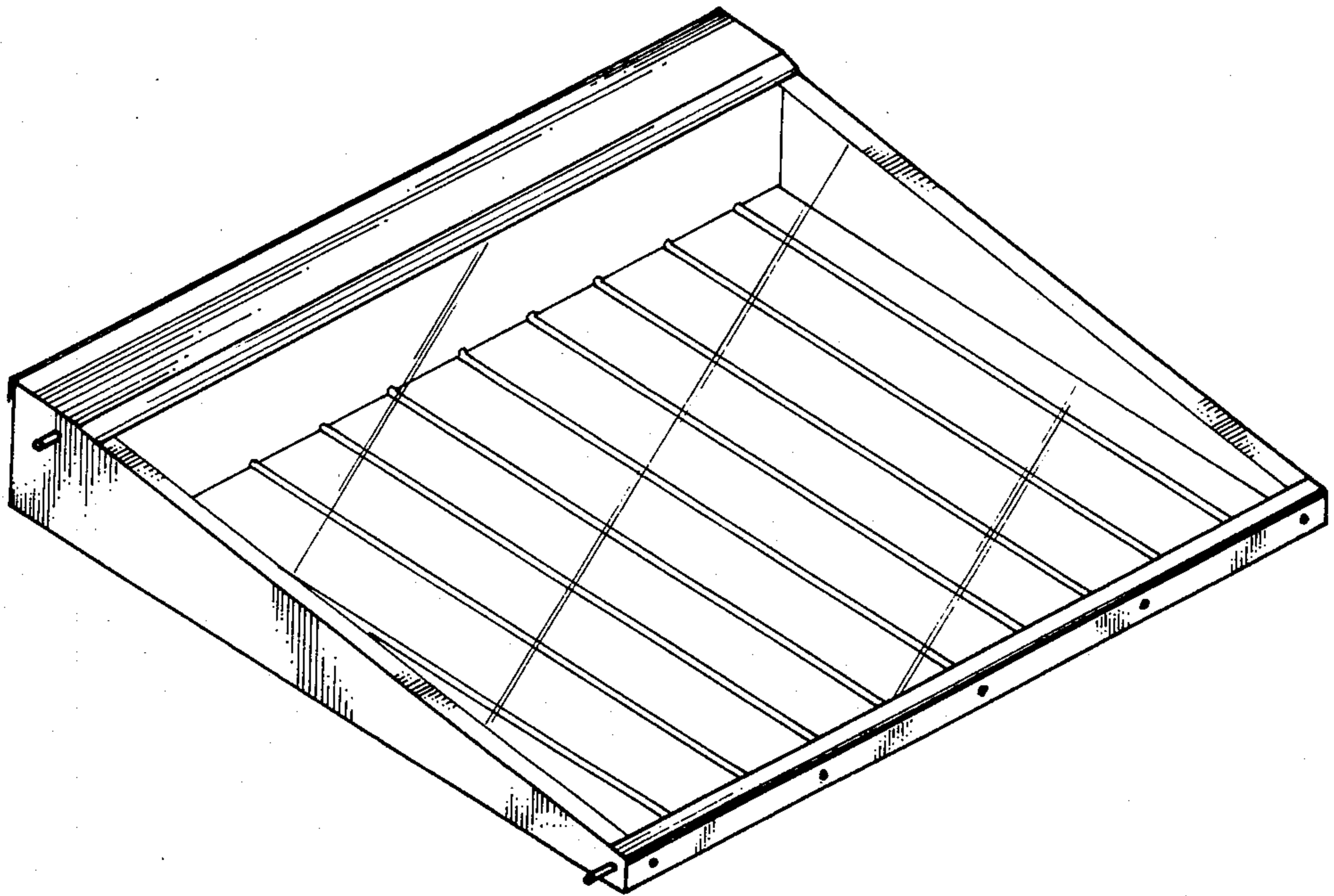
[54] **SOLAR BOOSTER WATER HEATER**  
[75] **Inventor:** Harry John Riley, Perth, Australia  
[73] **Assignee:** S. W. Hart & Co. Pty. Ltd., Australia  
[\*\*] **Term:** 14 Years  
[21] **Appl. No.:** 614,091  
[22] **Filed:** Sept. 17, 1975  
[51] **Int. Cl.** ..... D23-03  
[52] **U.S. Cl.** ..... D23/127  
[58] **Field of Search** ..... D23/127, 72; 126/271

[56] **References Cited**  
**U.S. PATENT DOCUMENTS**  
3,514,942 6/1970 Kyryluk ..... 126/271 X  
*Primary Examiner*—Alan P. Douglas  
*Attorney, Agent, or Firm*—William Anthony Drucker

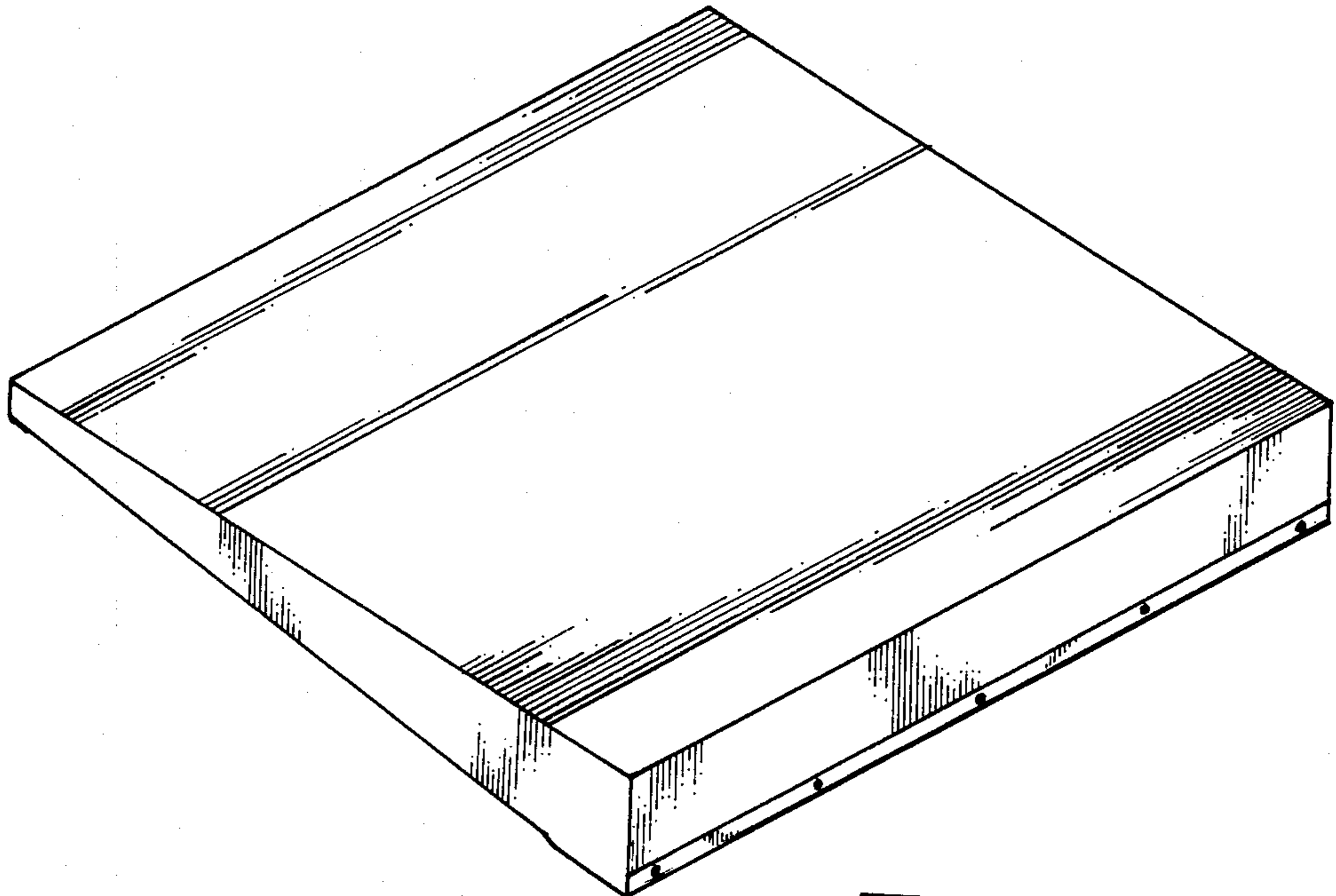
[57] **CLAIM**  
The ornamental design for a solar booster water heater, as shown.

**DESCRIPTION**  
FIG. 1 is a perspective view of the solar booster water heater in accordance with the present invention; and FIG. 2 is a perspective view of the underside of the invention.





**Fig. 1,**



**Fig. 2,**