

[54] WASH BASIN

[75] Inventor: George S. Gruber, Hidden Hills, Calif.

[73] Assignee: Dimensionetix, Inc., N. Hollywood, Calif.

[**] Term: 14 Years

[21] Appl. No.: 691,034

[22] Filed: May 28, 1976

[51] Int. Cl. D23-02

[52] U.S. Cl. D23/58

[58] Field of Search D23/58-64; 4/166, 187 R

[56] References Cited

U.S. PATENT DOCUMENTS

D. 36,994 6/1904 Torrance et al. D23/58

D. 84,498	6/1931	Steele	D23/58
D. 202,411	9/1965	Niemann	D23/58
D. 222,541	11/1971	Ruggles et al.	D23/58
D. 222,586	11/1971	Hives	D23/58

Primary Examiner—James R. Largen
Attorney, Agent, or Firm—Robert E. Geauque

[57] CLAIM

The ornamental design for a wash basin, substantially as shown and described.

DESCRIPTION

FIG. 1 is a top plan view of a wash basin showing my new design;
FIG. 2 is a front elevational view thereof;
FIG. 3 is a left side elevational view thereof, the right side being a mirror image of the side shown;
FIG. 4 is a cross sectional view taken on line 4—4 of FIG. 1; and
FIG. 5 is a cross sectional view taken on line 5—5 of FIG. 1.

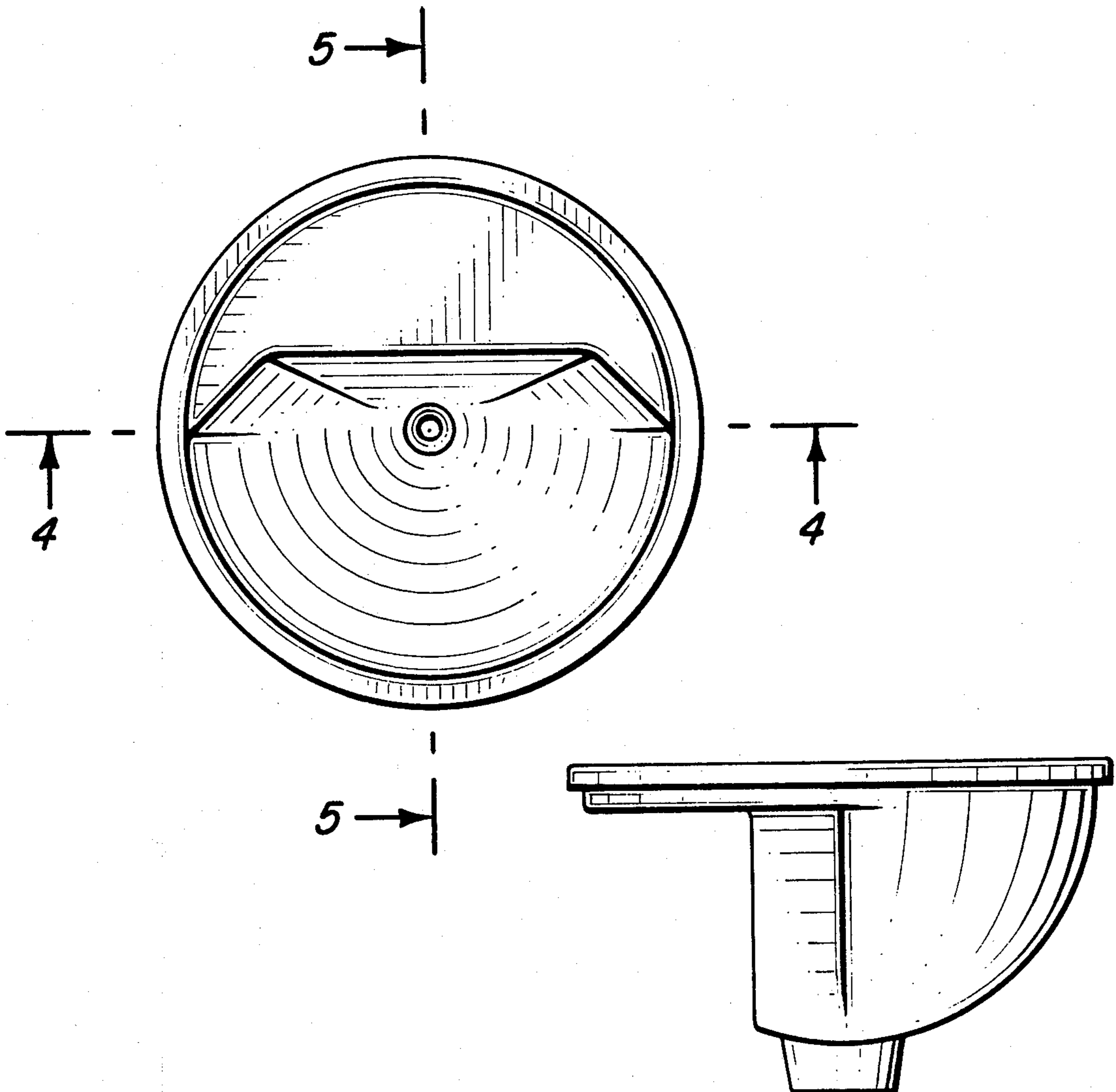


Fig. 1.

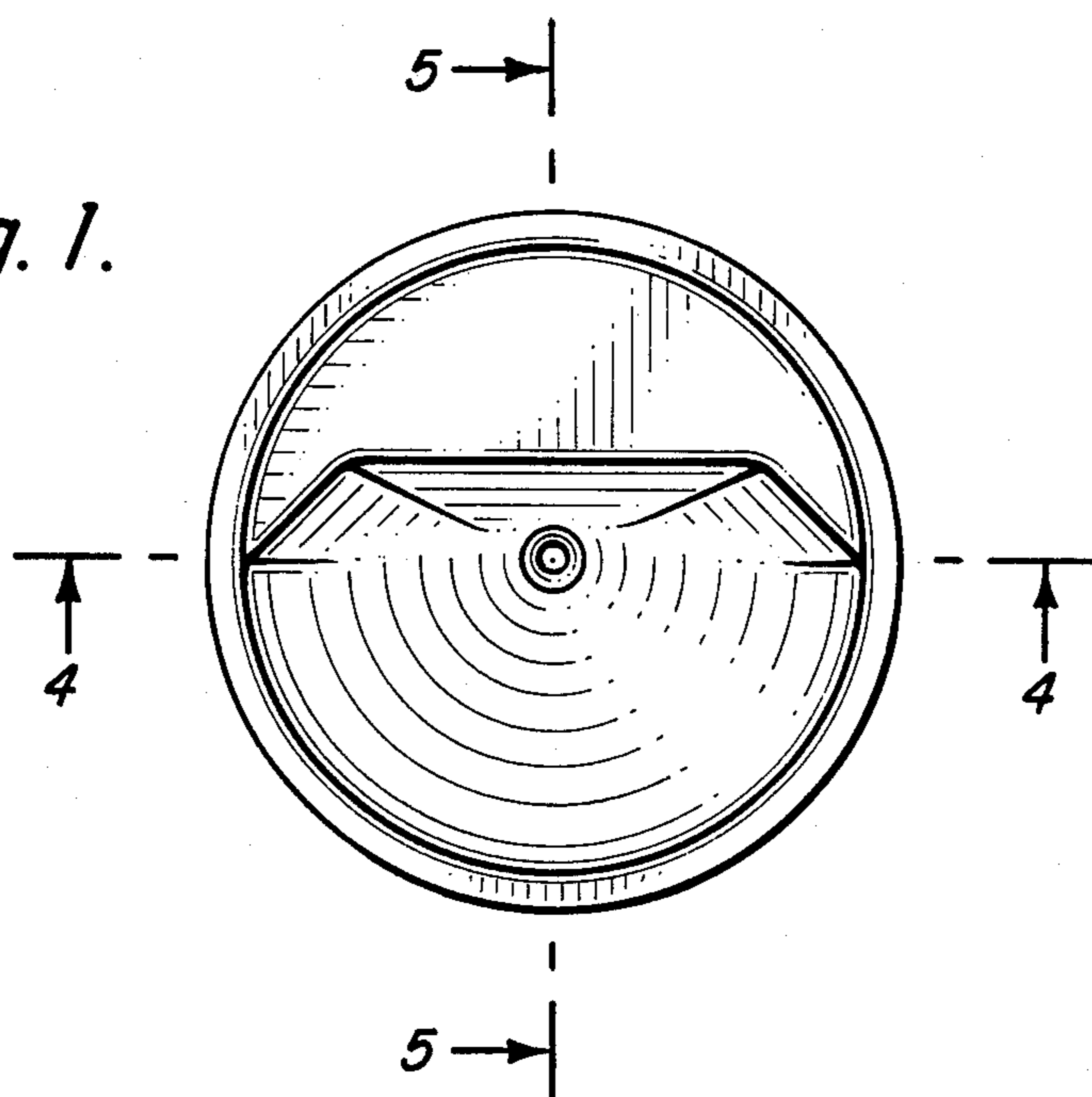


Fig. 2.

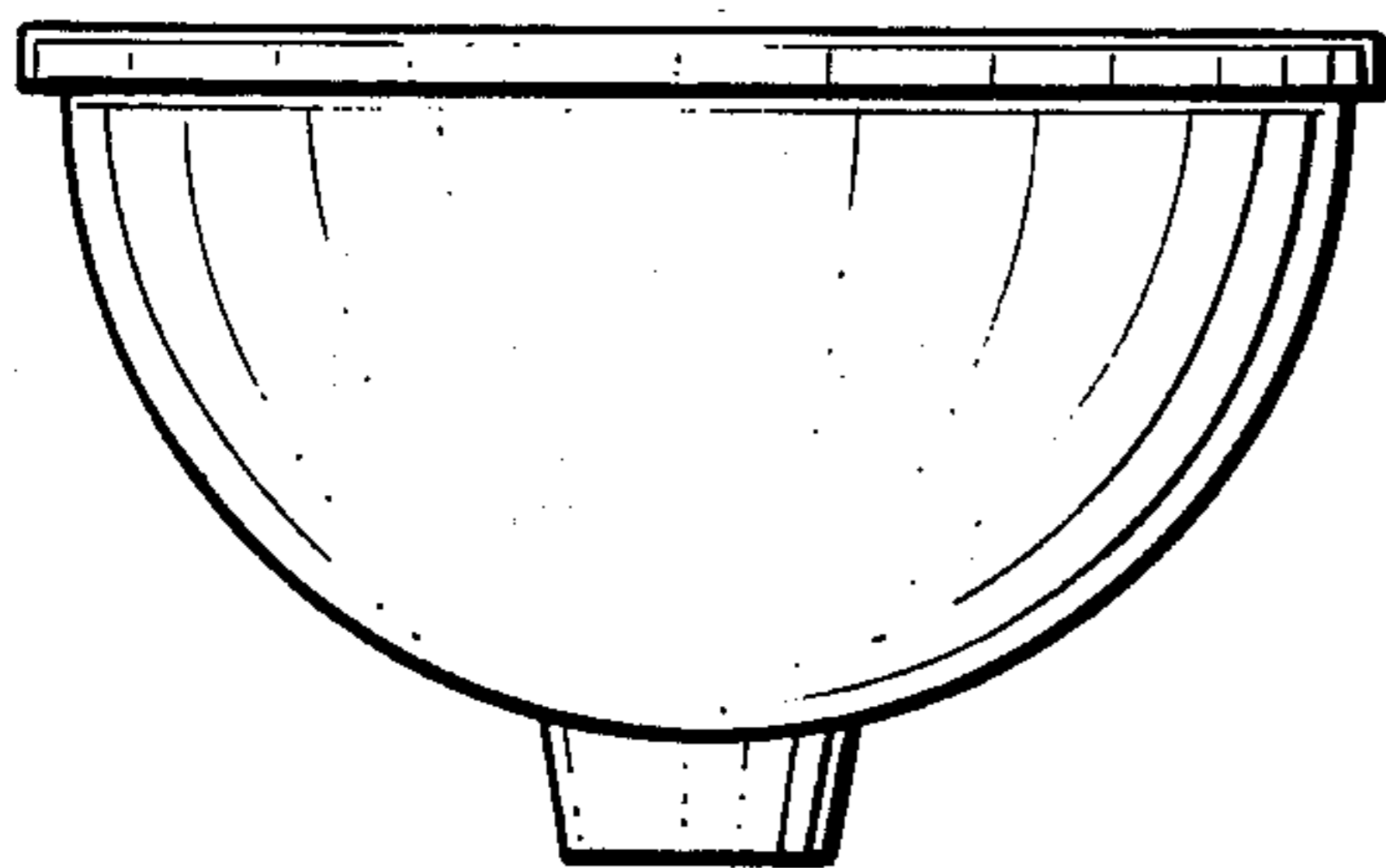


Fig. 3.

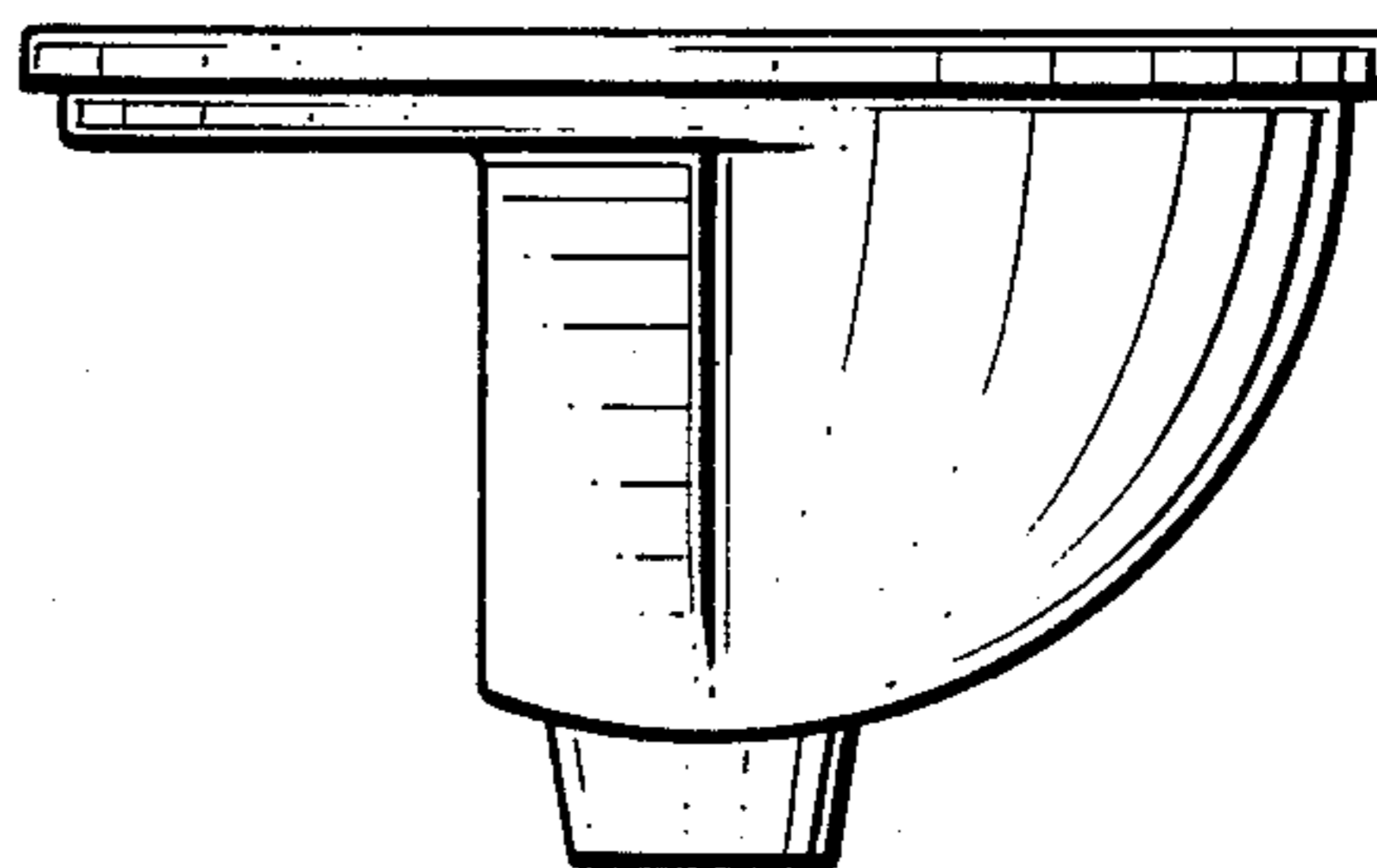


Fig. 4.

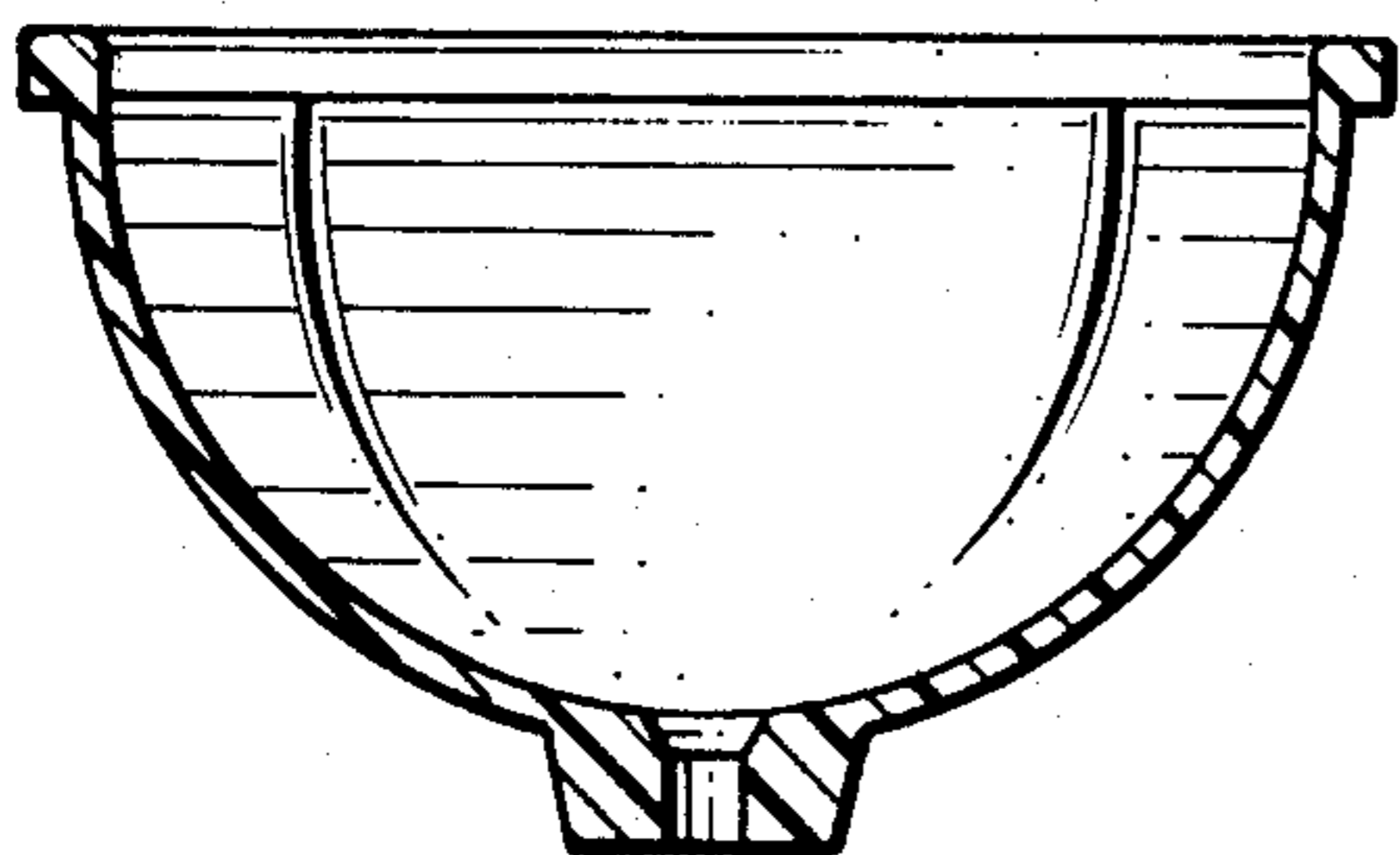


Fig. 5.

