

[54] CAMERA

[75] Inventor: Masami Ishino, Kodaira, Japan

[73] Assignee: Sunpack Corporation, Tokyo, Japan

[**] Term: 14 Years

[21] Appl. No.: 676,625

[22] Filed: Apr. 13, 1976

[30] Foreign Application Priority Data

Dec. 5, 1975 Japan 50-47458

[51] Int. Cl. D16-01

[52] U.S. Cl. D16/09

[58] Field of Search D16/1-10;
354/288, 83-93, 187-194, 152-156

[56]

References Cited

U.S. PATENT DOCUMENTS

D. 228,808	10/1973	Swayze	D16/6
D. 234,542	3/1975	Quinn	D16/5
D. 236,546	8/1975	Shimano et al.	D16/9
D. 236,851	9/1975	Quinn	D16/5
D. 240,862	8/1976	Boehm et al.	D16/6

Primary Examiner—Wallace R. Burke
Assistant Examiner—Catherine Kemper
Attorney, Agent, or Firm—John Clarke Holman

[57]

CLAIM

The ornamental design for a camera, as shown.

DESCRIPTION

FIG. 1 is a front perspective view of a camera showing my new design; and
FIG. 2 is a rear perspective view thereof.

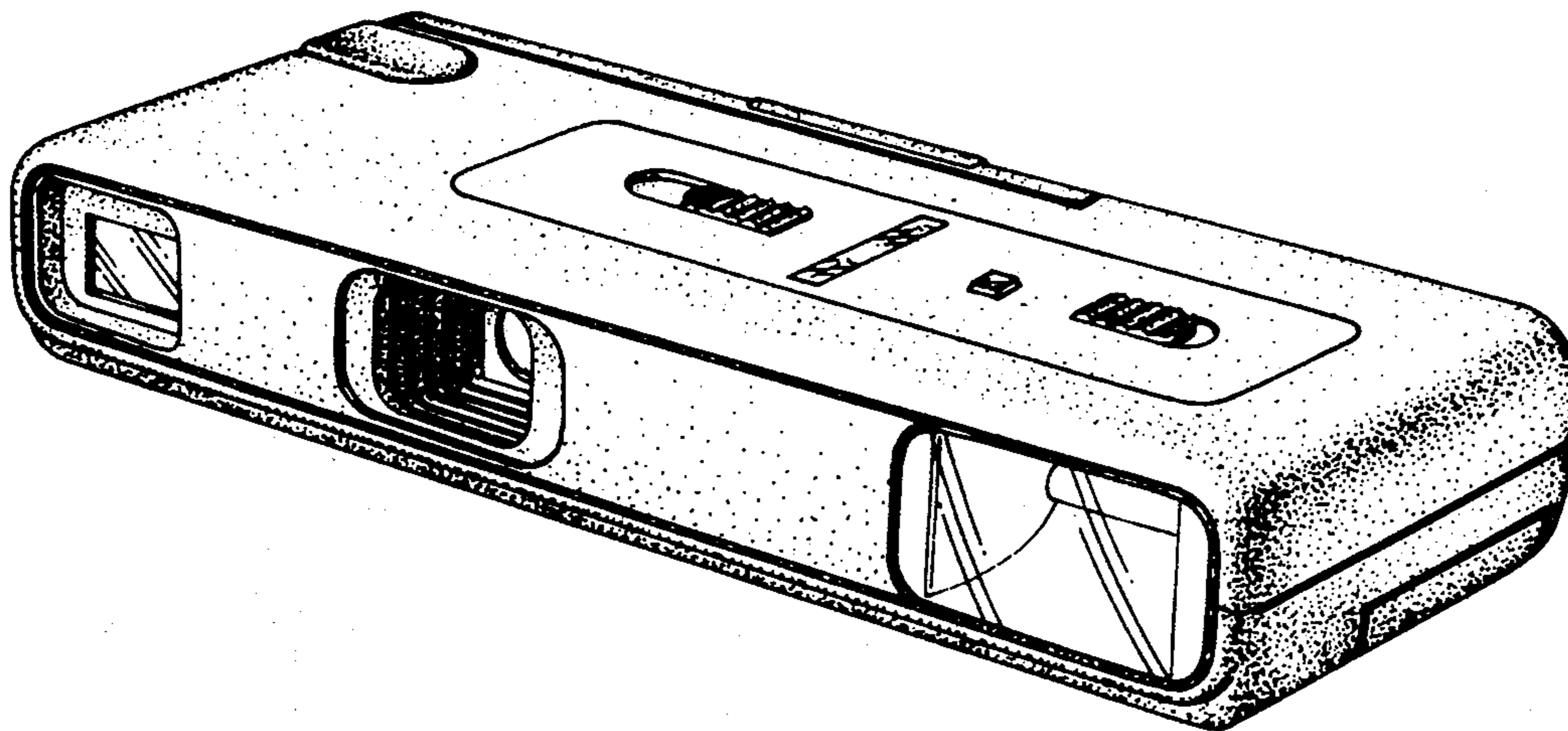


FIG. 1

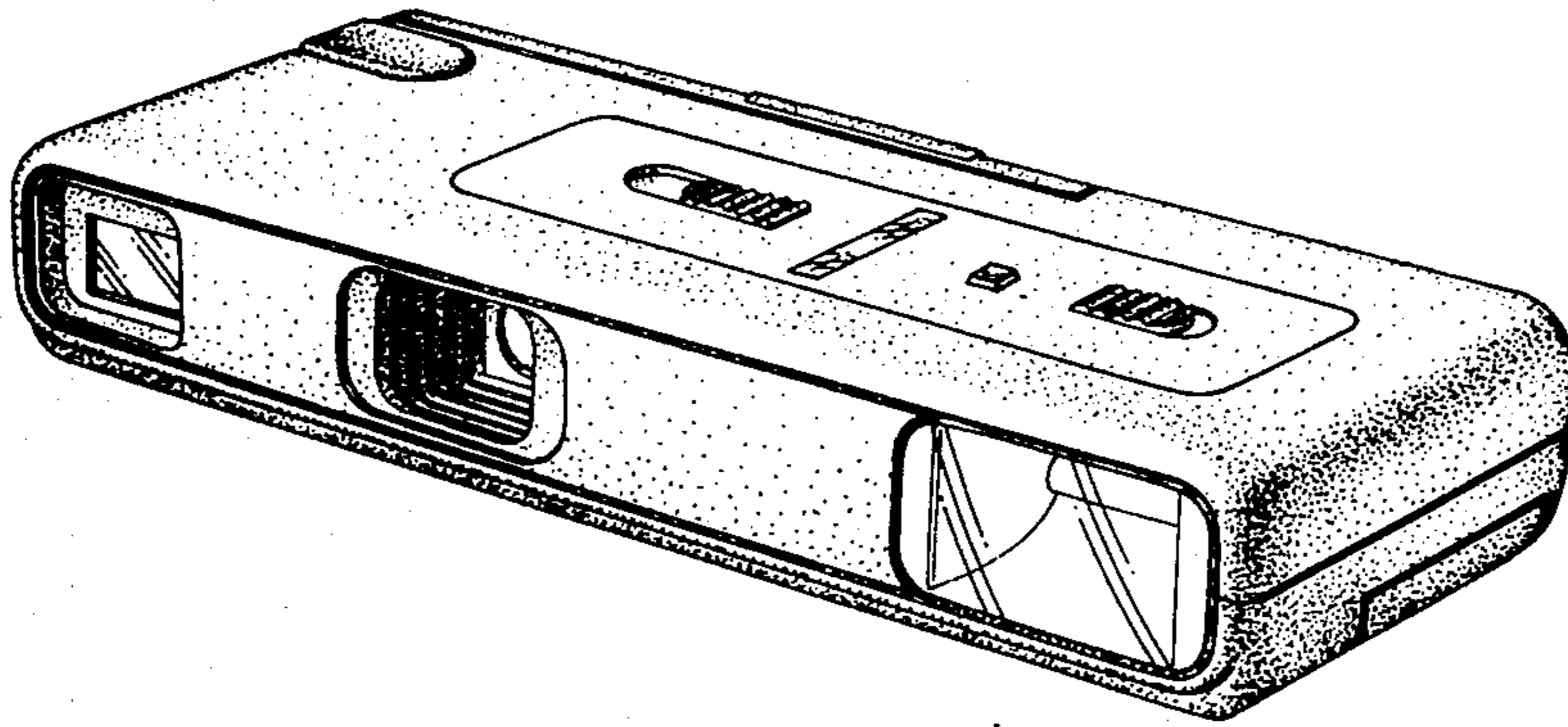


FIG. 2

