

[54] VACUUM CLEANER-BLOWER

[75] Inventors: John R. Howard, West Chicago;
Charles E. Nichols, Oak Park, both
of Ill.

[73] Assignee: Breuer Electric Mfg. Co., Chicago,
Ill.

[**] Term: 14 Years

[21] Appl. No.: 620,942

[22] Filed: Oct. 9, 1975

[51] Int. Cl. D15-05

[52] U.S. Cl. D15/62

[58] Field of Search D7/165-170;
D37/3; D49/11; 15/352, 353; 417/312, 368,
423 R, 423 A; 310/10, 40 R; D23/1, 17, 18,
34; D15/62

[56] References Cited

U.S. PATENT DOCUMENTS

3,365,122 1/1968 Hajec et al. 417/423 R

Primary Examiner—Wallace R. Burke
Assistant Examiner—Catherine Kemper
Attorney, Agent, or Firm—Thomas R. Juettner

[57] CLAIM

The ornamental design for a vacuum cleaner-blower,
substantially as shown and described.

DESCRIPTION

FIG. 1 is a perspective view of a vacuum cleaner-
blower showing our new design;
FIG. 2 is a side elevational view thereof shown on a
slightly enlarged scale;
FIG. 3 is a top plan view thereof; and
FIG. 4 is a bottom plan view thereof.

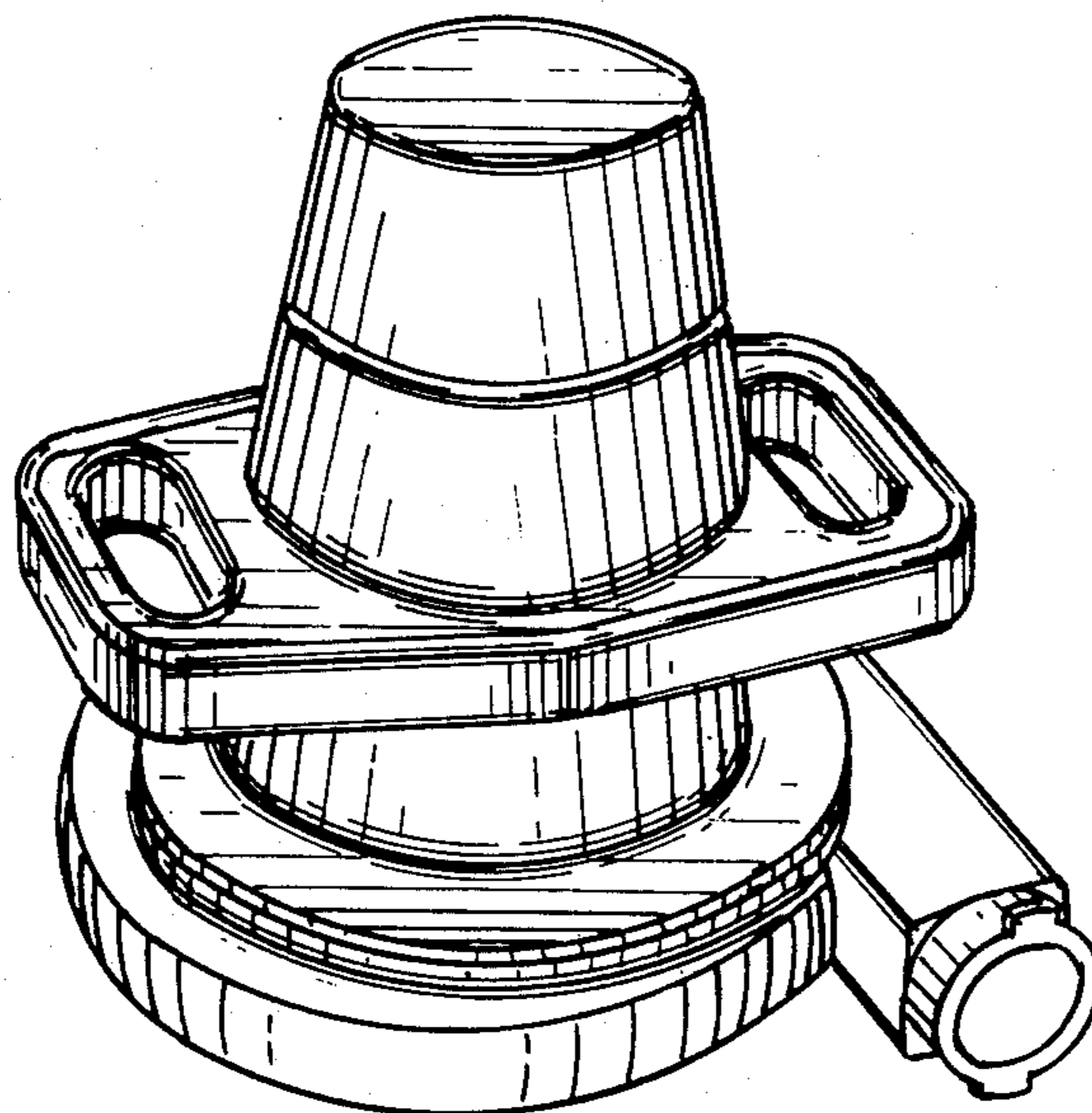


Fig. 1.

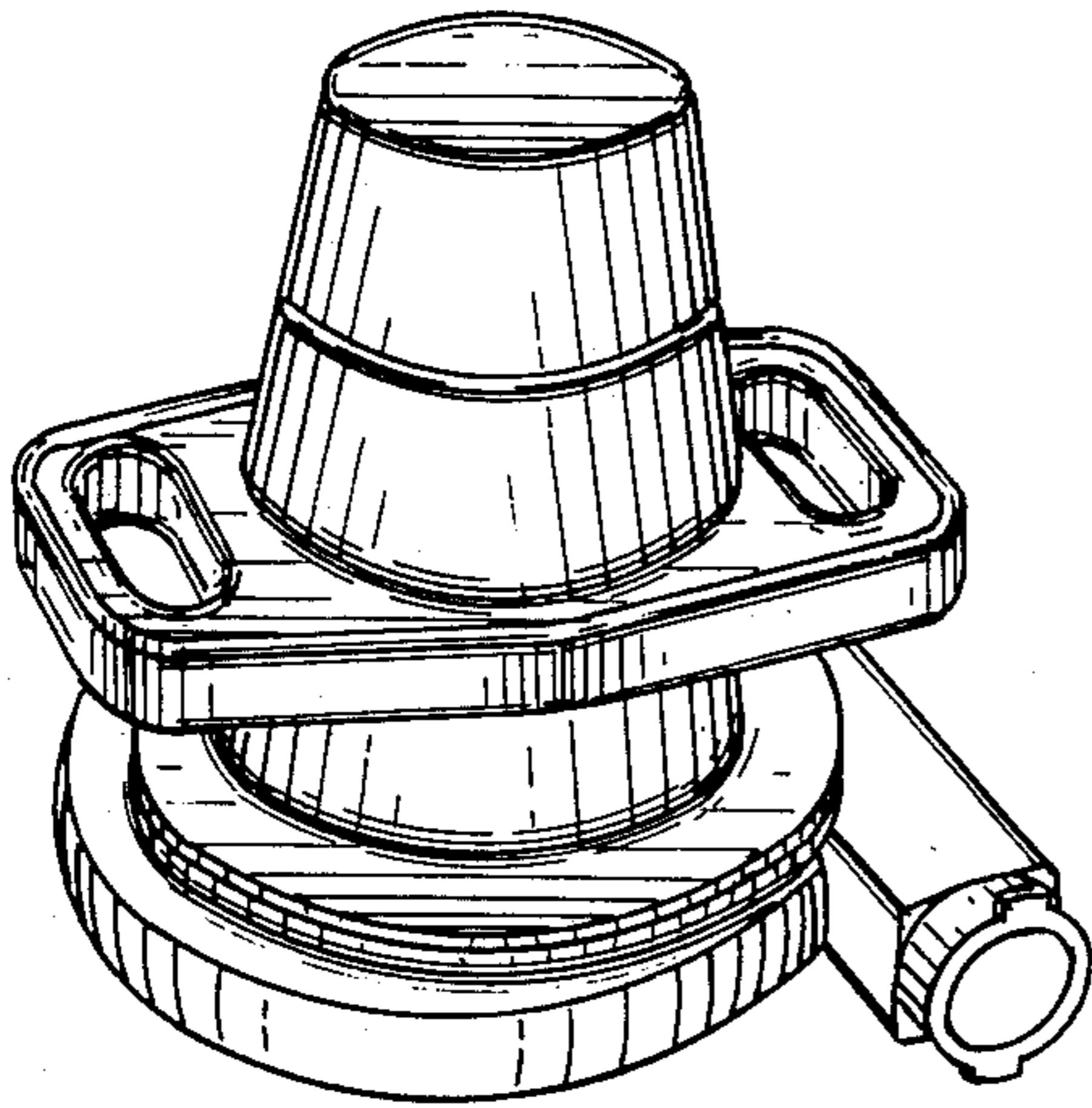


Fig. 2.

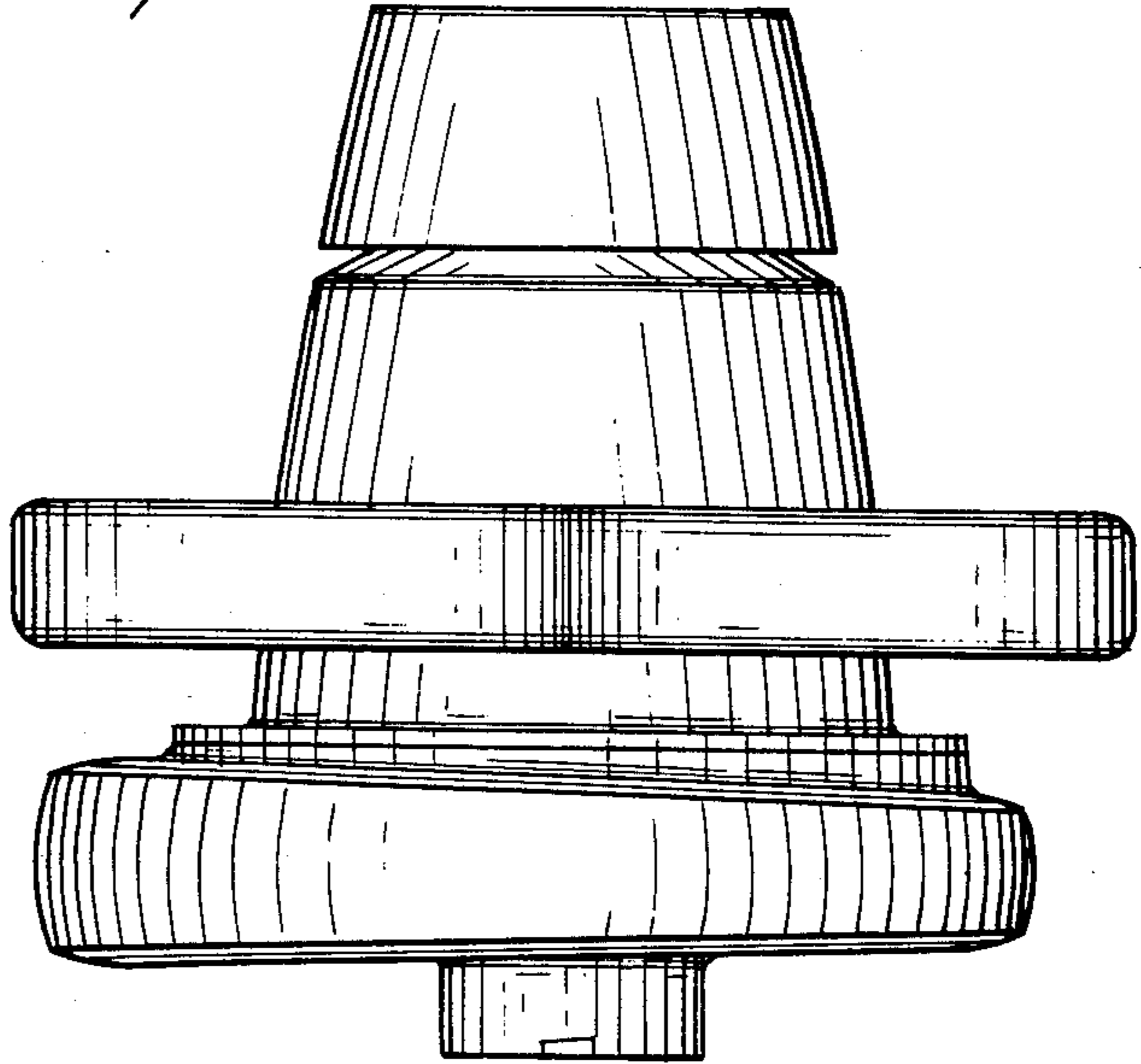


Fig. 3.

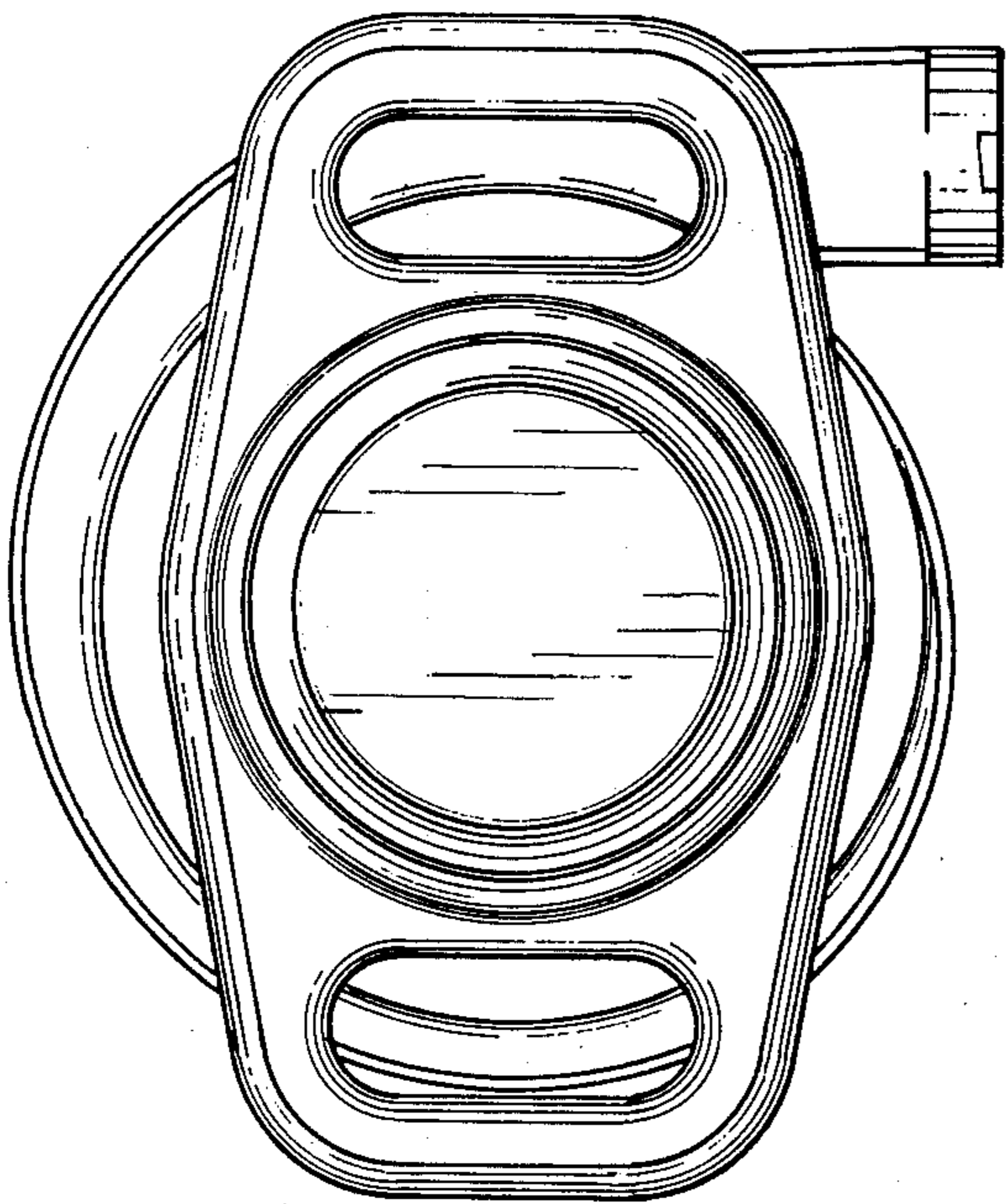


Fig. 4.

