

[54] MOTORCYCLE FAIRING

[75] Inventor: Craig W. Vetter, Rantoul, Ill.

[73] Assignee: Vetter Design Works, Inc., Rantoul, Ill.

[**] Term: 14 Years

[21] Appl. No.: 516,628

[22] Filed: Oct. 21, 1974

[51] Int. Cl. D12-11

[52] U.S. Cl. D12/182

[58] Field of Search D12/182; 296/78.1; 180/33 R, 32

[56] References Cited

U.S. PATENT DOCUMENTS

3,787,088 1/1974 Dreyer, Sr. 296/78.1

OTHER PUBLICATIONS

Cycle World, 5/73, p. 38, Windjammer Fairing, left side of page.

Cycle World, 9/73, p. 107, Windjammer II Fairing, top right side of page.

Primary Examiner—Wallace R. Burke

Assistant Examiner—James M. Gandy

Attorney, Agent, or Firm—Ernest A. Wegner

[57] CLAIM

The ornamental design for a motorcycle fairing, as shown and described.

DESCRIPTION

FIG. 1 is a right side elevational view of a motorcycle showing my new design;

FIG. 2 is a left side elevational view thereof;

FIG. 3 is a front elevational view thereof;

FIG. 4 is a rear elevational view thereof; and

FIG. 5 is a top plan view thereof.

The fragmentary broken line representation of a portion of a motorcycle in FIGS. 1 and 2 is for illustrative purposes only and forms no part of the invention.

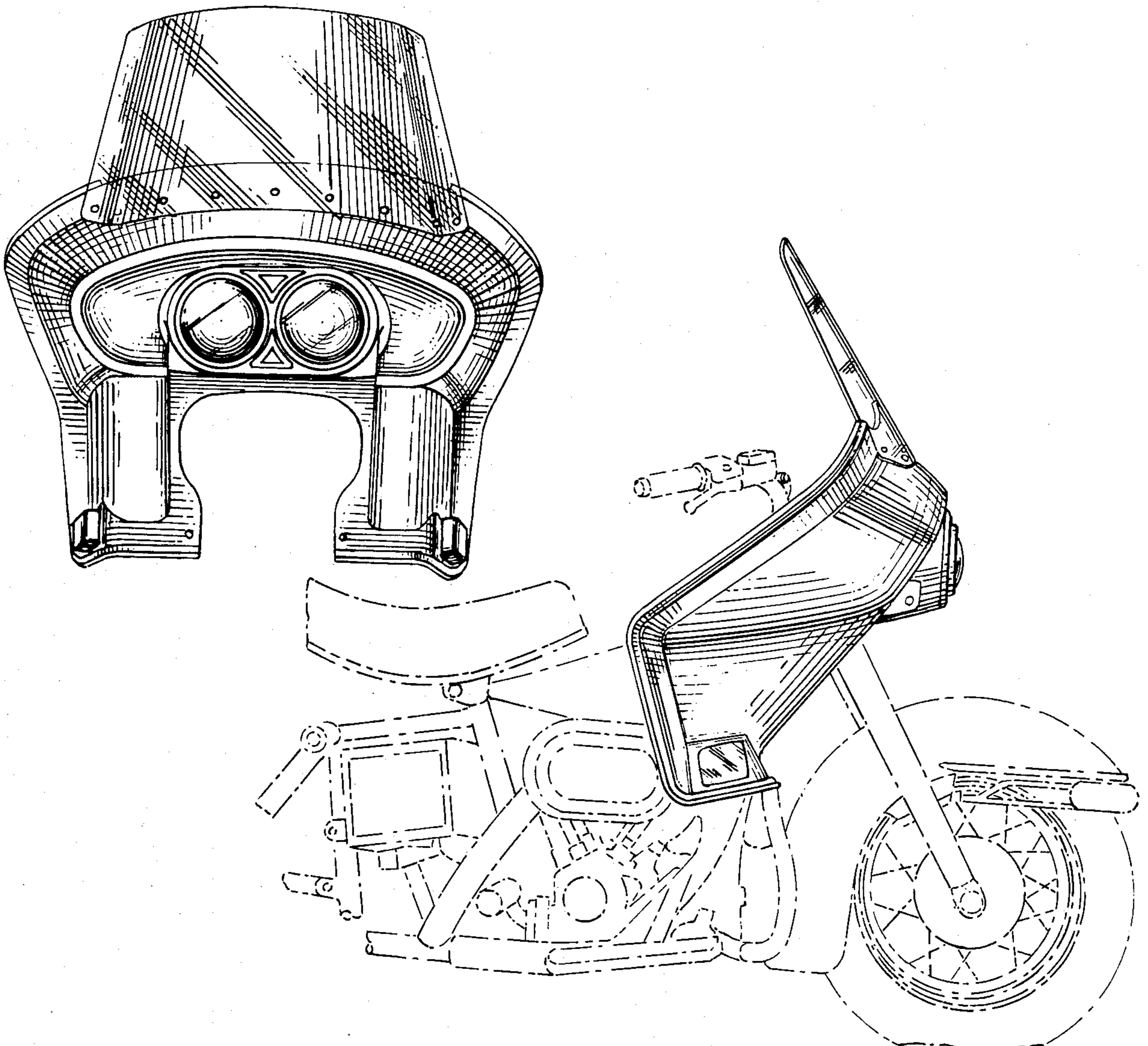


FIG. 1

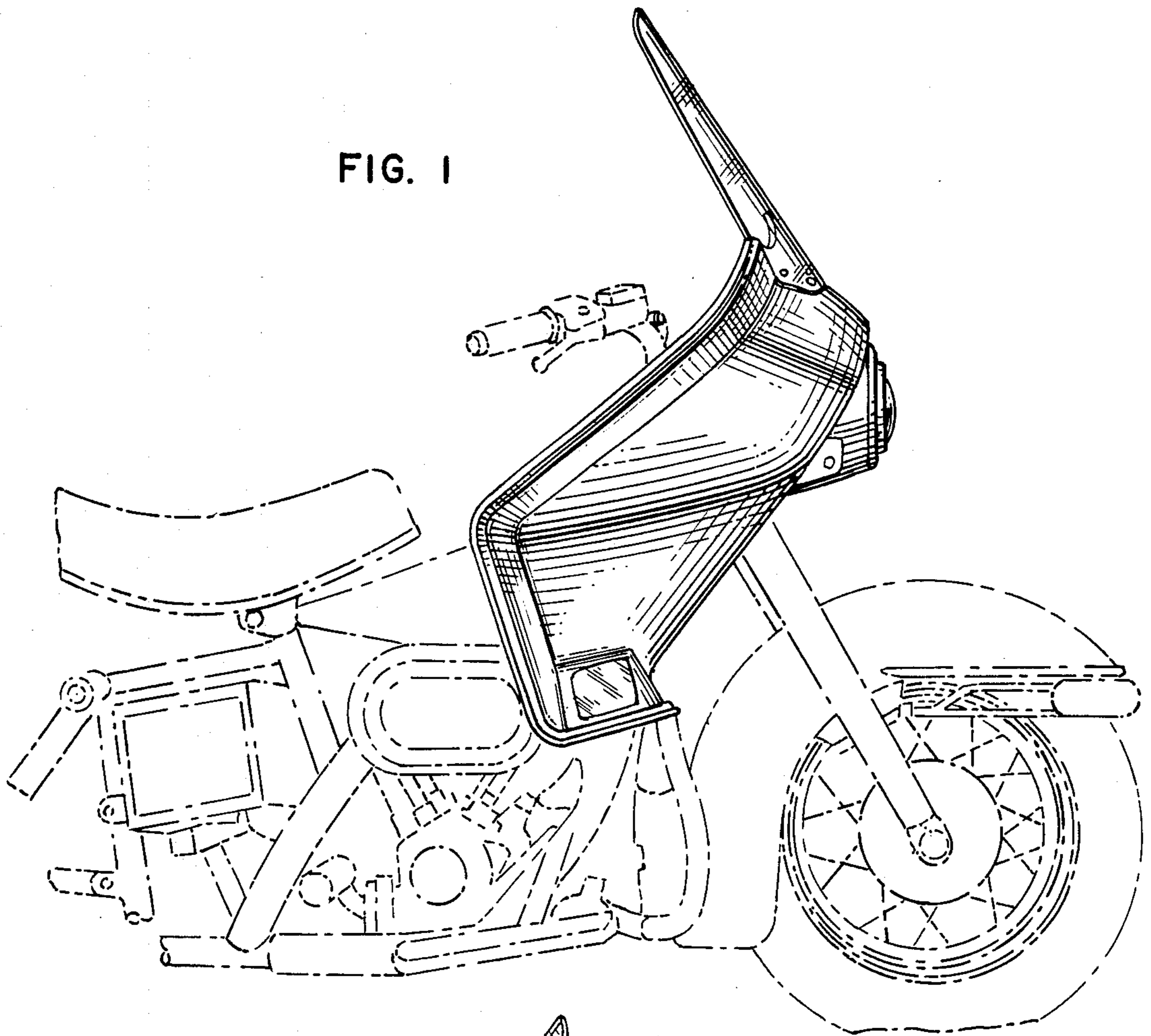


FIG. 2

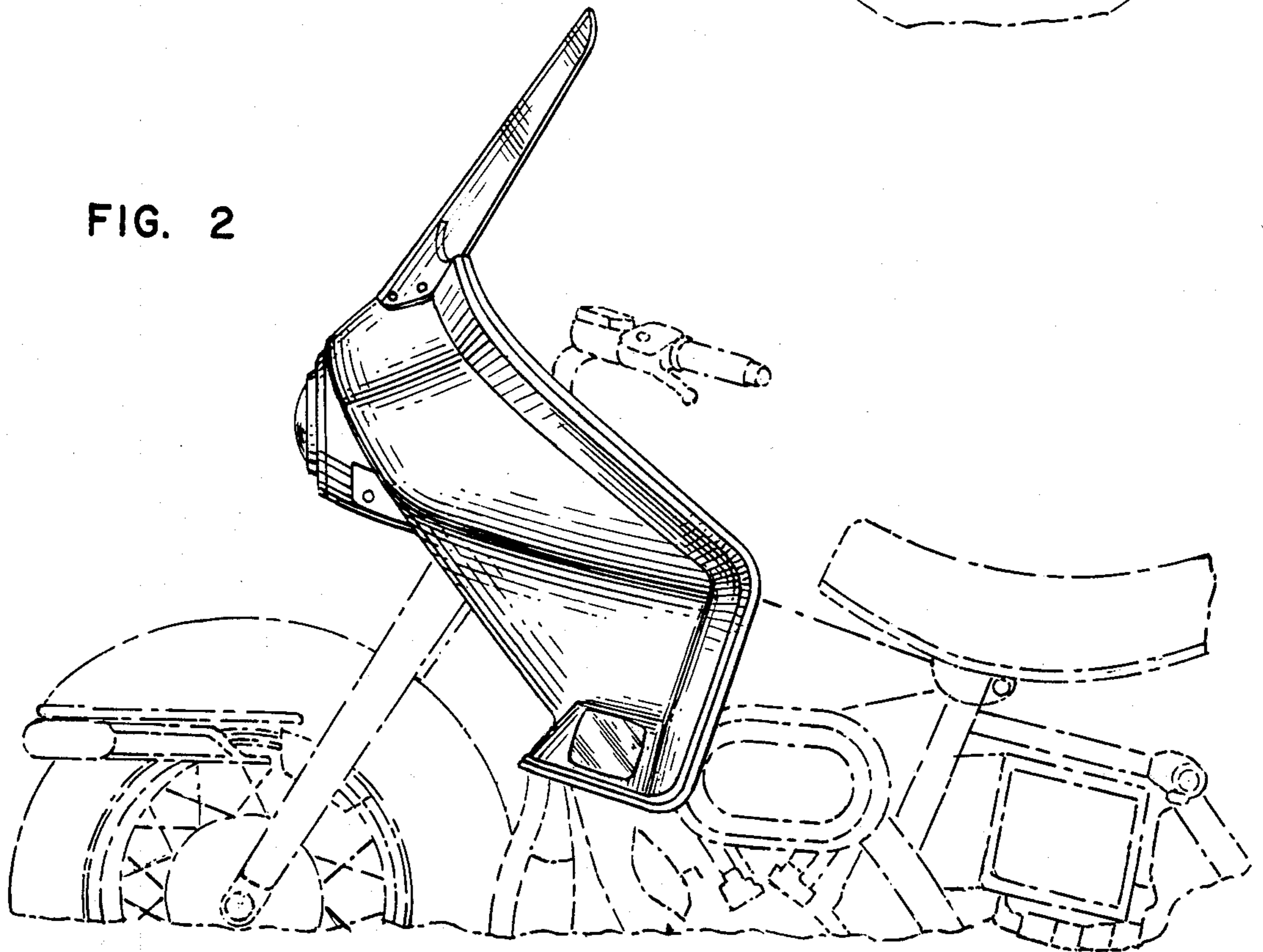


FIG. 3

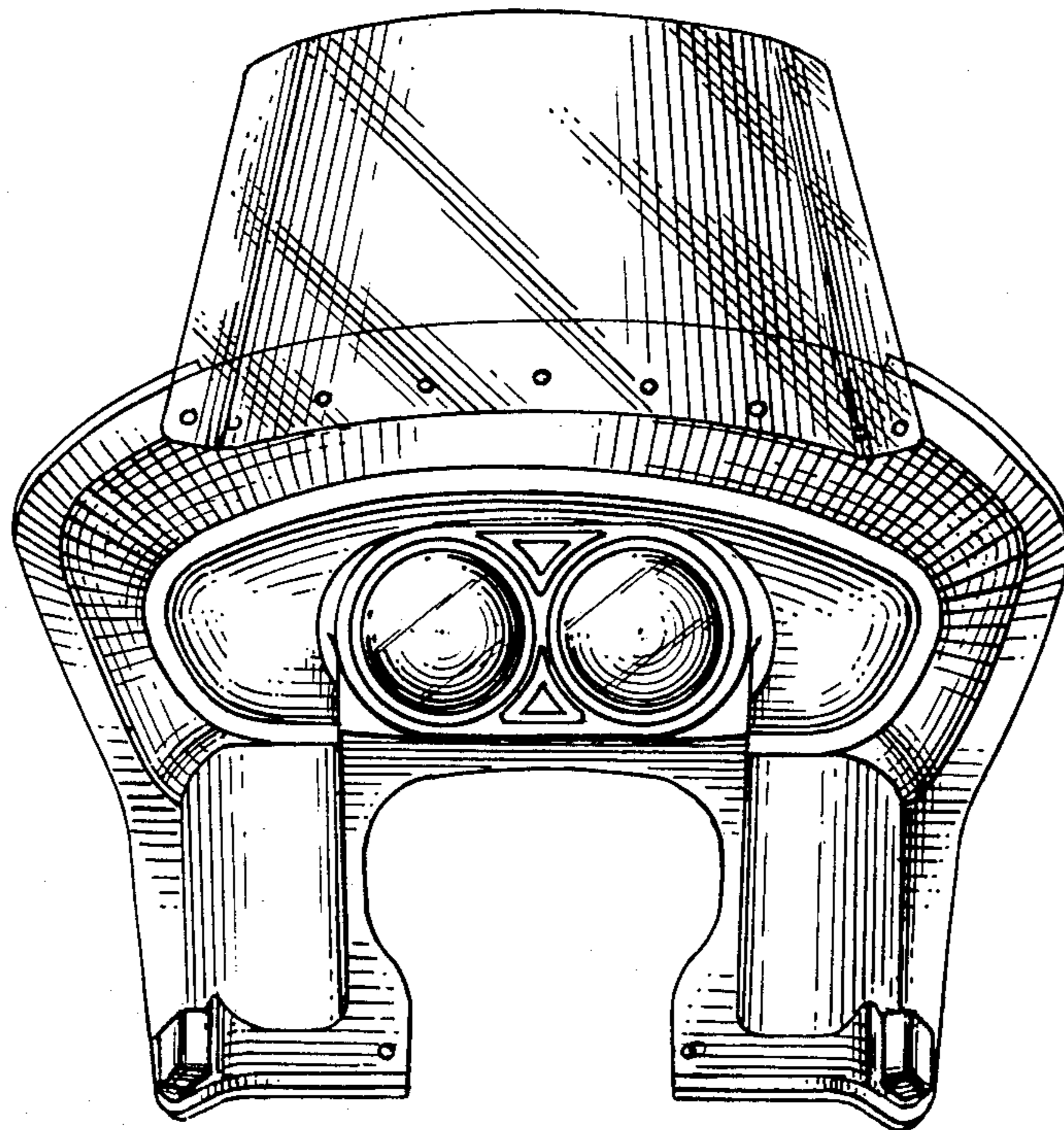


FIG. 4

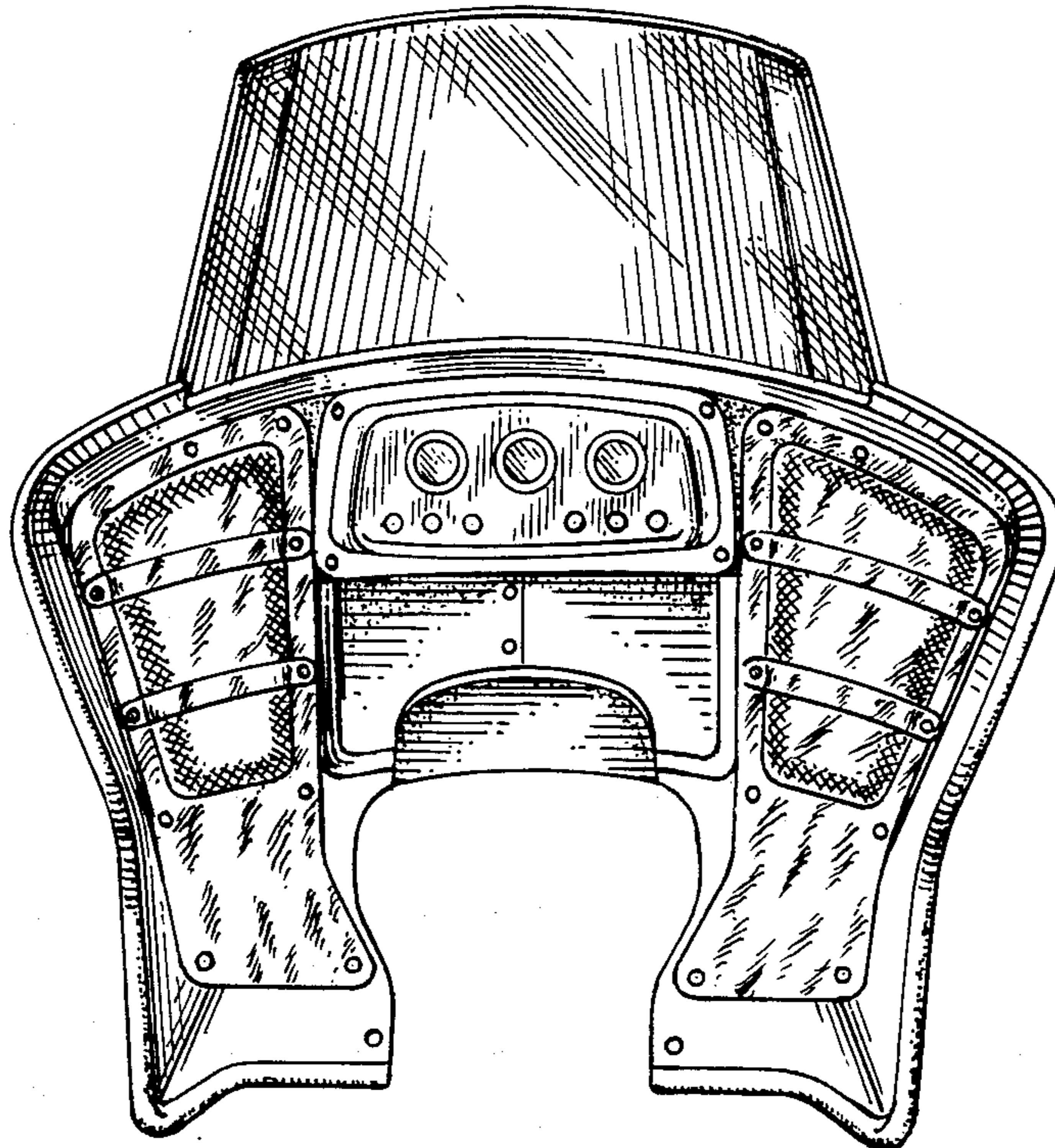


FIG. 5

