

[54] **INFANT'S CHAIR OR SIMILAR ARTICLE**

[75] Inventor: **Robert E. Burrige**, Mount Lebanon, Pa.

[73] Assignee: **Contourpedic Corporation**, Saddle Brook, N.J.

[\*\*] Term: **14 Years**

[21] Appl. No.: **647,708**

[22] Filed: **Jan. 9, 1976**

[51] Int. Cl. .... **D12-12**

[52] U.S. Cl. .... **D12/130**

[58] Field of Search ..... **D12/129, 130, 131; D6/7, 8; 297/355, 361**

[56] **References Cited**

**U.S. PATENT DOCUMENTS**

3,252,734 5/1966 Berlin ..... 297/361 X  
 3,583,762 6/1971 Strien ..... 297/361

3,747,976 7/1973 Lacey ..... 297/361  
 3,768,861 10/1973 Goldberg ..... 297/355 X  
 D. 172,269 5/1954 Dahlberg ..... D12/130  
 D. 195,672 7/1963 Hamilton et al. .... D6/7  
 D. 201,960 8/1965 Lay et al. .... D6/8  
 D. 240,722 7/1976 Blue ..... D12/129 X

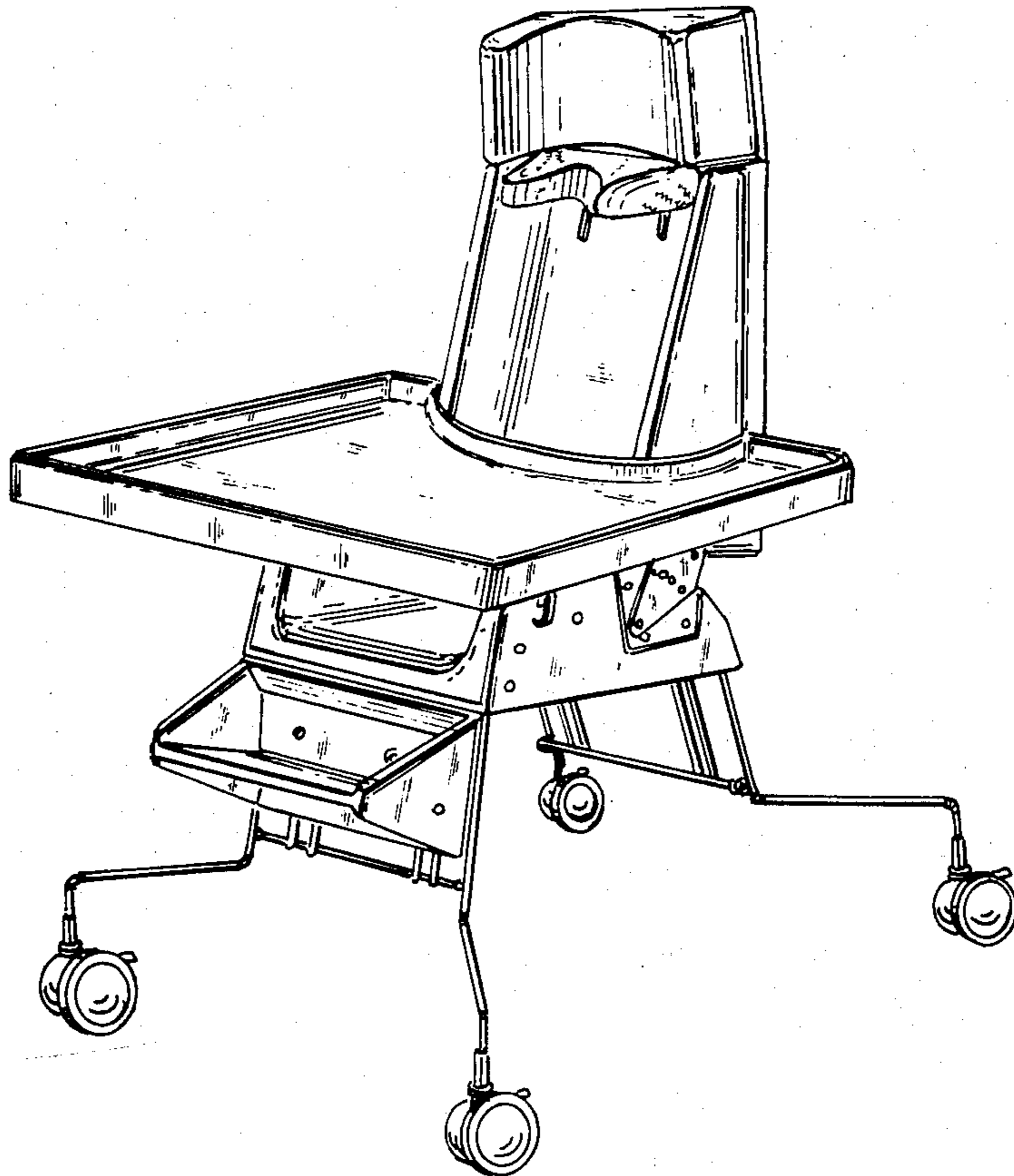
Primary Examiner—Bruce W. Dunkins  
 Attorney, Agent, or Firm—Louis E. Marn

[57] **CLAIM**

The ornamental design for an infant's chair or similar article, as shown.

**DESCRIPTION**

FIG. 1 is a perspective view of an infant's chair or similar article showing my new design;  
 FIG. 2 is a front elevation view thereof;  
 FIG. 3 is a top elevation view thereof;  
 FIG. 4 is a rear elevation view thereof;  
 FIG. 5 is a right side elevation view thereof;  
 FIG. 6 is a left side elevation view thereof.



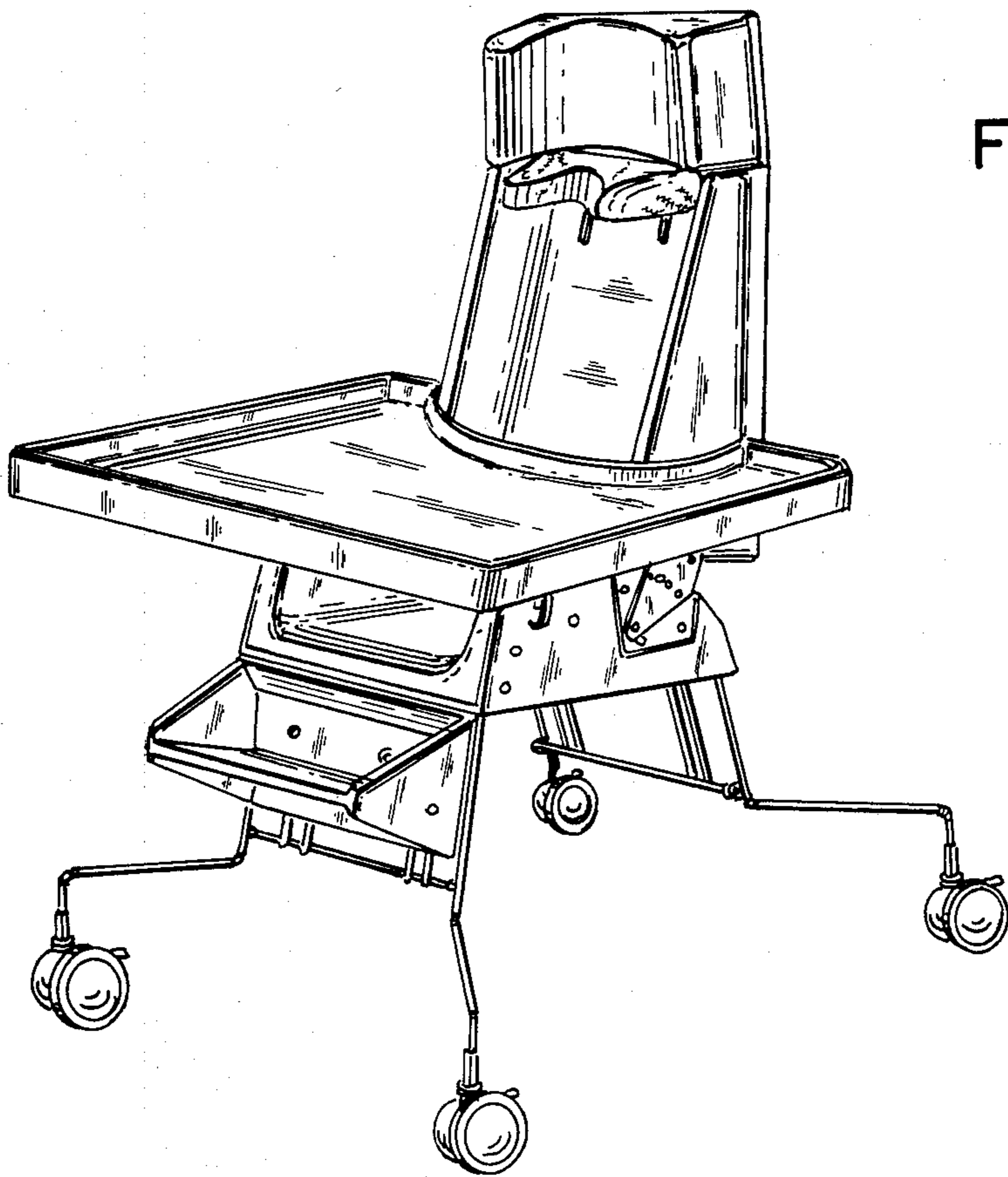


FIG. 1

FIG. 2

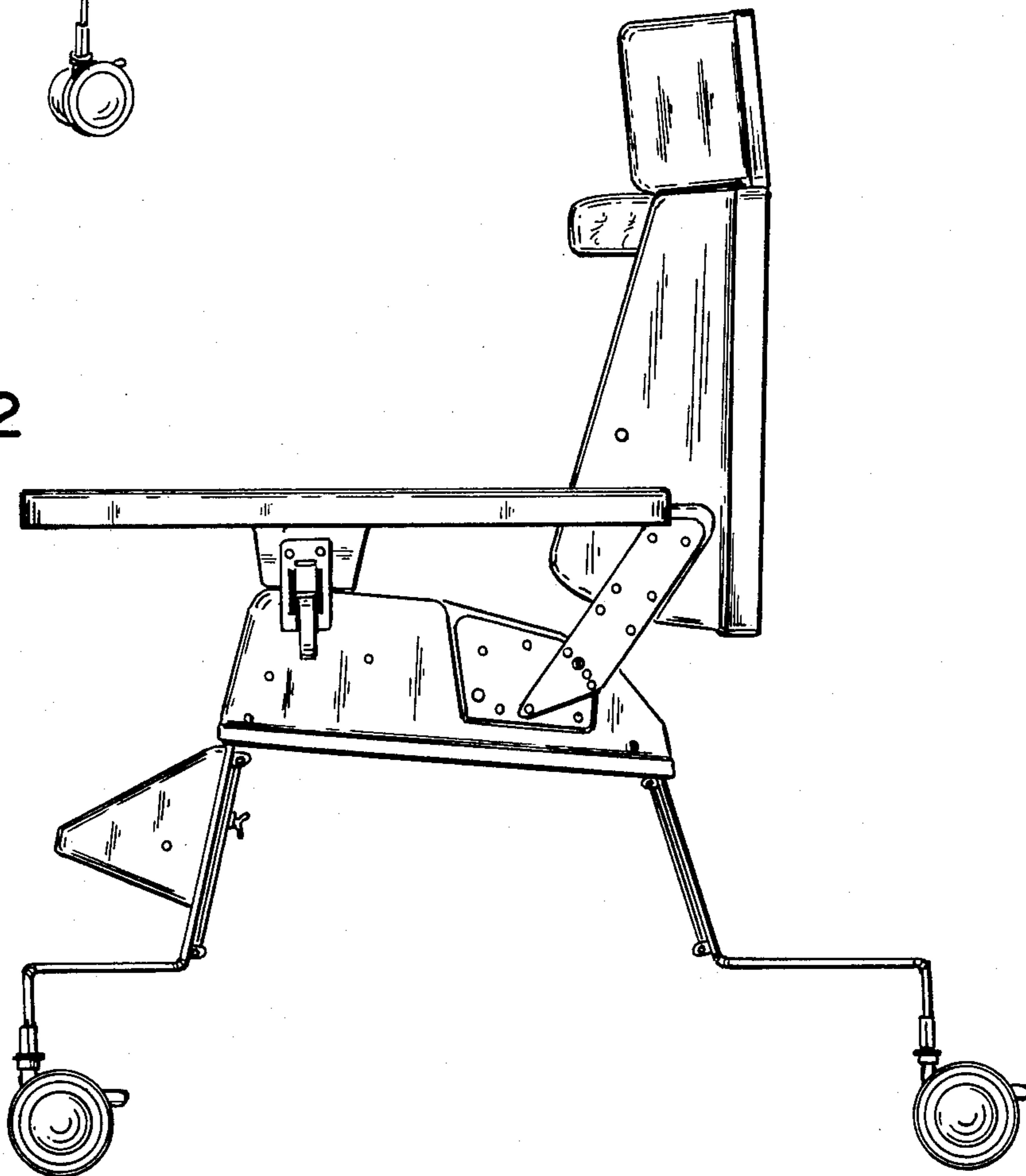


FIG. 4

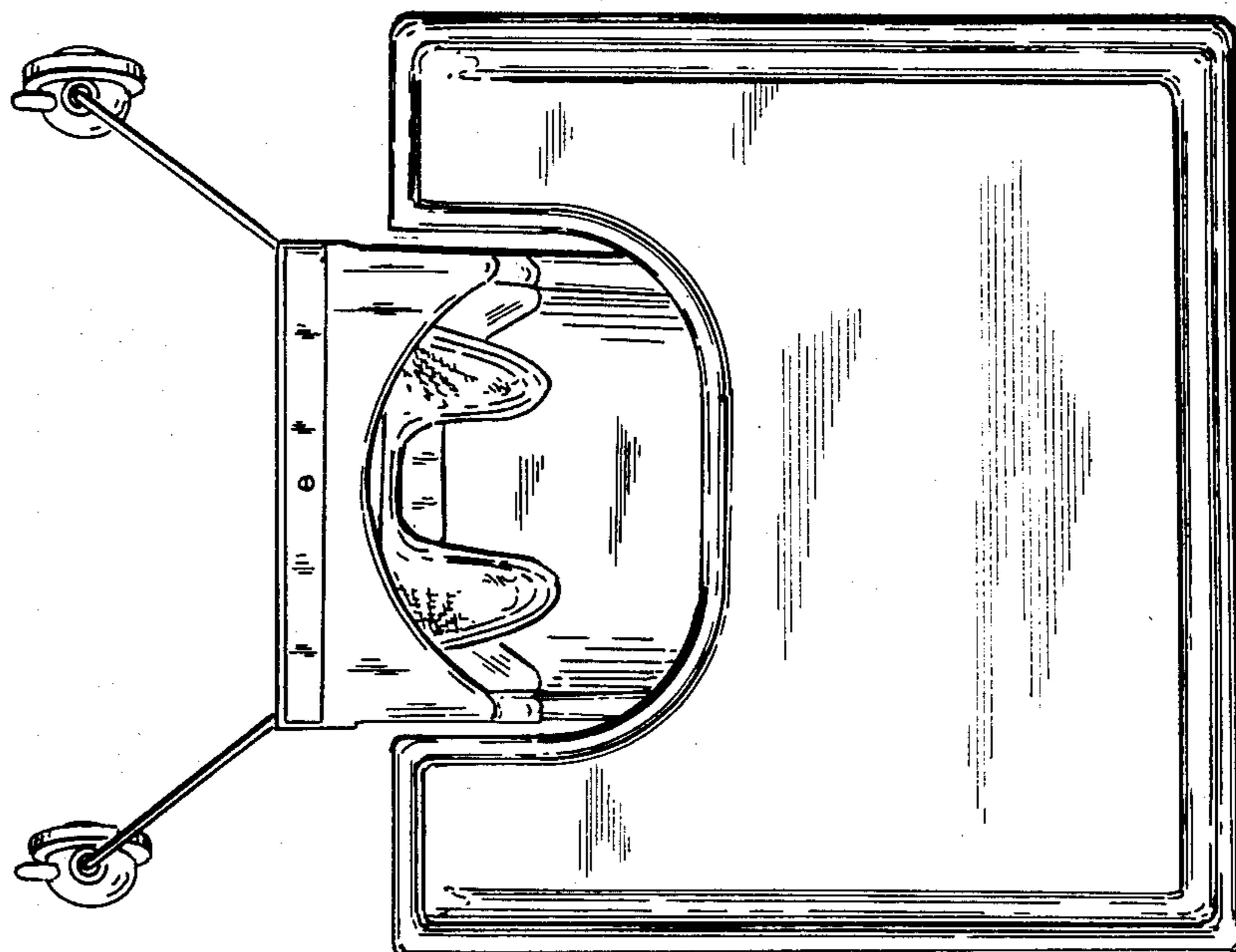


FIG. 3

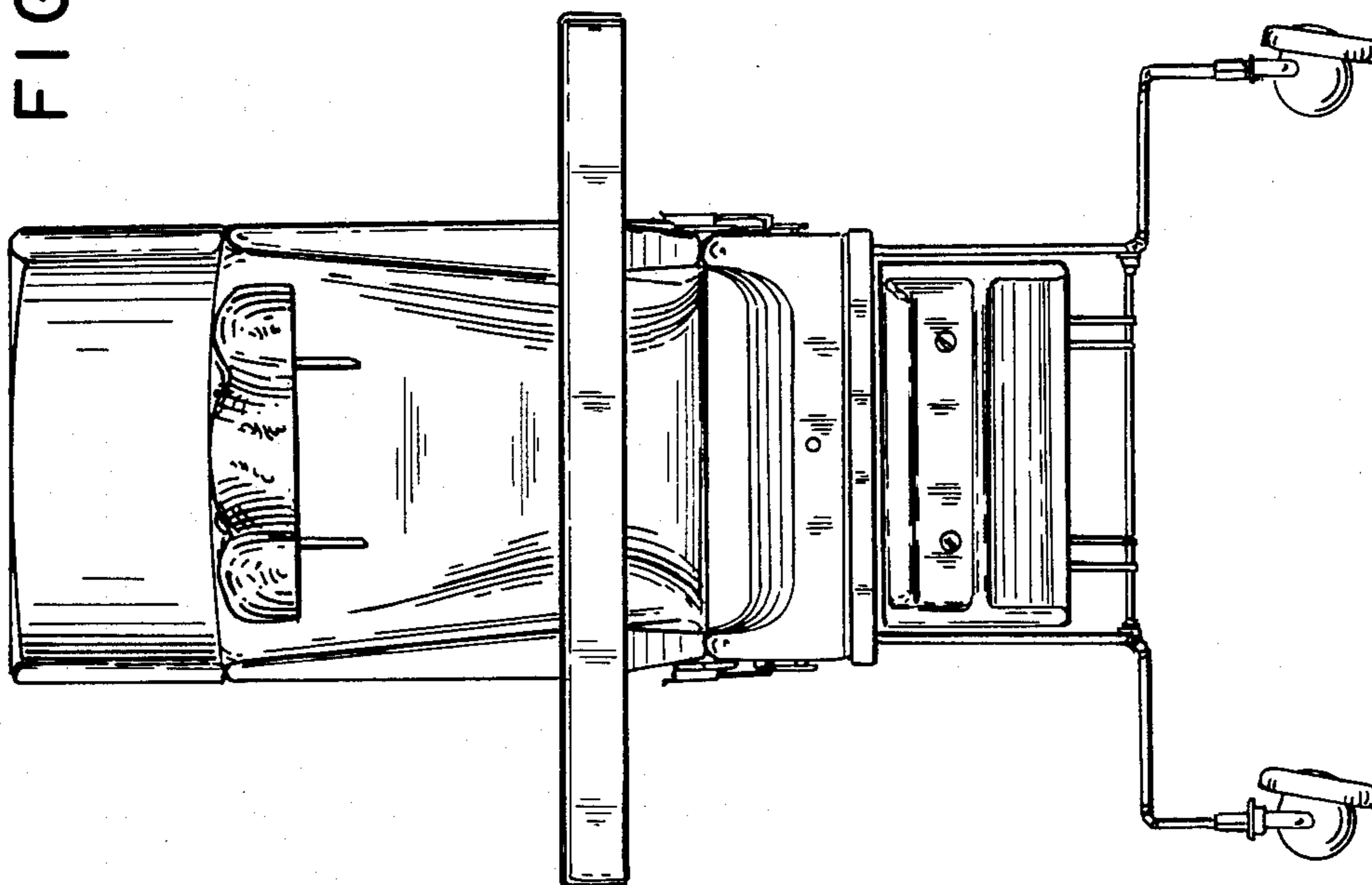


FIG. 5

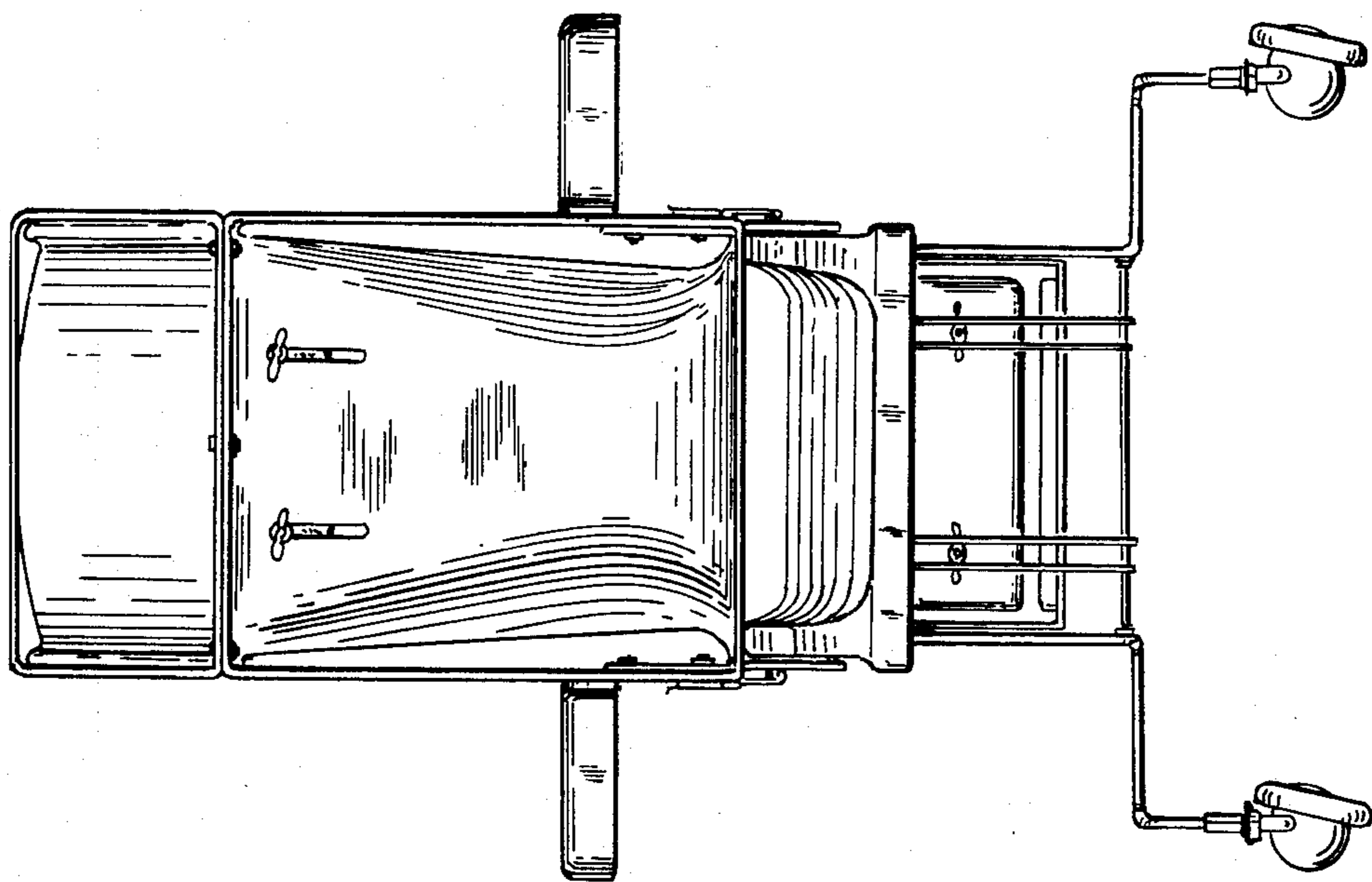


FIG. 6

