

[54] INFANT'S SEAT OR SIMILAR ARTICLE

[75] Inventor: Robert E. Burrige, Mount Lebanon, Pa.

[73] Assignee: Contourpedic Corporation, Saddle Brook, N.J.

[**] Term: 14 Years

[21] Appl. No.: 647,706

[22] Filed: Jan. 9, 1976

[51] Int. Cl. D12-12

[52] U.S. Cl. D12/130

[58] Field of Search D12/129, 130, 131; D6/7, 8; 297/355, 361

[56] References Cited

U.S. PATENT DOCUMENTS

3,252,734	5/1966	Berlin	297/361 X
3,583,762	6/1971	Strien	297/361

3,747,976	7/1973	Lacey	297/361
3,768,861	10/1973	Goldberg	297/355 X
D. 172,269	5/1954	Dahlberg	D12/130
D. 195,672	7/1976	Hamilton et al.	D6/7
D. 201,960	8/1965	Lay et al.	D6/8
D. 240,722	7/1976	Blue	D12/129 X

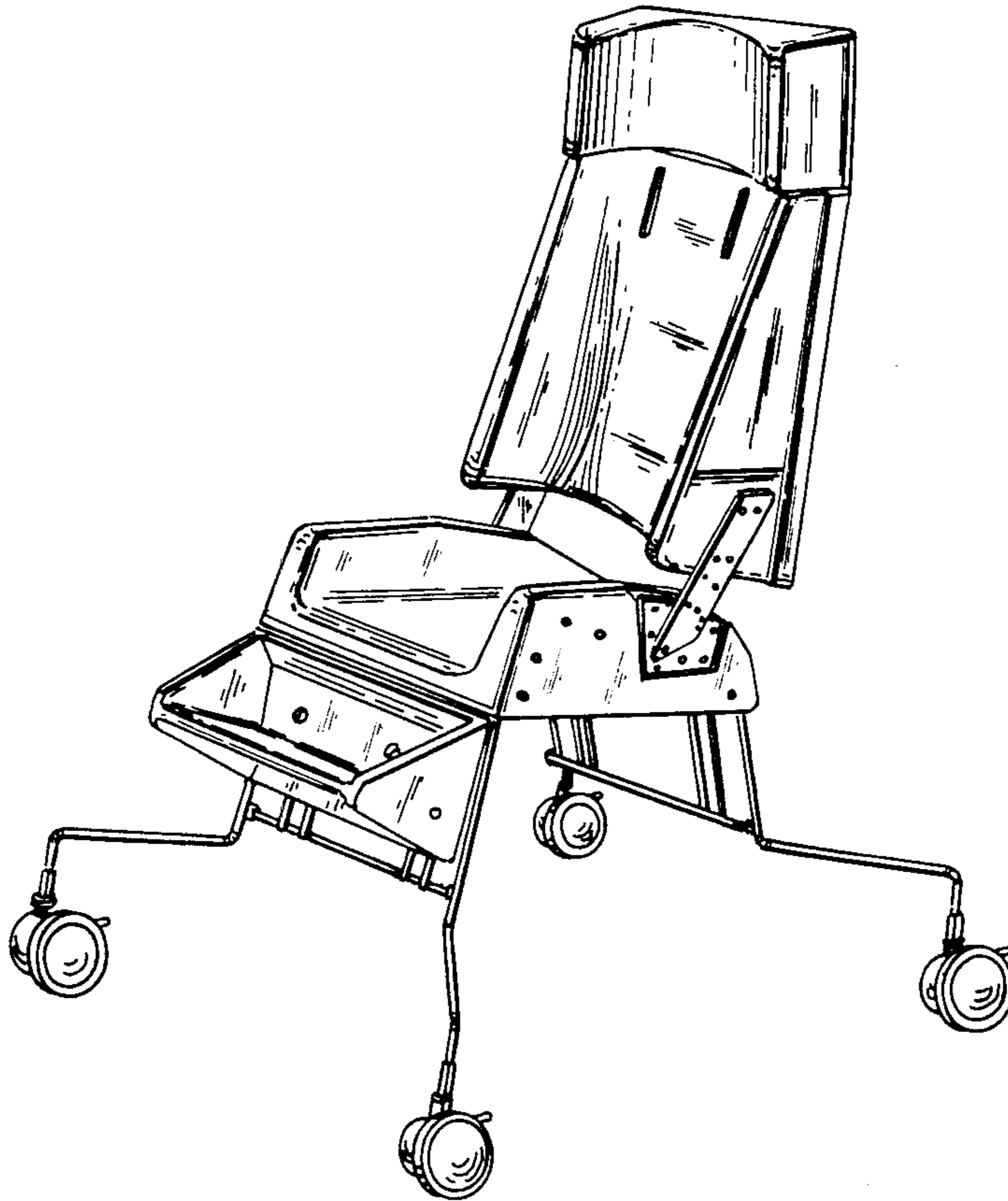
Primary Examiner—Bruce W. Dunkins
Attorney, Agent, or Firm—Louis E. Marn

[57] CLAIM

The ornamental design for an infant's seat or similar article, as shown.

DESCRIPTION

FIG. 1 is a perspective view of an infant's seat or similar article showing my new design;
FIG. 2 is a front elevation view thereof;
FIG. 3 is a top elevation view thereof;
FIG. 4 is a rear elevation view thereof;
FIG. 5 is a right side elevation view thereof;
FIG. 6 is a left side elevation view thereof.



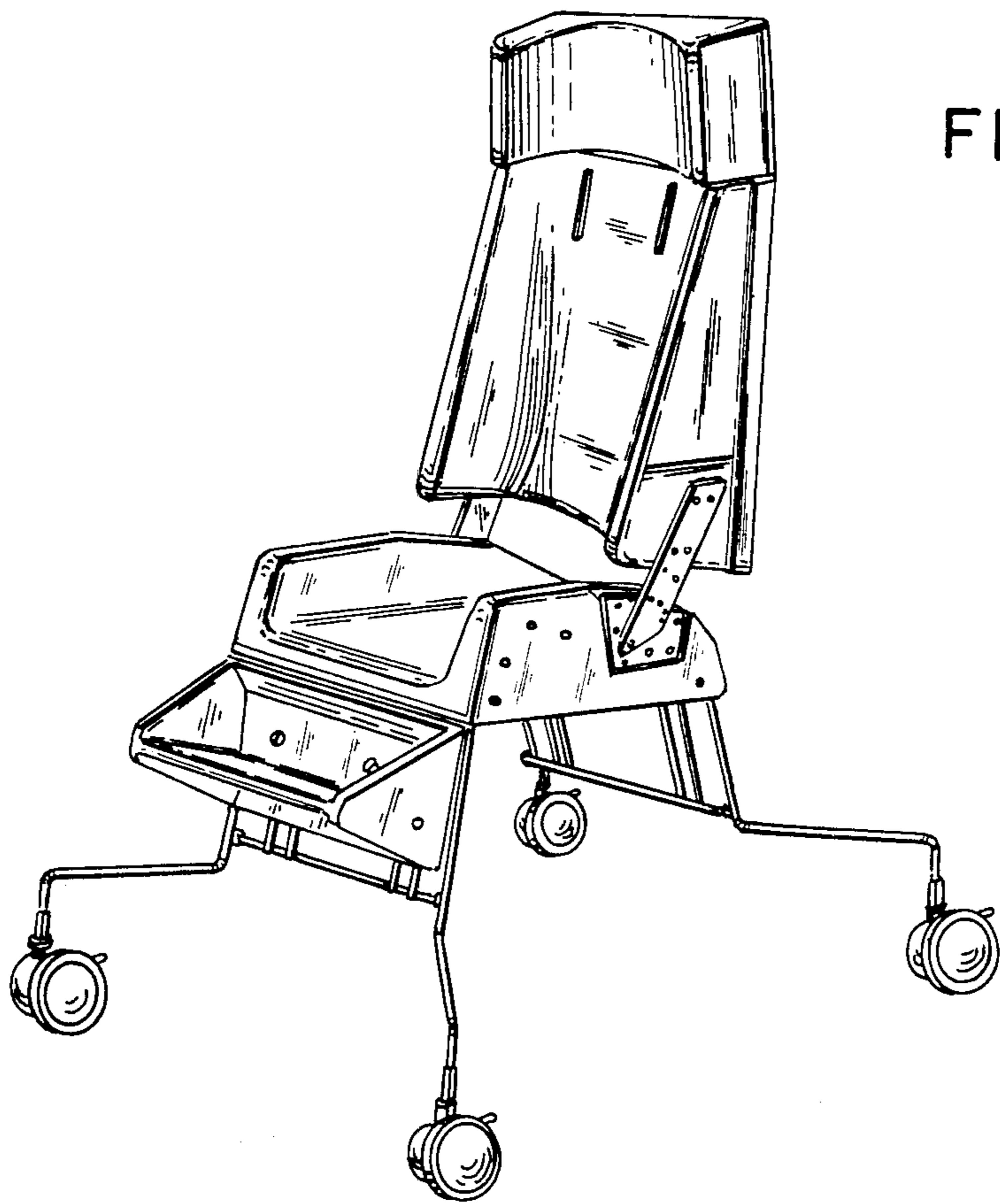


FIG. 1

FIG. 2

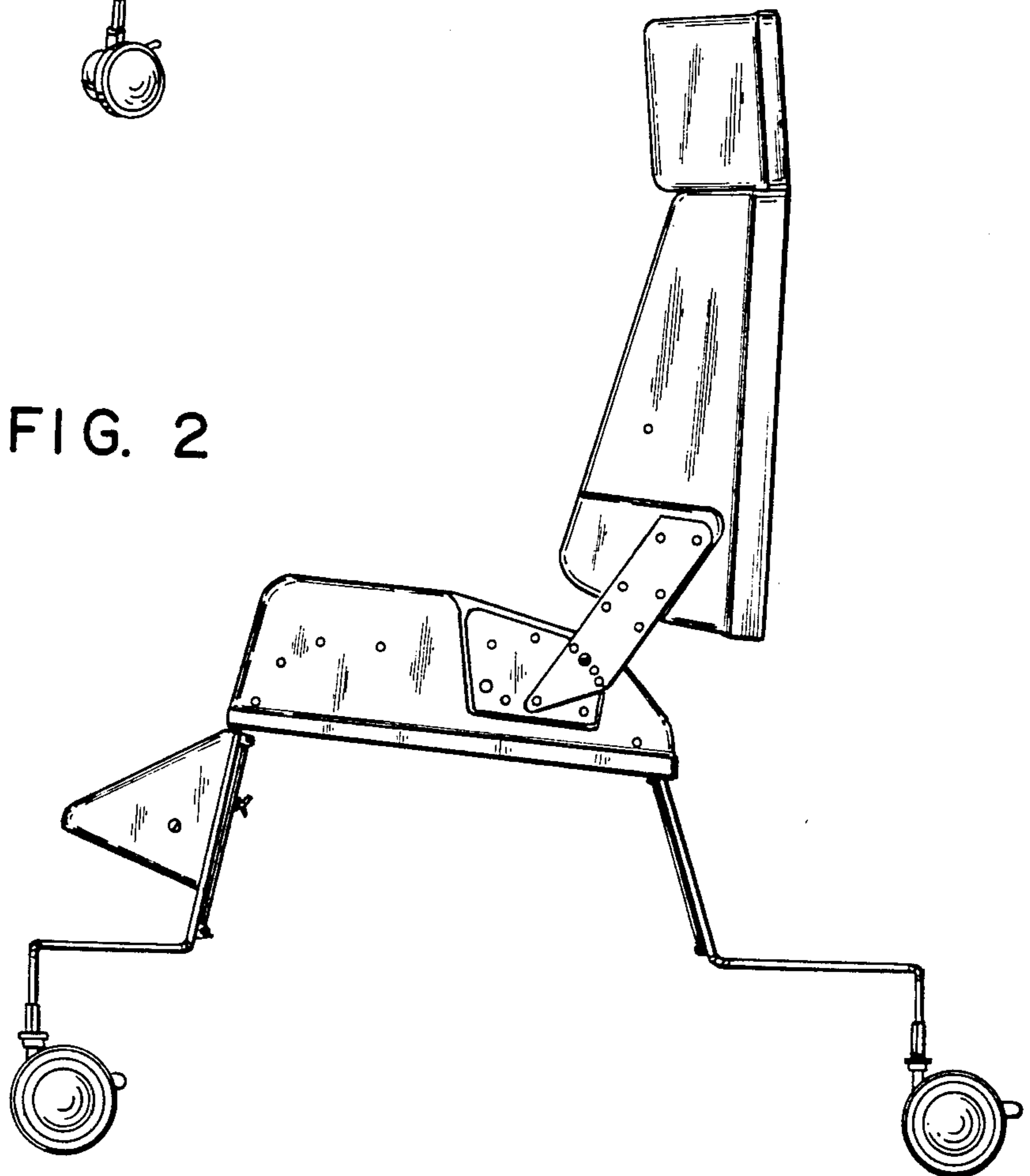


FIG. 4

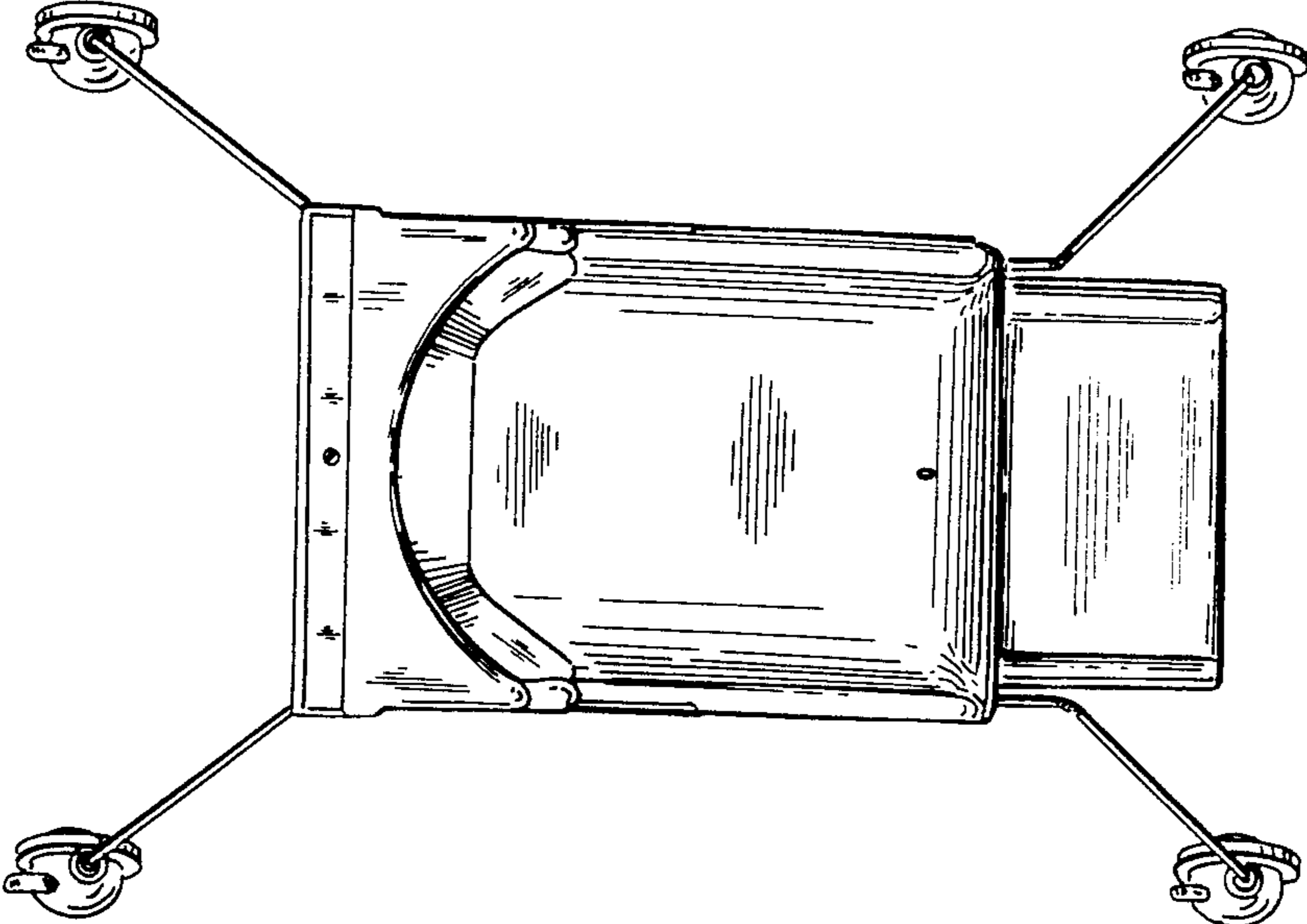


FIG. 3

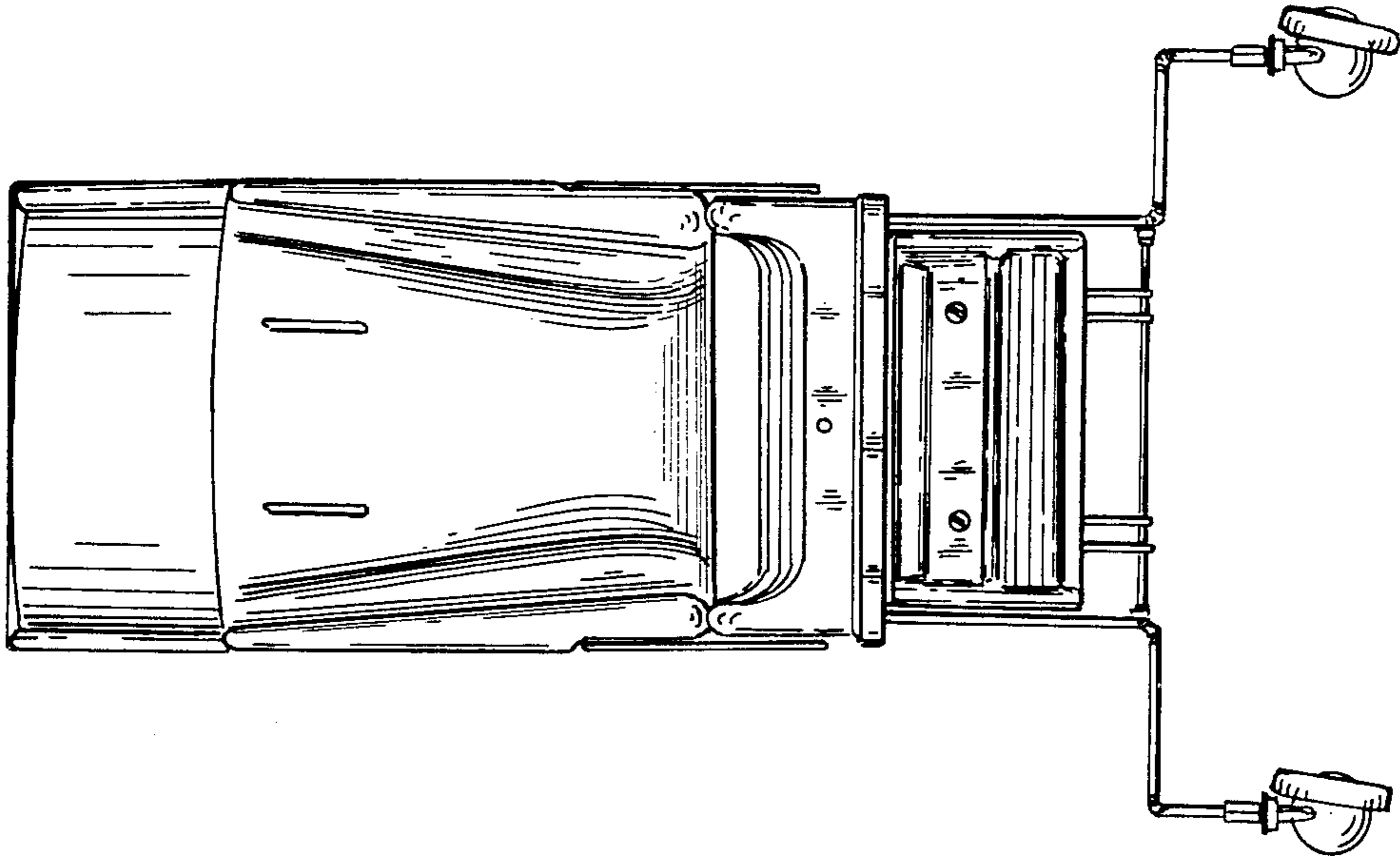


FIG. 5

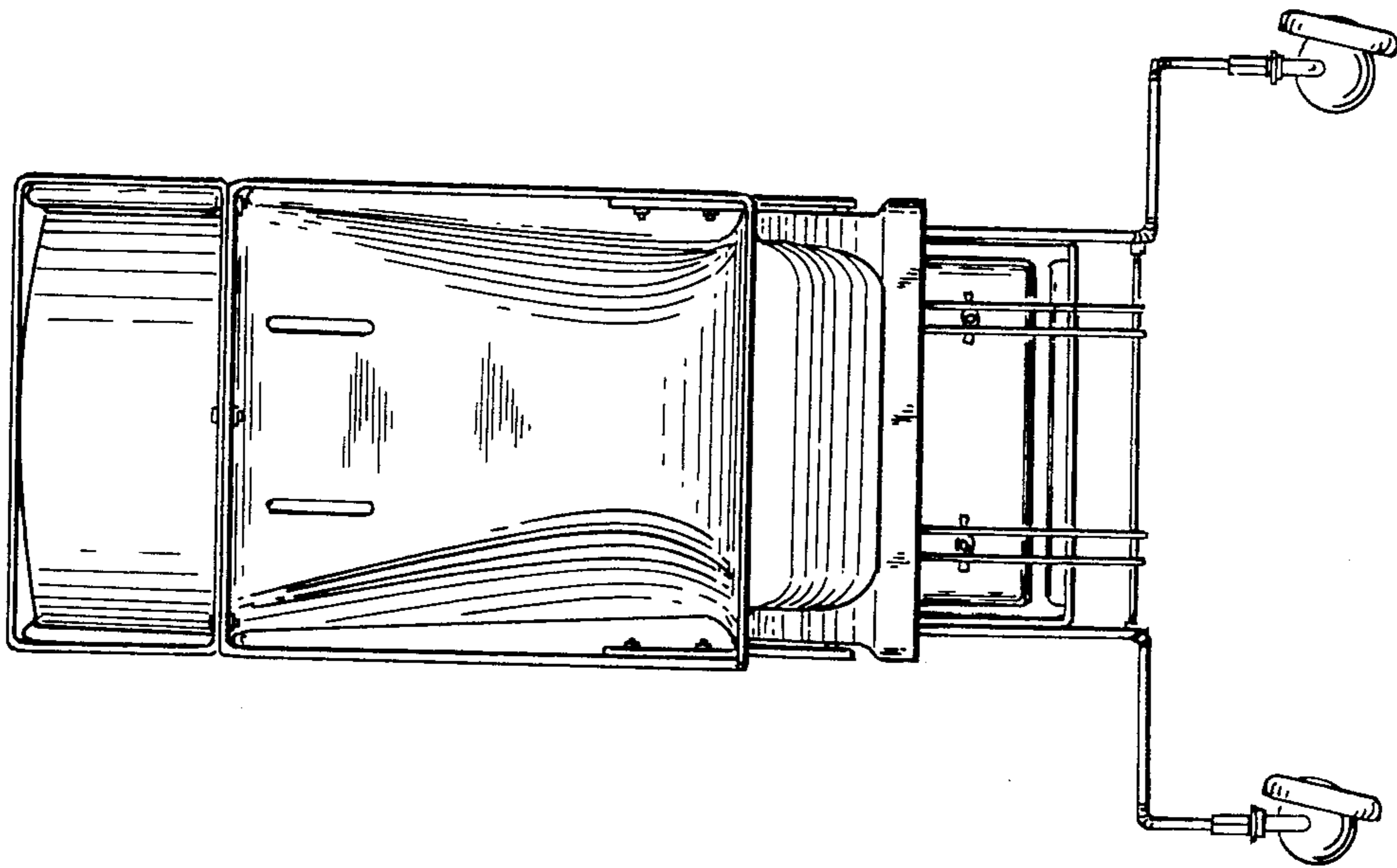


FIG. 6

