

[54] ACTUATOR CAP FOR A PRESSURIZED DISPENSER

[75] Inventor: Roger Anthony Butcher, Horndean, England

[73] Assignee: Aerosol Inventions and Development S.A. A.I.D.S.A.

[**] Term: 14 Years

[21] Appl. No.: 636,148

[22] Filed: Nov. 28, 1975

[30] Foreign Application Priority Data

June 27, 1975 United Kingdom 971664/75

[51] Int. Cl. D9-07

[52] U.S. Cl. D9/258

[58] Field of Search D9/8, 9, 258; 222/402.21-402.23, 394

[56] References Cited

U.S. PATENT DOCUMENTS

D. 177,975	6/1956	Harris	D9/9
D. 207,809	5/1967	Flury	D9/258
D. 221,523	8/1971	Mason et al.	D9/258
D. 234,344	2/1975	Schick	D9/258

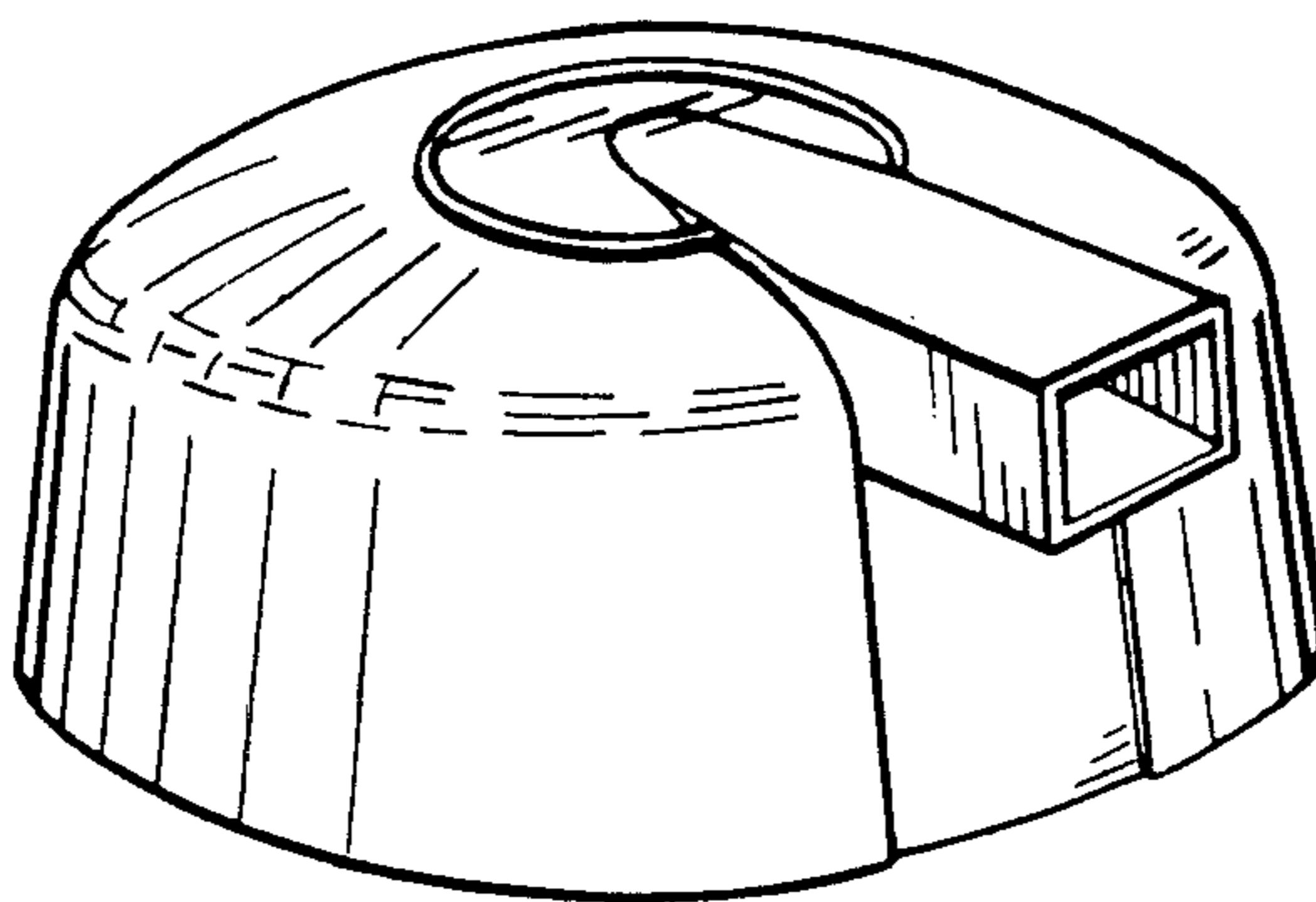
Primary Examiner—Robert C. Spangler
Attorney, Agent, or Firm—Samuel Scrivener, Jr.

[57] CLAIM

The ornamental design for an actuator cap for a pressurized dispenser, as shown and described.

DESCRIPTION

FIG. 1 is a front perspective view of an actuator cap for a pressurized dispenser embodying my new design; FIG. 2 is a top plan view; FIG. 3 is a front view; FIG. 4 is a rear view, and FIG. 5 is a side view, the opposite side view corresponding thereto.



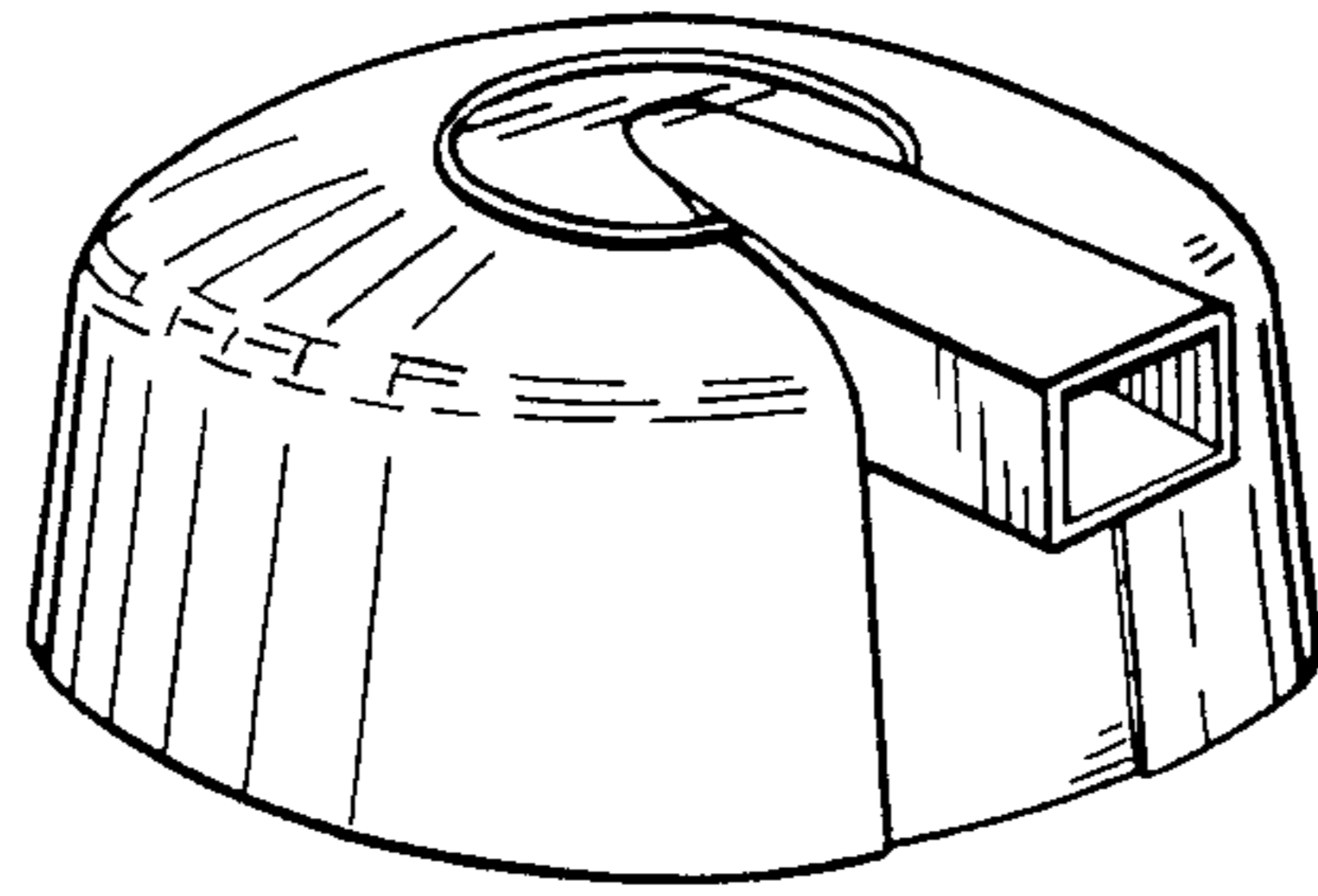


FIG. 1.

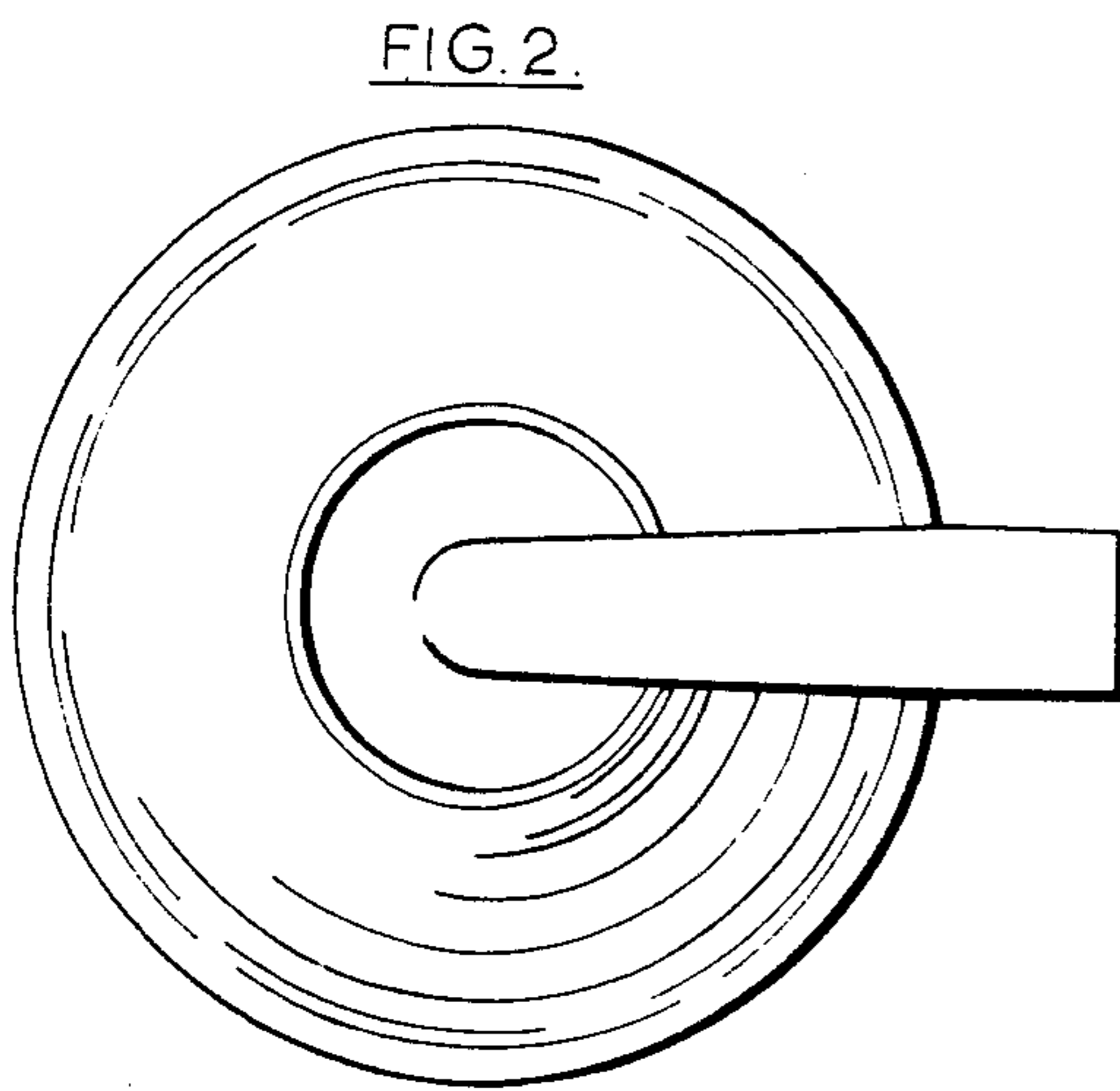


FIG. 2.

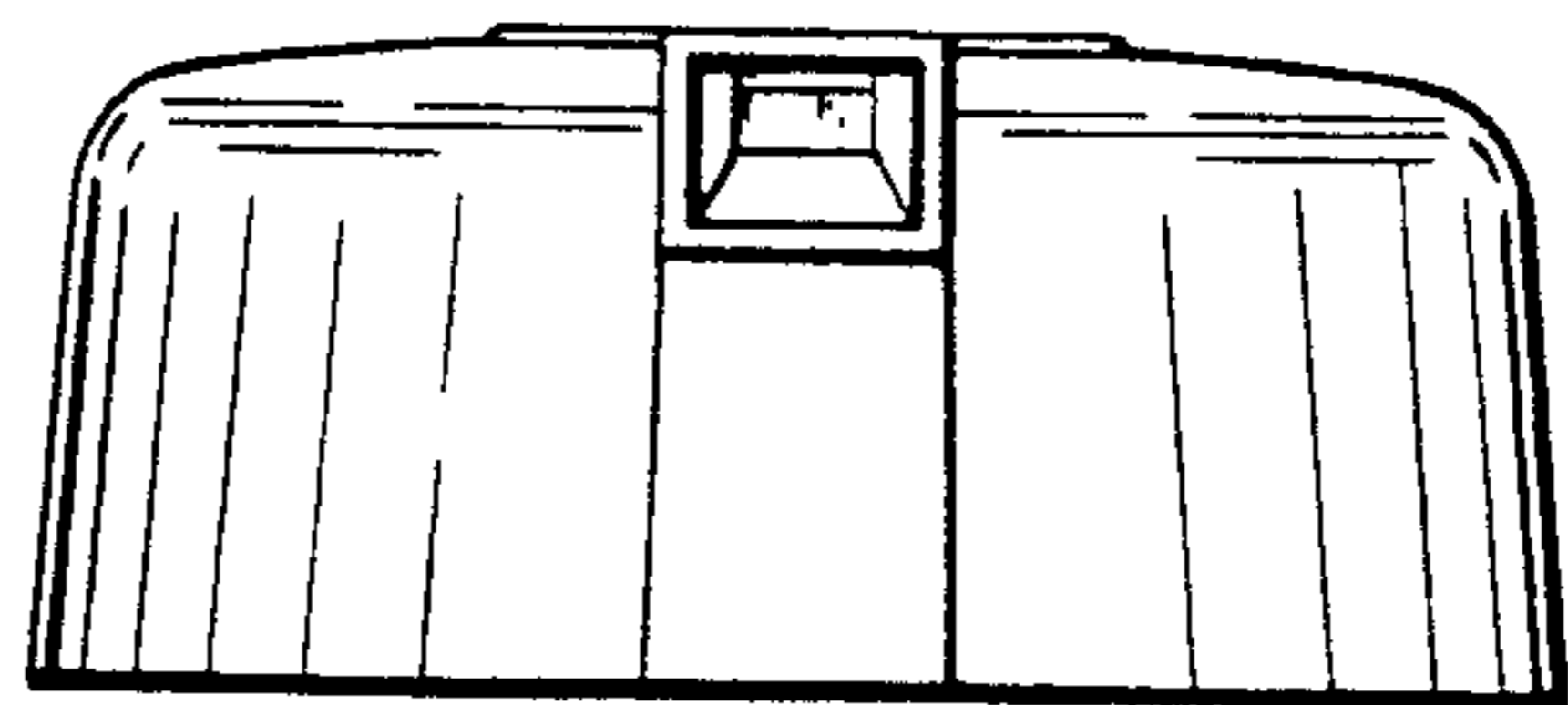


FIG. 3.

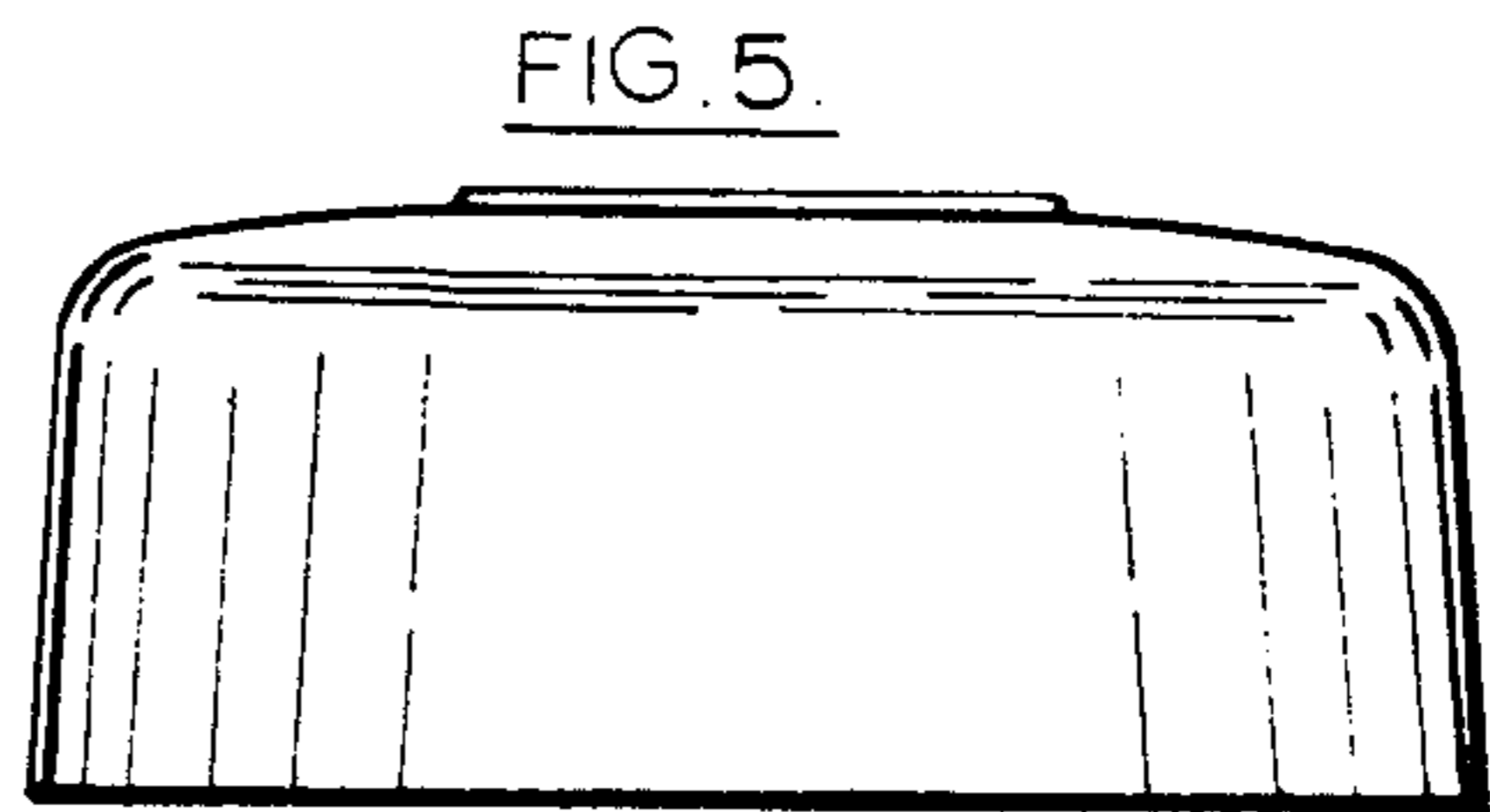


FIG. 5.

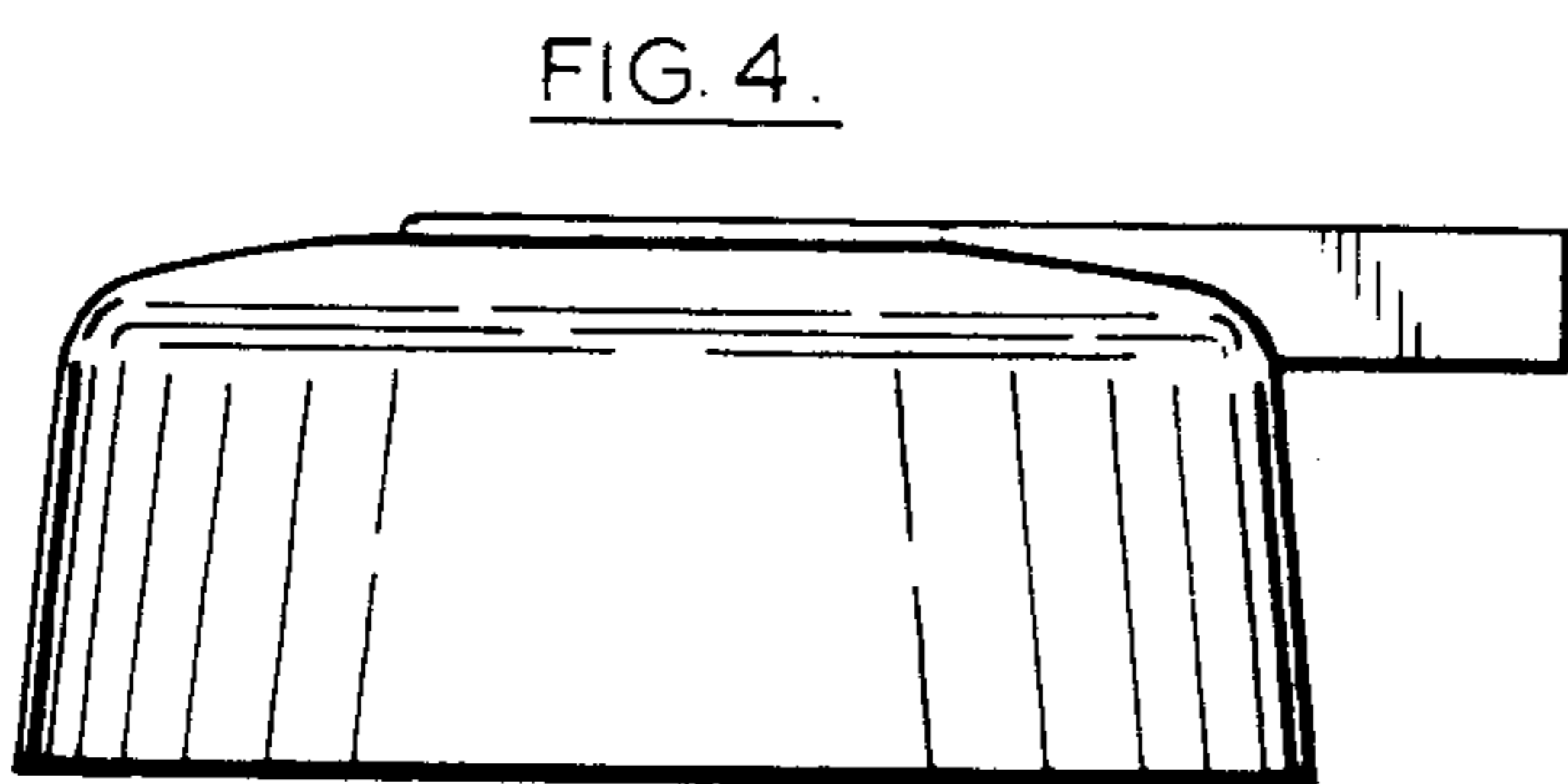


FIG. 4.