

[54] DESIGN FOR DRAPERY PACKAGING TRAY

[76] Inventor: Michael D. Frisbey, 6891 S. Uinata St., Englewood, Colo. 80110

[**] Term: 14 Years

[21] Appl. No.: 576,803

[22] Filed: May 12, 1975

[51] Int. Cl. D9-03

[52] U.S. Cl. D9/242

[58] Field of Search 229/6 R, 30-34; 206/45.19, 45.31; D9/222-244

[56]

References Cited

U.S. PATENT DOCUMENTS

2,472,516	6/1949	Buttery	229/30
2,648,427	8/1953	Langford	206/45.31
D. 108,605	2/1938	Nagle	D9/224

Primary Examiner—Robert C. Spangler
Attorney, Agent, or Firm—G. E. Lande

[57]

CLAIM

The ornamental design for a drapery packaging tray, as shown and described.

DESCRIPTION

FIG. 1 is a front perspective view;
FIG. 2 is another front perspective view of a drapery packaging tray showing my new design; and
FIG. 3 is a bottom rear perspective view thereof.
The dash lines in the drawing represent score lines.

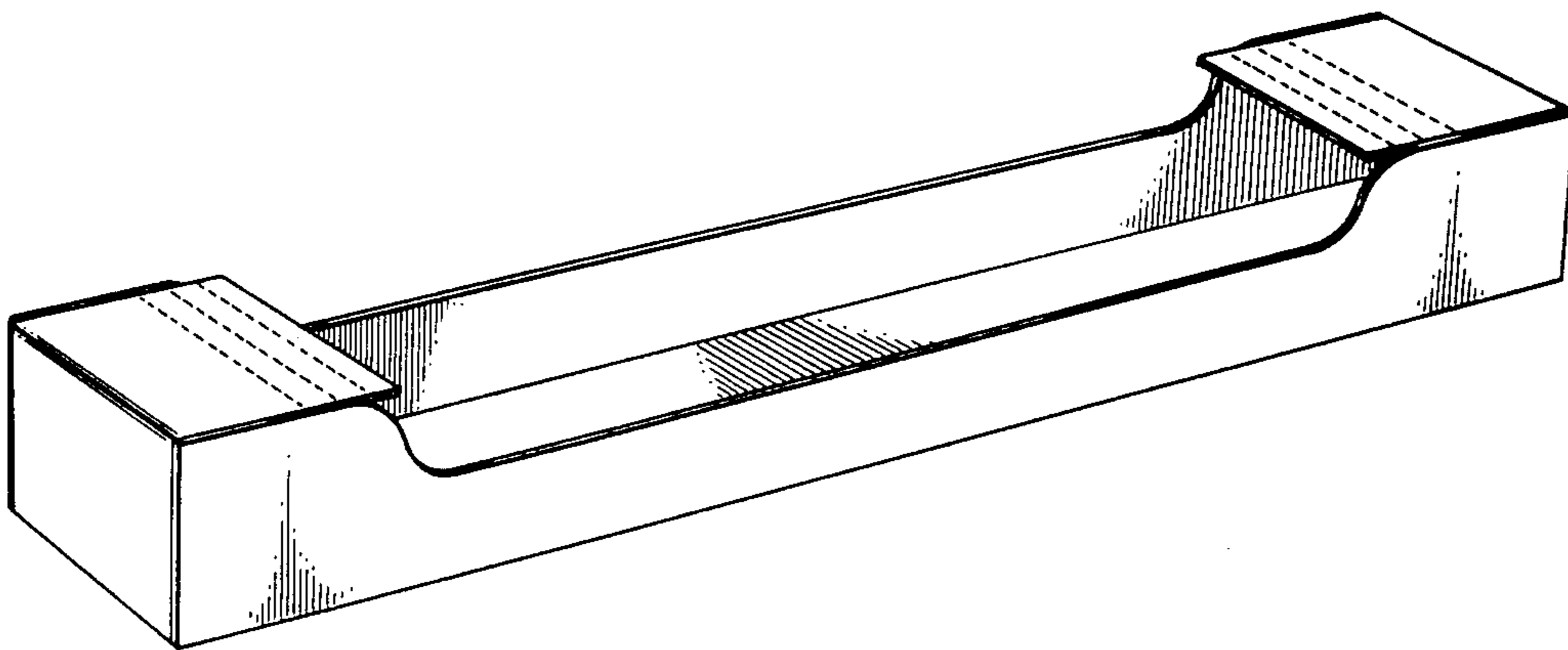


Fig. 1.

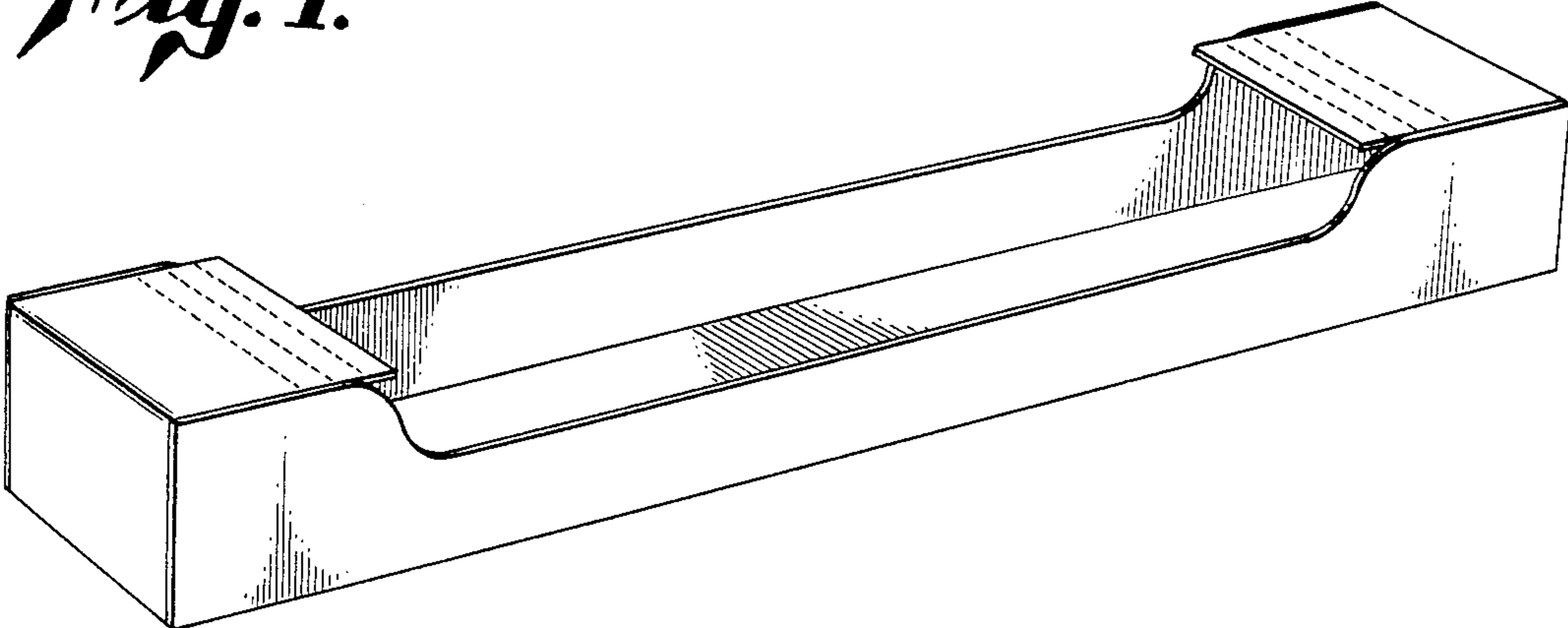


Fig. 2.

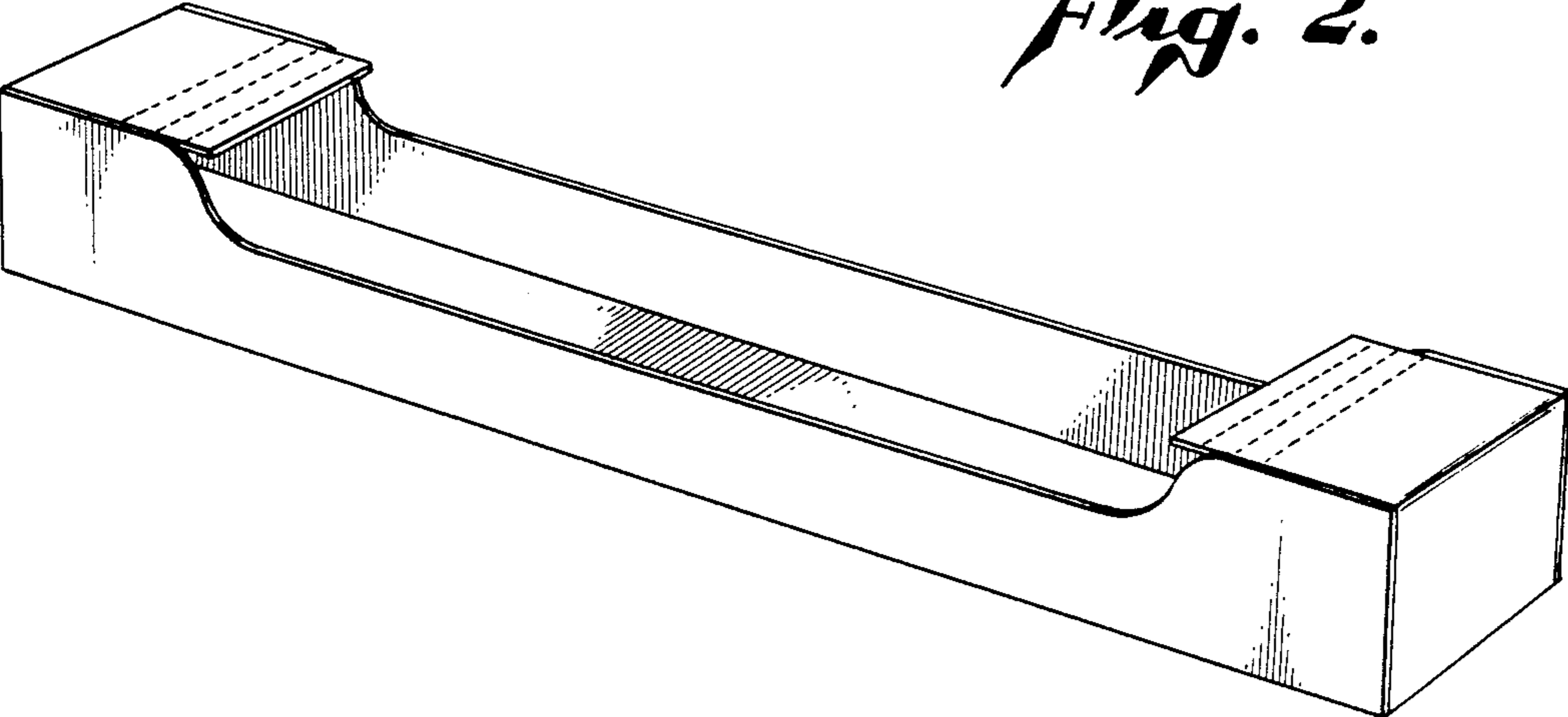


Fig. 3.

