

[54] SLIDE MOUNT BRACKET FOR A RADIO AND THE LIKE

[76] Inventor: Roy M. Neece, 3248 Cheryl Lane, Haltom City, Tex. 76117

[**] Term: 14 Years

[21] Appl. No.: 679,156

[22] Filed: Apr. 22, 1976

[51] Int. Cl. D8-08

[52] U.S. Cl. D8/354

[58] Field of Search D12/155; D8/259, 233, D8/246, 247; 224/29 R, 42.11, 42.42 R, 42.45 R; 108/44; 248/13, 14, 12; 296/1 R, 37 R; 314/242, 7 R; 325/312

[56] References Cited

FOREIGN PATENT DOCUMENTS

1,209,317 9/1959 France 325/312

OTHER PUBLICATIONS

J.C. Whitney Catalog No. 316, Rec'd 10/24/73, p. 9, Middle Mount Bracket, B, lower left side of page.

J.C. Whitney Catalog No. 316, Rec'd 10/24/73, p. 9, Mini Mount Bracket, D, lower left side of page.

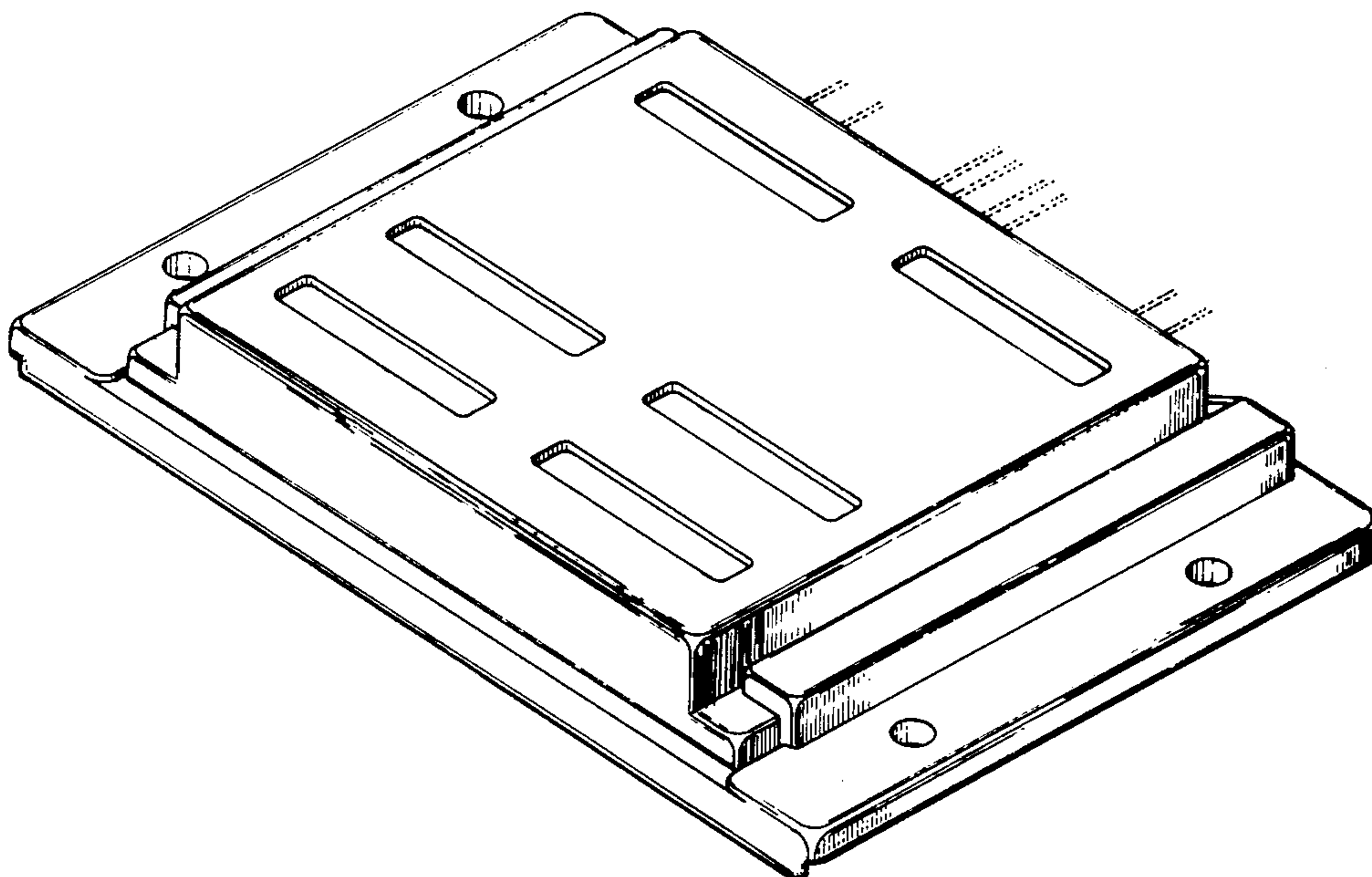
Primary Examiner—Wallace R. Burke
Assistant Examiner—James M. Gandy
Attorney, Agent, or Firm—Charles W. McHugh

[57] CLAIM

The ornamental design for a slide mount bracket for a radio and the like, as shown and described.

DESCRIPTION

FIG. 1 is a perspective view of the slide mount bracket showing my new design;
FIG. 2 is a top plan view thereof on a reduced scale;
FIG. 3 is a bottom plan view thereof on a reduced scale;
FIG. 4 is a front elevational view thereof on a reduced scale;
FIG. 5 is a rear elevational view thereof on a reduced scale;
FIG. 6 is a right side elevational view thereof on a reduced scale; and
FIG. 7 is a left side elevational view thereof on a reduced scale.
The broken lines in the drawing are for illustrative purposes only.



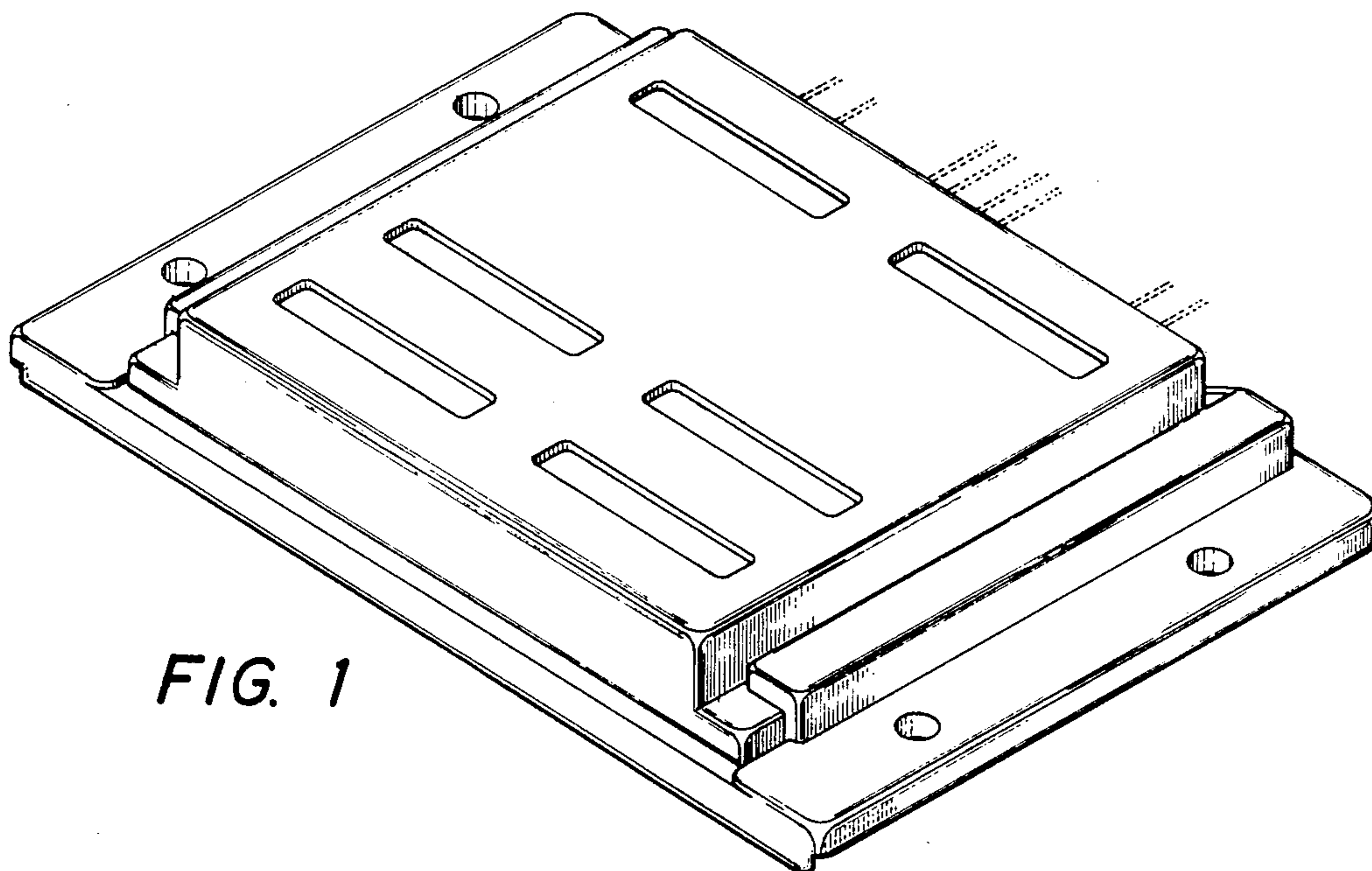


FIG. 1

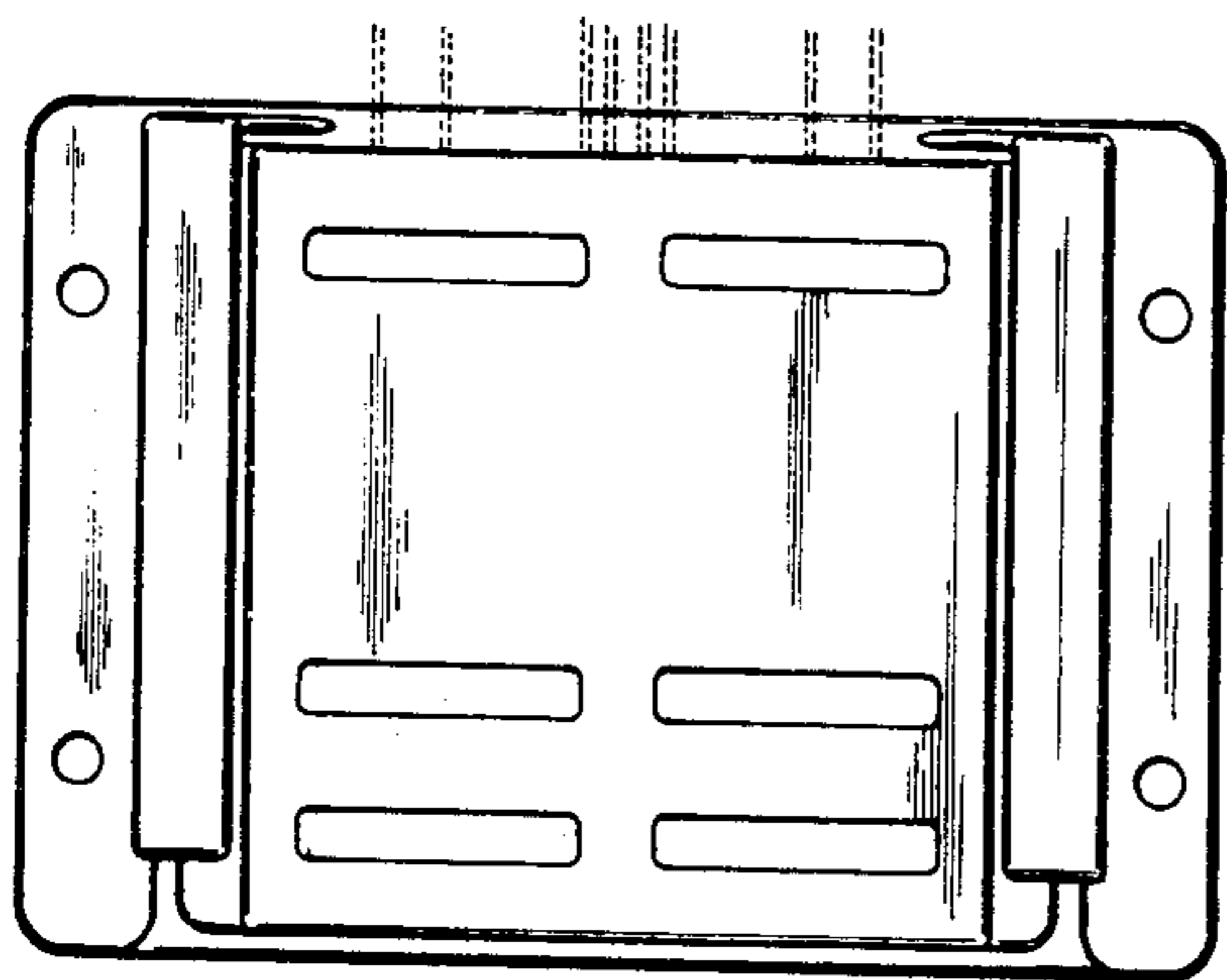


FIG. 2

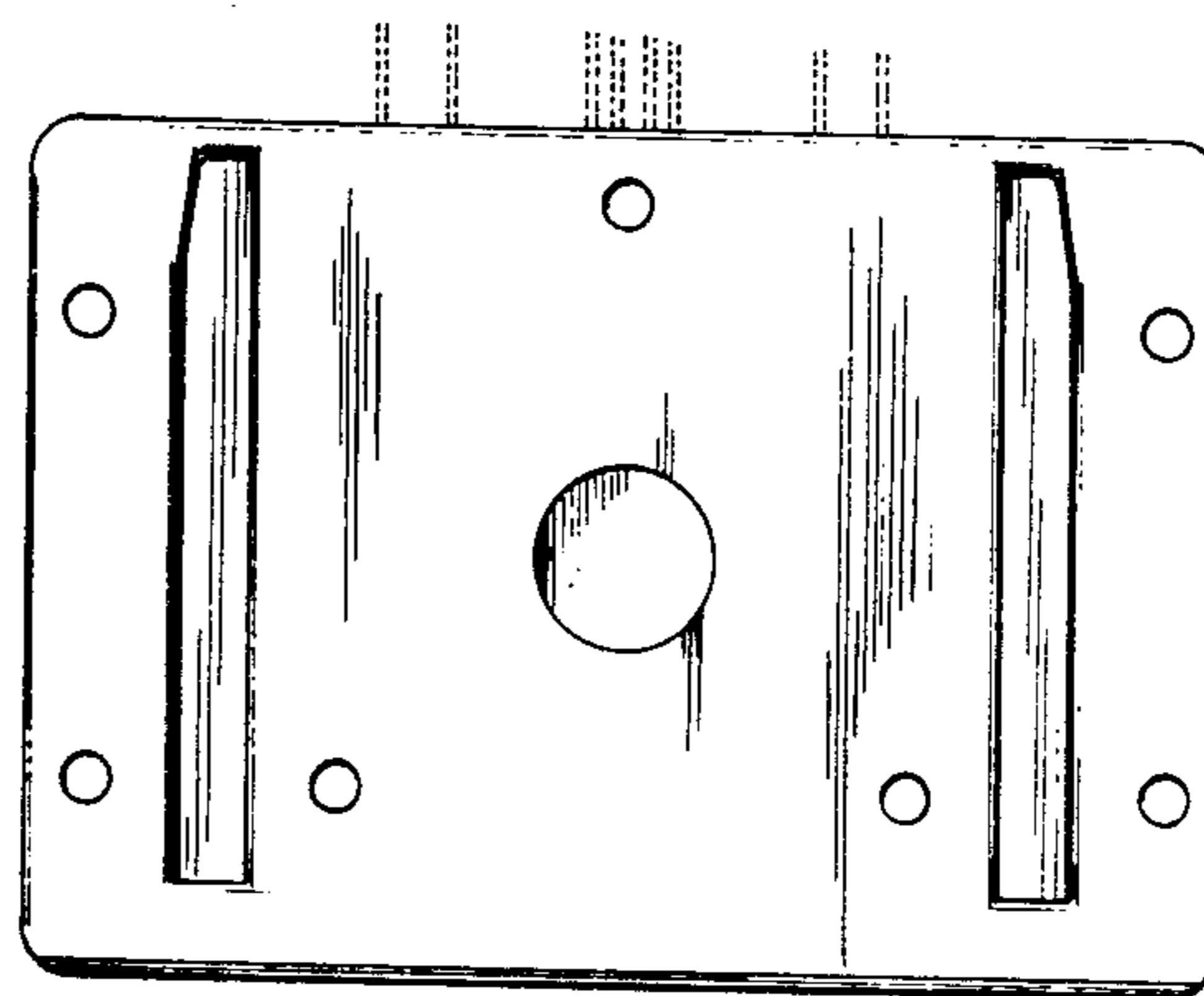


FIG. 3

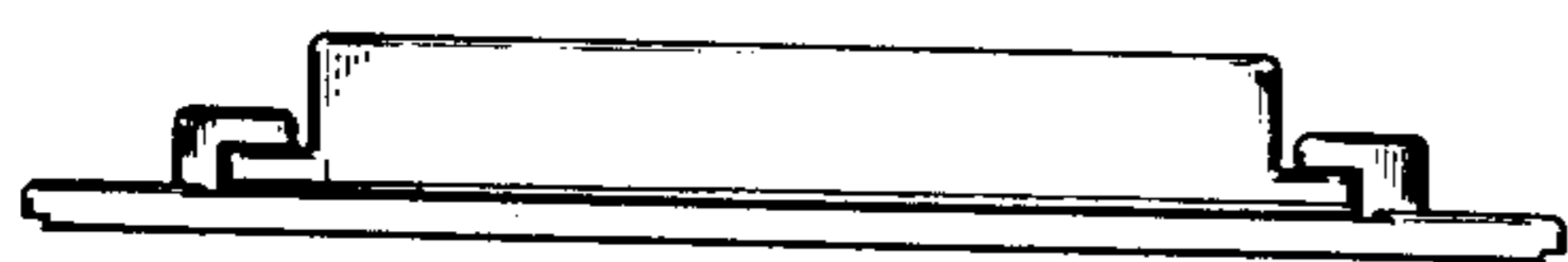


FIG. 4

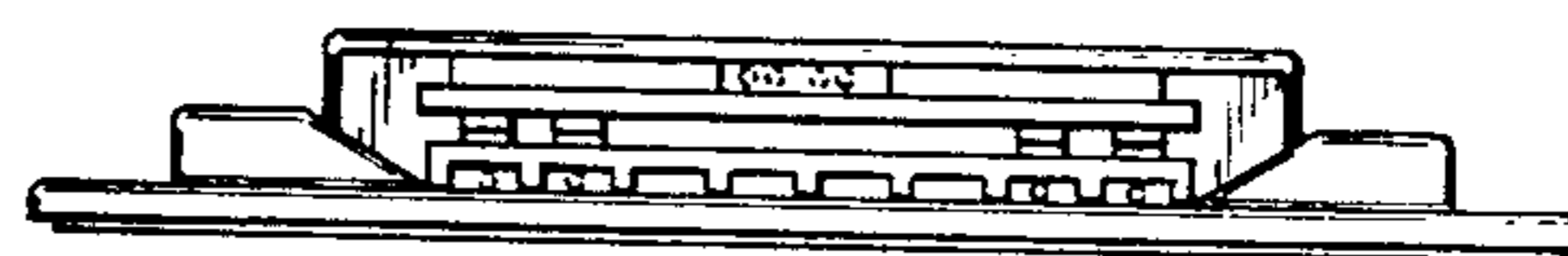


FIG. 5

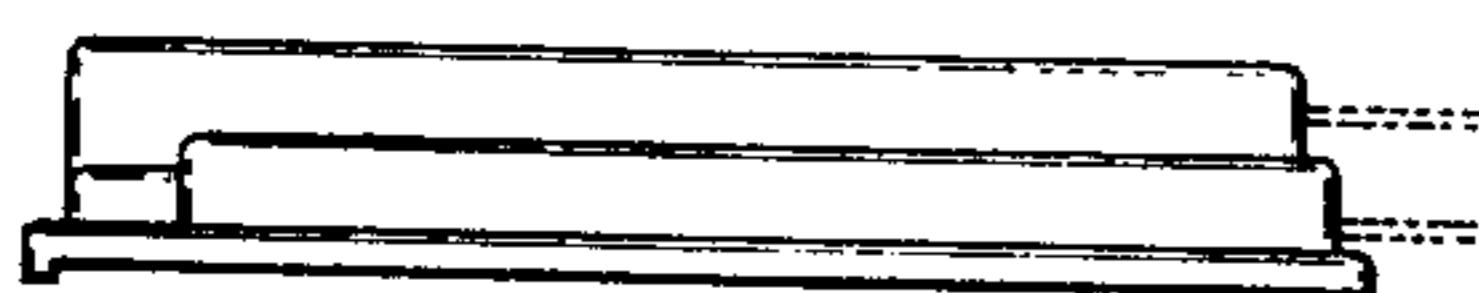


FIG. 6

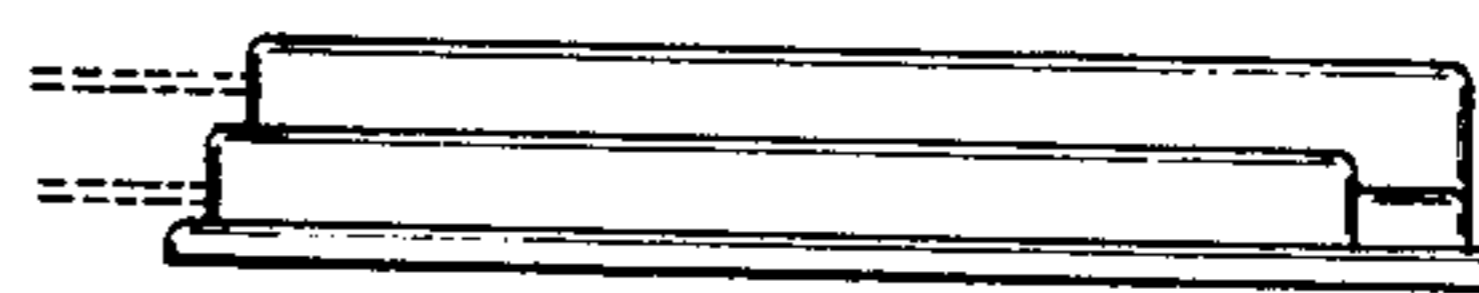


FIG. 7