

[54] **ROLLER FOR REMOVING WATER FROM TENNIS COURTS, GOLF GREENS AND THE LIKE**

[76] Inventor: **Conrad A. Yankee**, 103 Seaview Ave., West Haven, Conn. 06516

[**] Term: **14 Years**

[21] Appl. No.: **613,441**

[22] Filed: **Sept. 15, 1975**

[51] Int. Cl. **D7-05**

[52] U.S. Cl. **D7/179**

[58] **Field of Search** D7/161, 178-185; D64/18; 15/159 R, 159 A, 160, 208, 209 R, 210 R, 220 R, 228, 229 B, 118, 119, 230, 230.11, 230.14, 236 A, 244 R, 245, 250.36, 250.37, 256.5, 256.51, 256.52, 256.53

[56] **References Cited**

U.S. PATENT DOCUMENTS

2,811,733	11/1957	Sloan	15/230.11
3,246,357	4/1966	Ammons	D4/1 UX
3,593,360	7/1971	Coughlin	15/230.11

3,866,257 2/1975 Cansdale, Sr. 15/230.11

FOREIGN PATENT DOCUMENTS

828,727 1960 United Kingdom 15/230.11

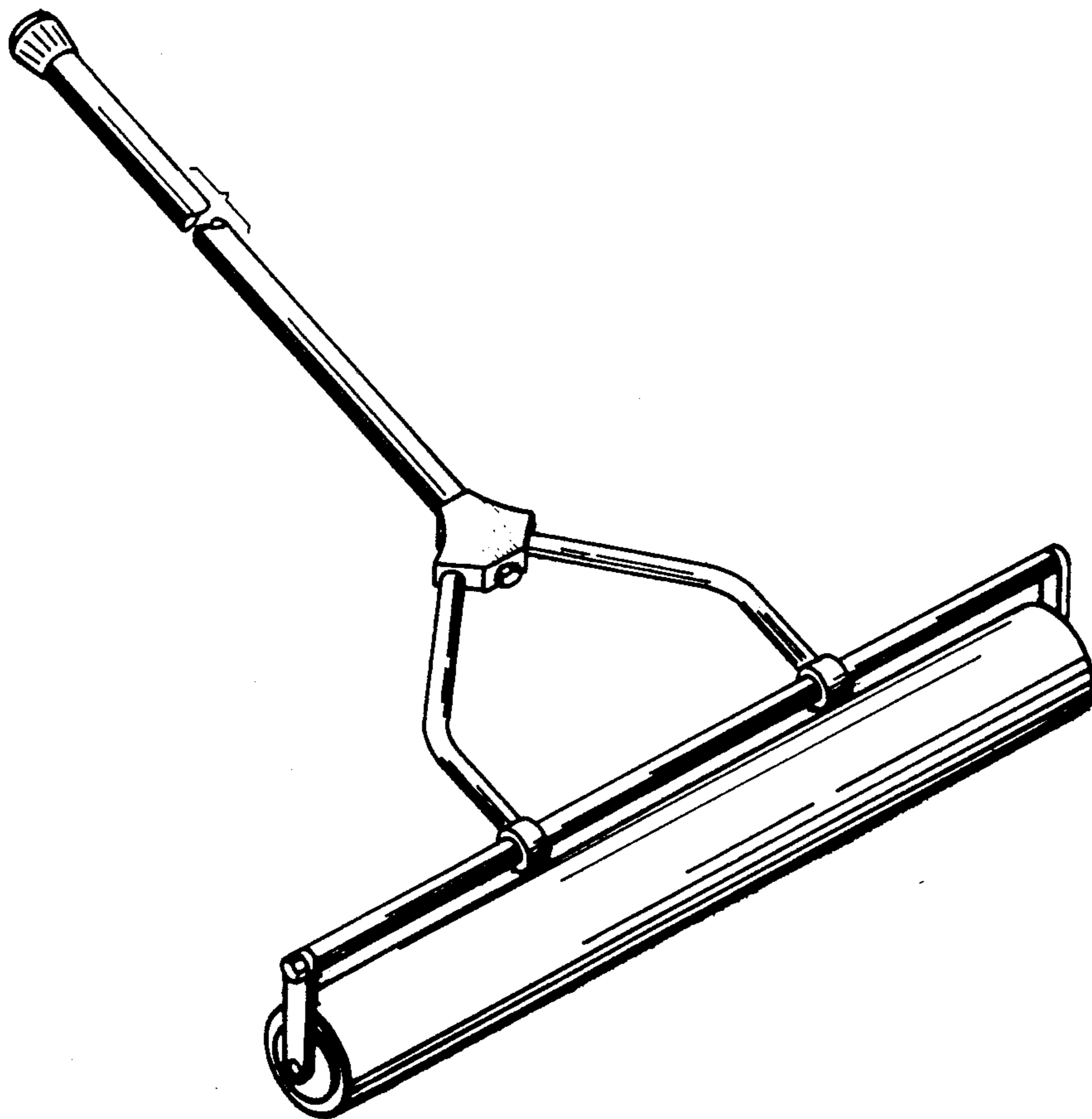
Primary Examiner—Wallace R. Burke
Assistant Examiner—Catherine Kemper
Attorney, Agent, or Firm—Merrill F. Steward

[57] **CLAIM**

The ornamental design for a roller for removing water from tennis courts, golf greens and the like, substantially as shown and described.

DESCRIPTION

FIG. 1 is a perspective view of a roller for removing water from tennis courts, golf greens and the like showing my new design;
FIG. 2 is an end elevational view, taken from the handle end thereof;
FIG. 3 is a side elevational view, the opposite side being a mirror image thereof; and
FIG. 4 is a top plan view thereof.
The handle portion has been shown fragmentarily in FIG. 1 for convenience of illustration.



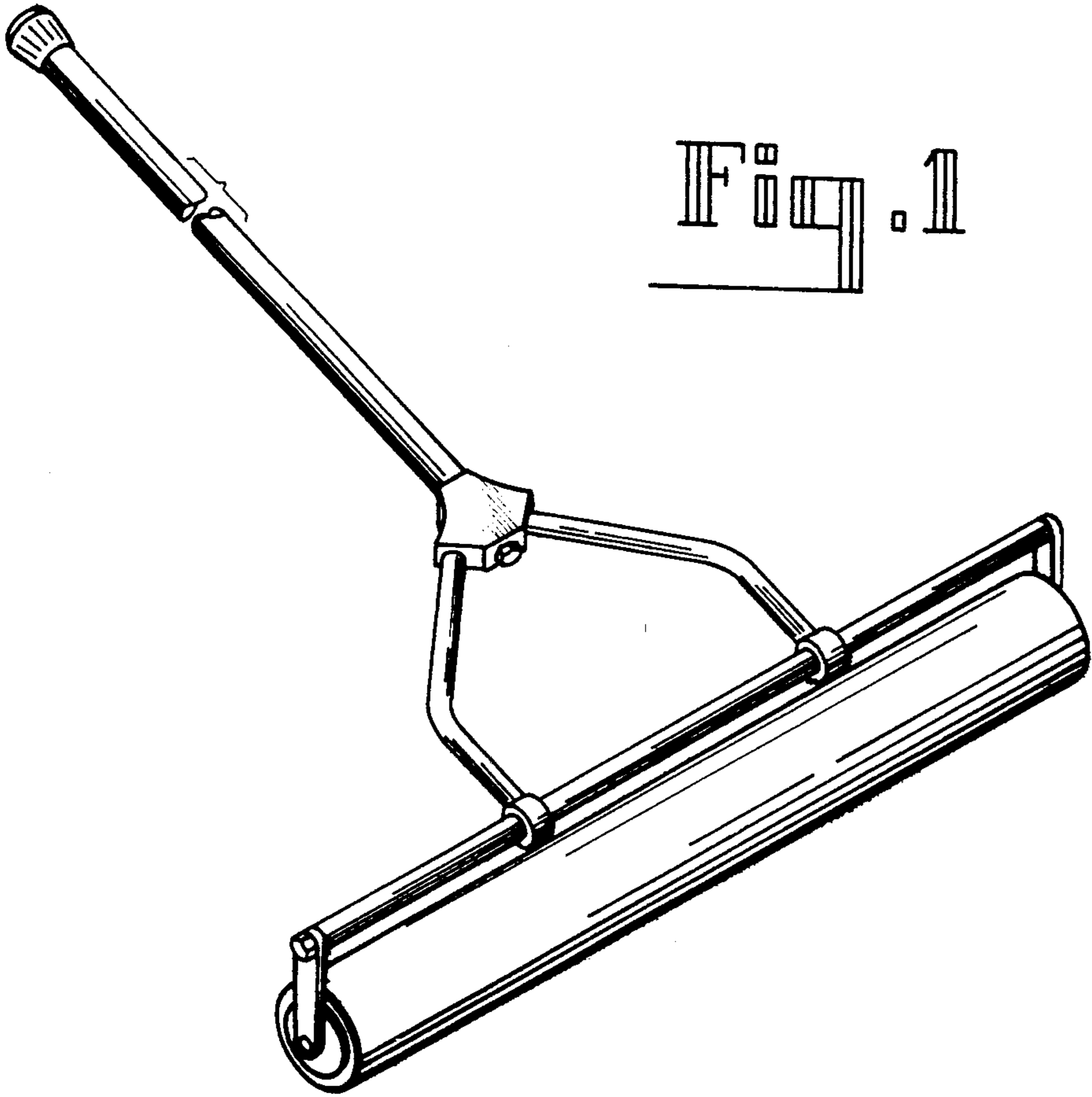


Fig. 1

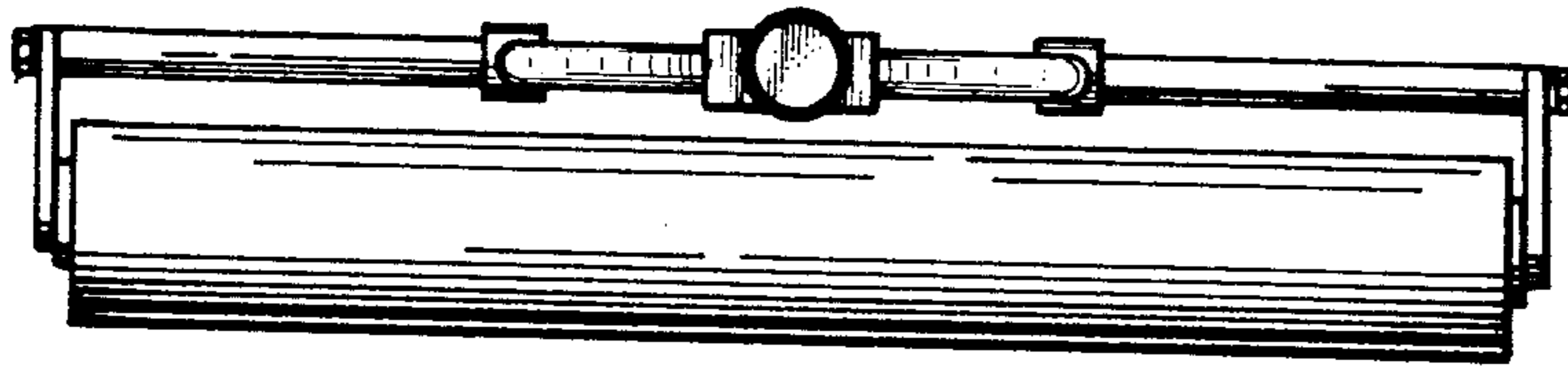


Fig. 2

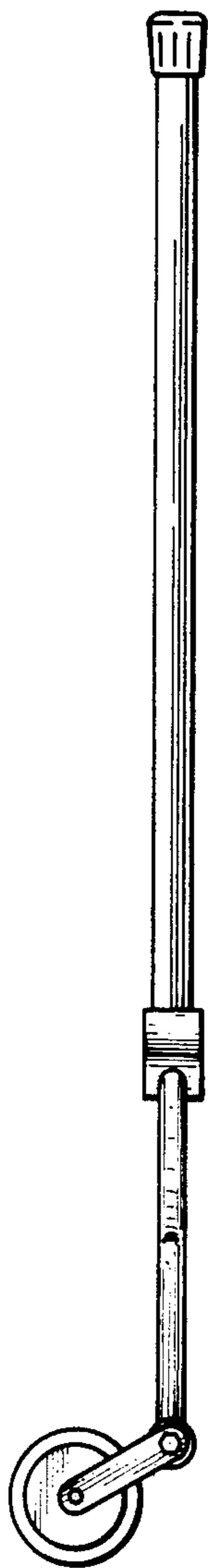


Fig. 3

Fig. 4

