

[54] DISPLAY RACK FOR TOOL SET

[75] Inventor: Hugh T. Greenlee, Gates Mills, Ohio

[73] Assignee: The Wright Tool & Forge Co.,
Barberton, Ohio

[**] Term: 14 Years

[21] Appl. No.: 676,287

[22] Filed: Apr. 12, 1976

[51] Int. Cl. D20-02

[52] U.S. Cl. D6/114

[58] Field of Search D6/85, 114, 116, 117,
D6/118, 132, 137, 157, 181, 185, 186, 188,
189; 211/13, 40, 87, 90

[56] References Cited

U.S. PATENT DOCUMENTS

D. 238,229 12/1975 Touchett et al. D6/114

Primary Examiner—Wallace R. Burke

Assistant Examiner—B. J. Bullock

Attorney, Agent, or Firm—Richard M. Howell

[57] CLAIM

The ornamental design for a display rack for tool set, is shown and described.

DESCRIPTION

FIG. 1 is a perspective view of a display rack for tool sets embodying my new design;
FIG. 2 is an exploded perspective view of FIG. 1;
FIG. 3 is a top plan view of FIG. 1;
FIG. 4 is a front elevational view of FIG. 1;
FIG. 5 is a side elevational view of FIG. 1;
FIG. 6 is a sectional view taken on line 6—6 of FIG. 4;
FIG. 7 is an enlarged sectional view taken on line 7—7 of FIG. 4, shown broken away for ease of illustration;
FIG. 8 is an enlarged fragmentary sectional view taken on line 8—8 of FIG. 4;
FIG. 9 is a perspective view of a second embodiment of the design of FIG. 1;
FIG. 10 is an enlarged fragmentary sectional view taken on line 10—10 of FIG. 9;
FIG. 11 is a perspective view of a third embodiment of the design of FIG. 1.

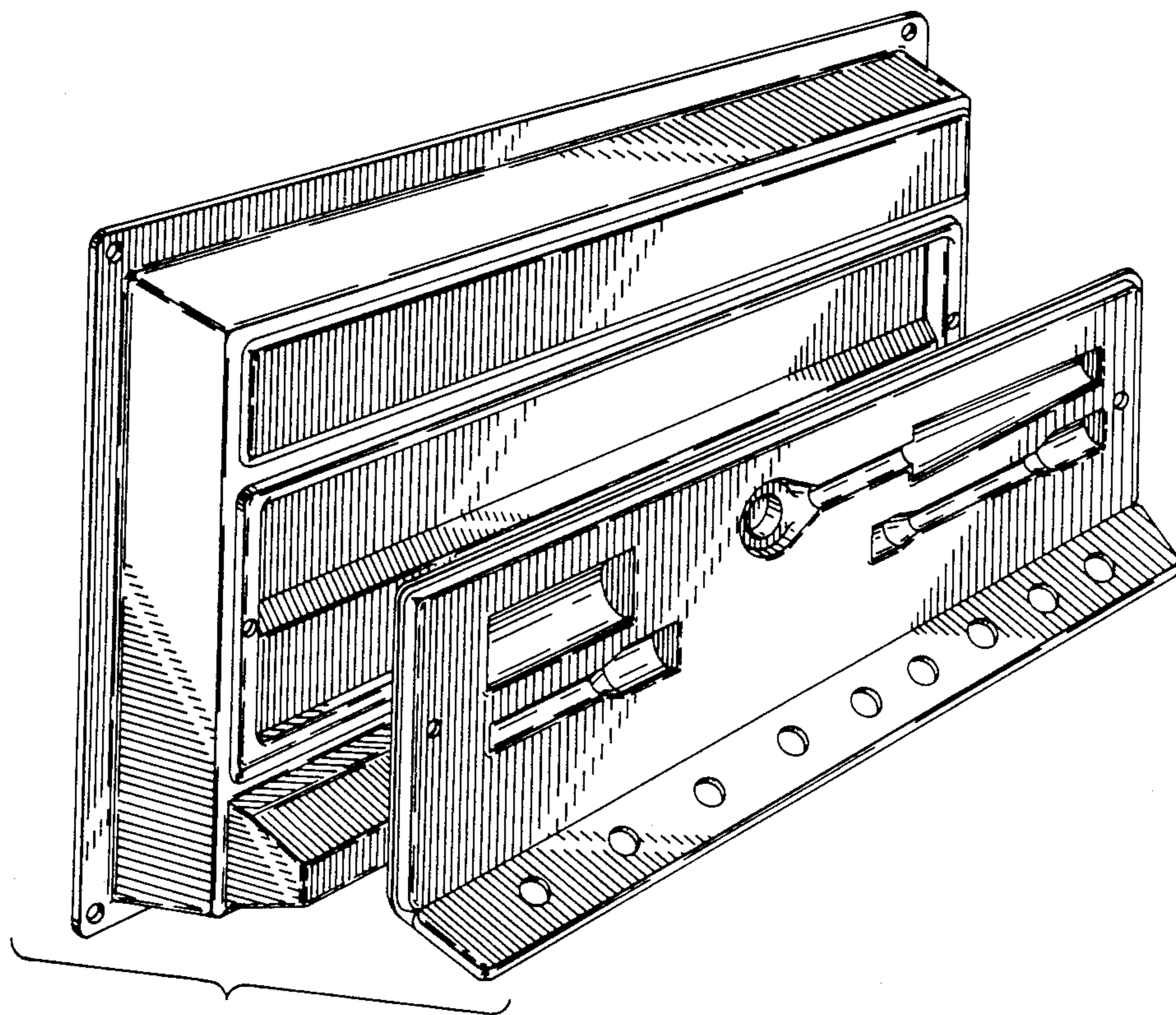


FIG. 1

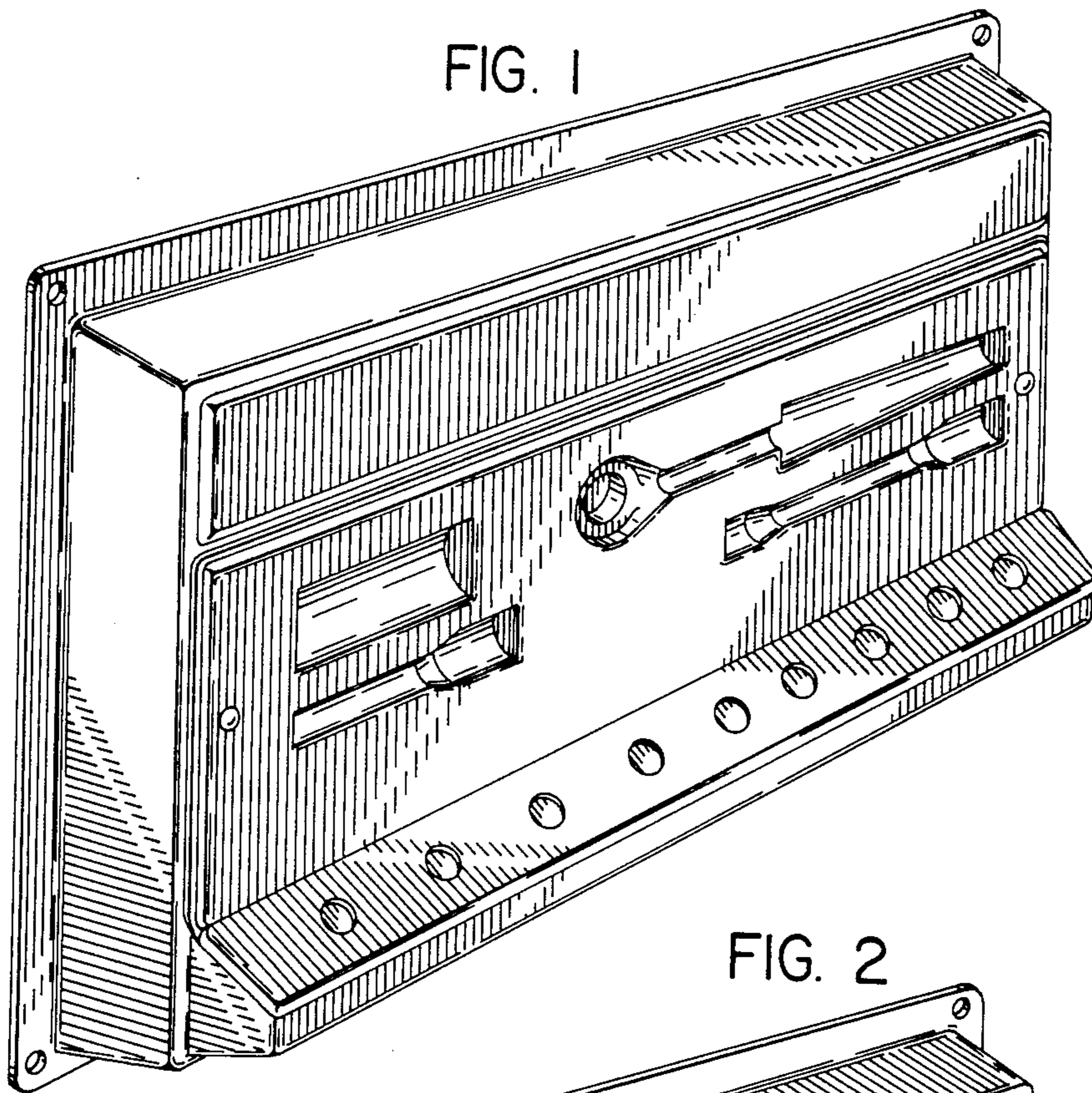


FIG. 2

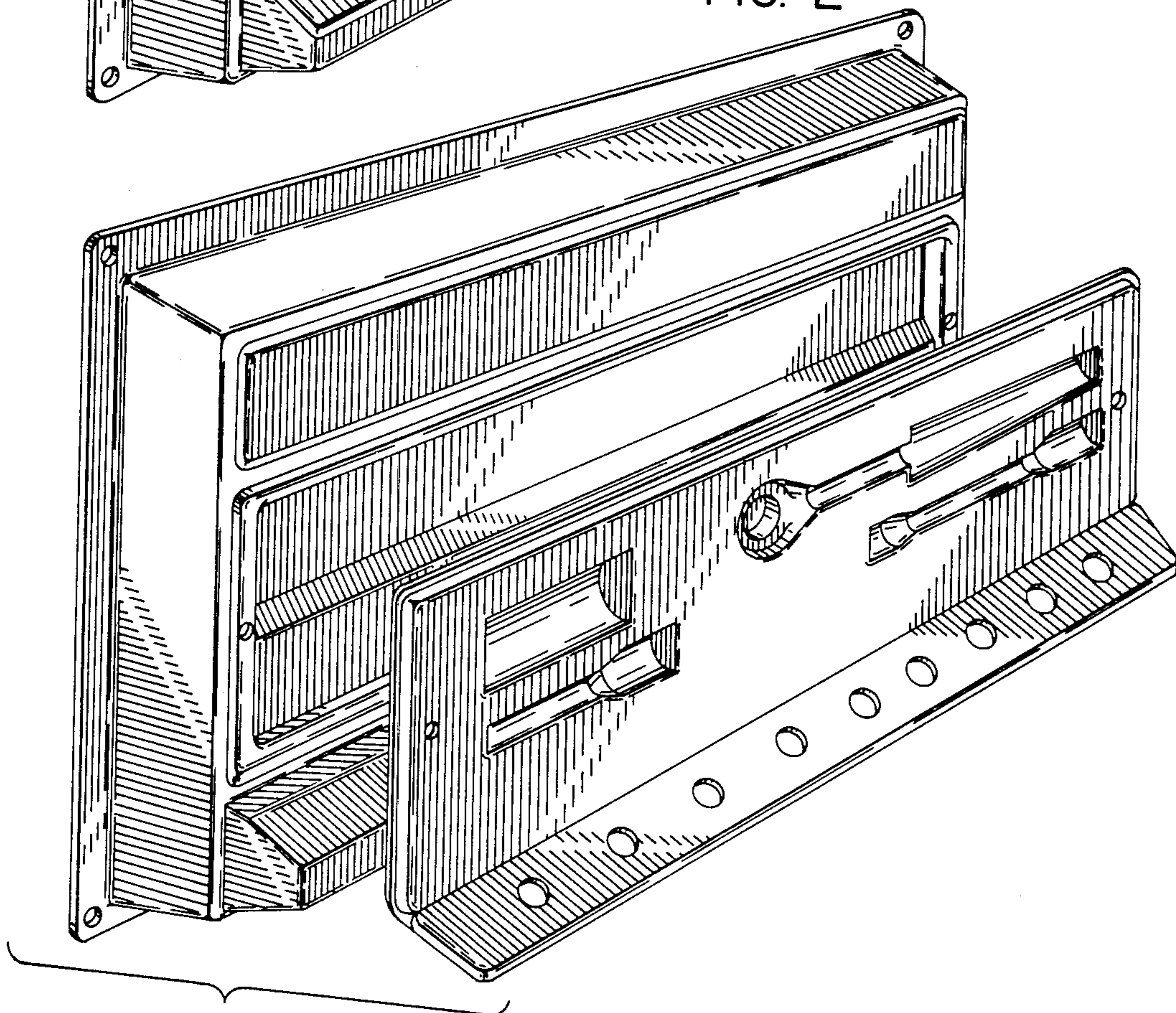
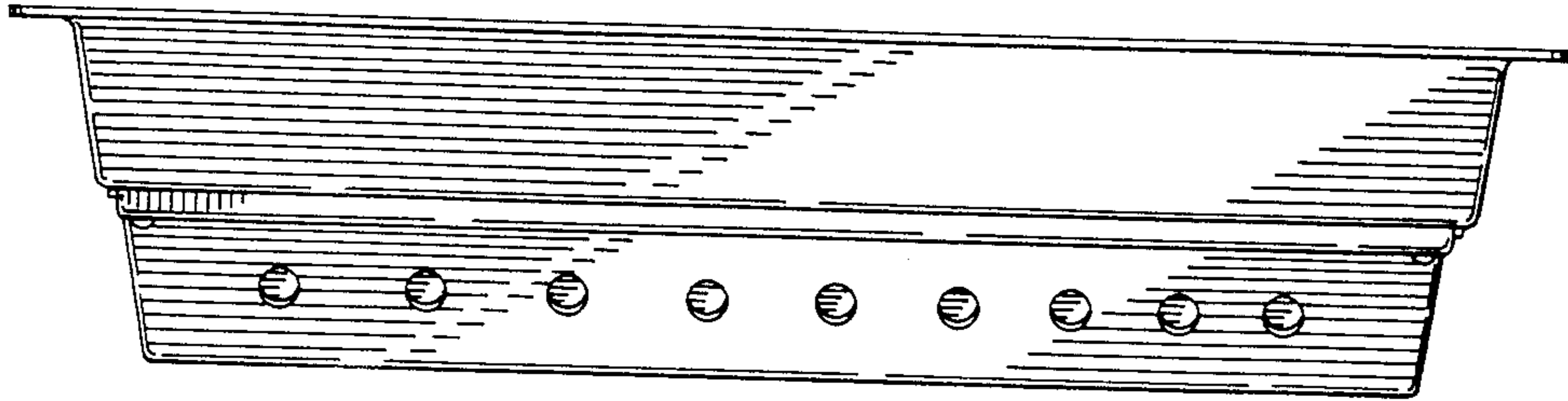


FIG. 3



6 FIG. 4

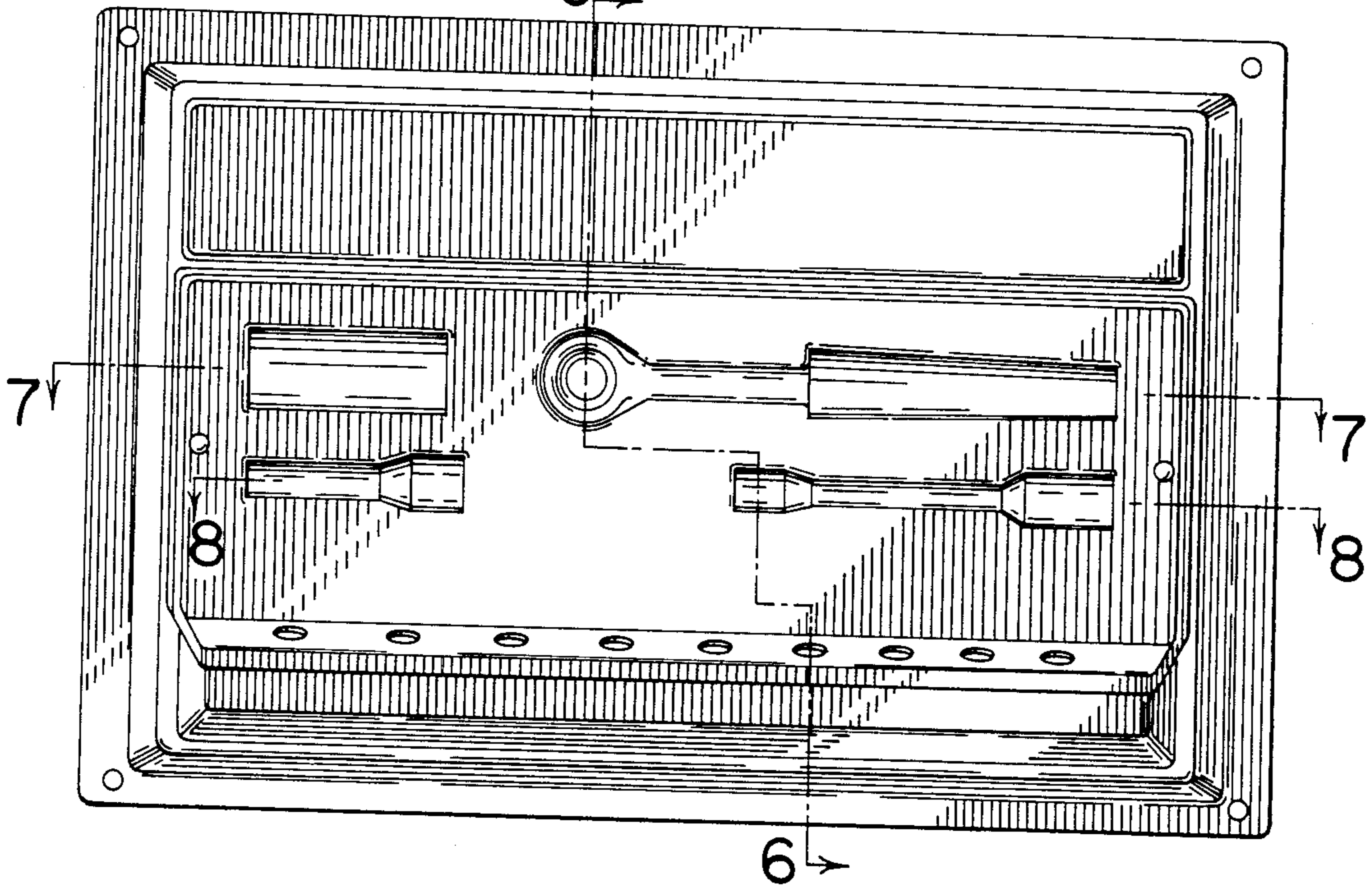


FIG. 10

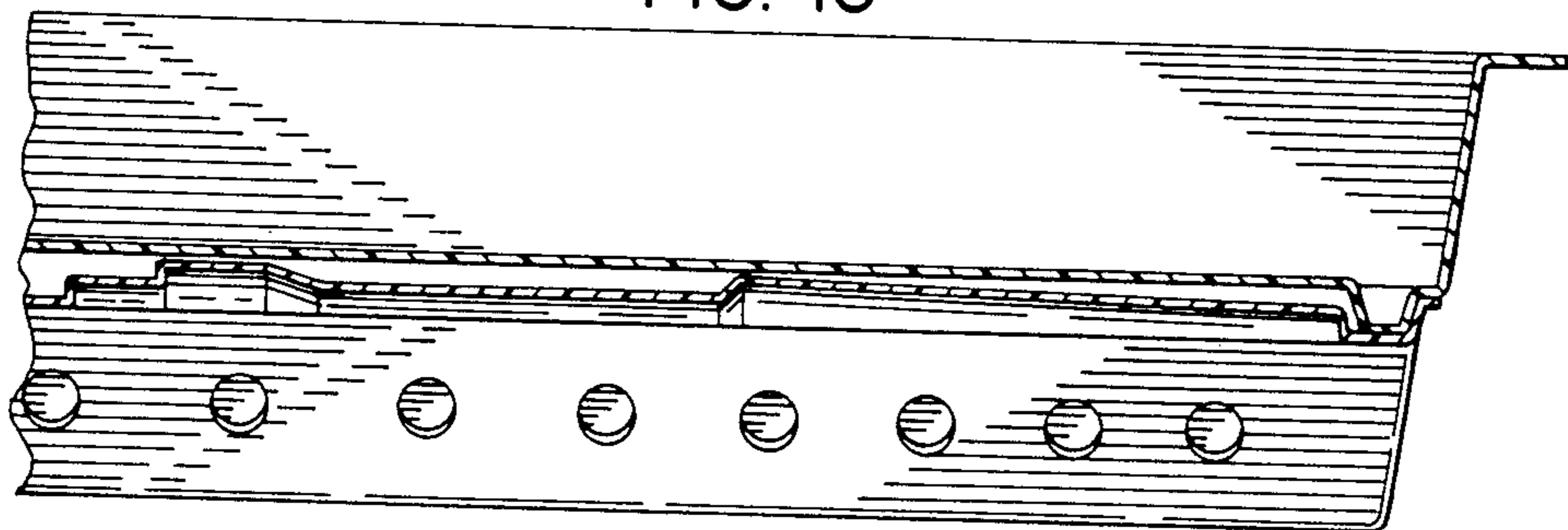


FIG. 5

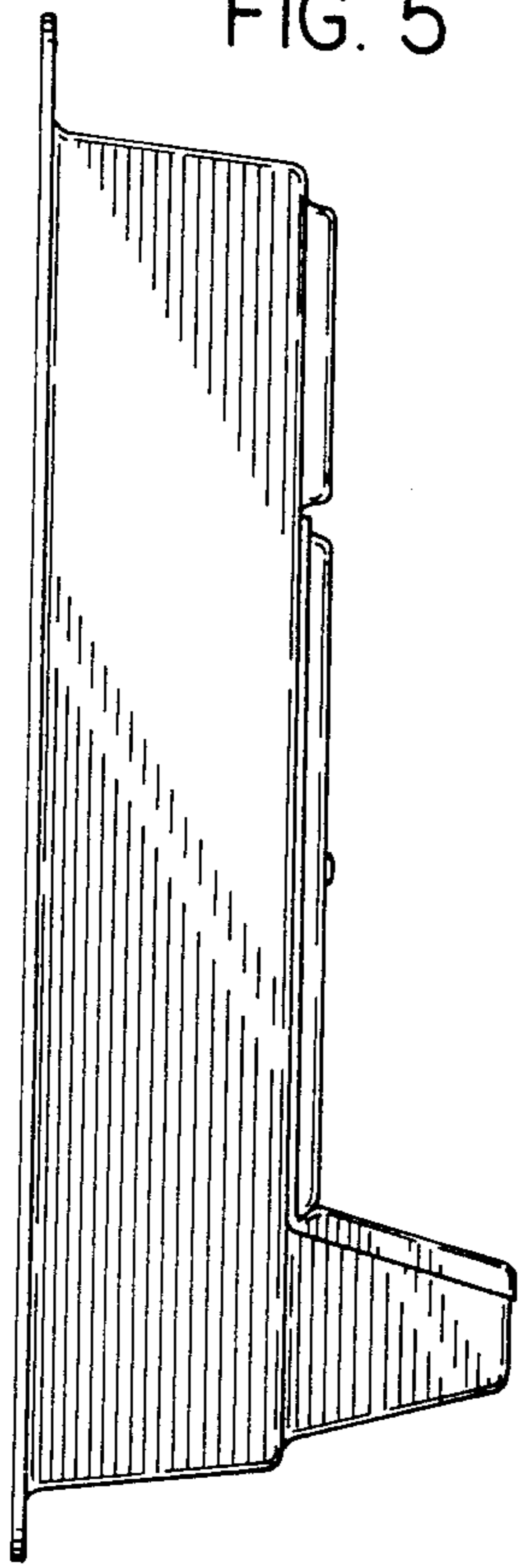


FIG. 6

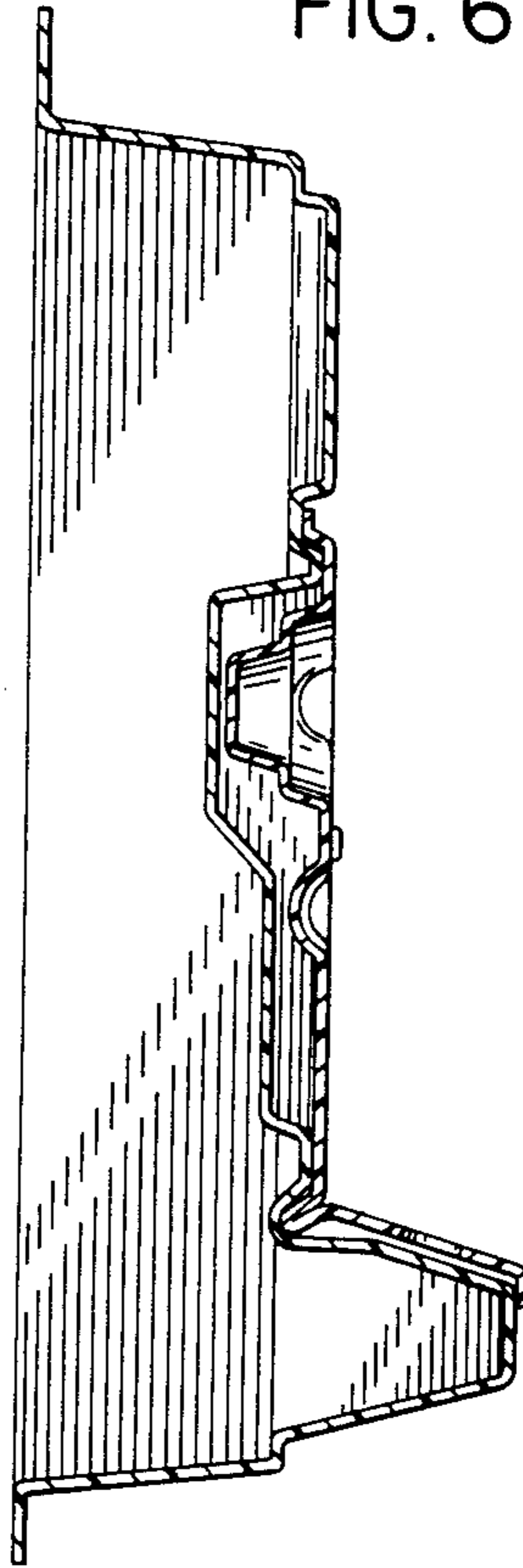


FIG. 7

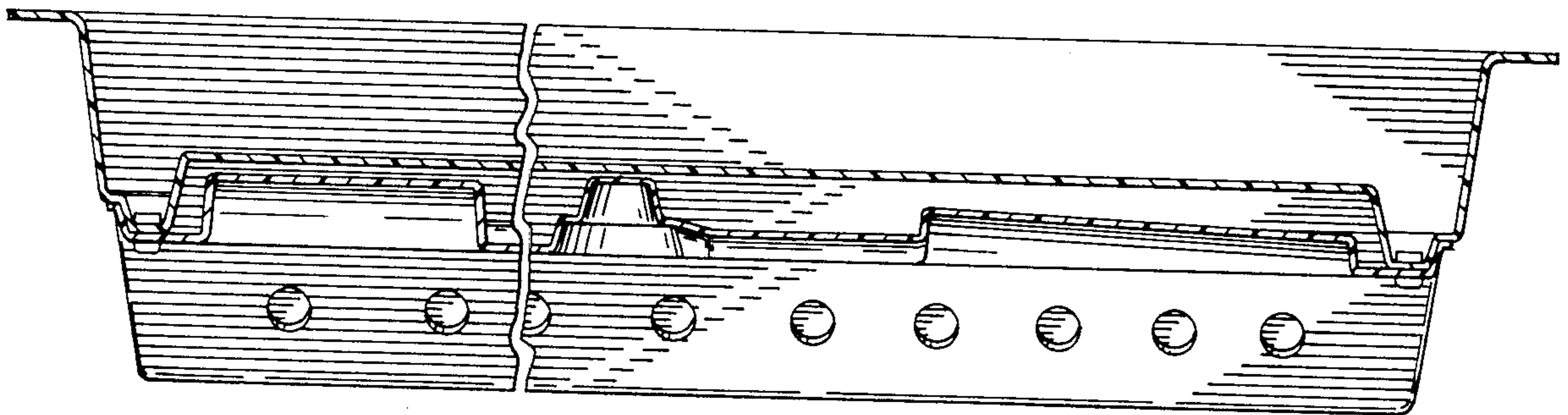


FIG. 8

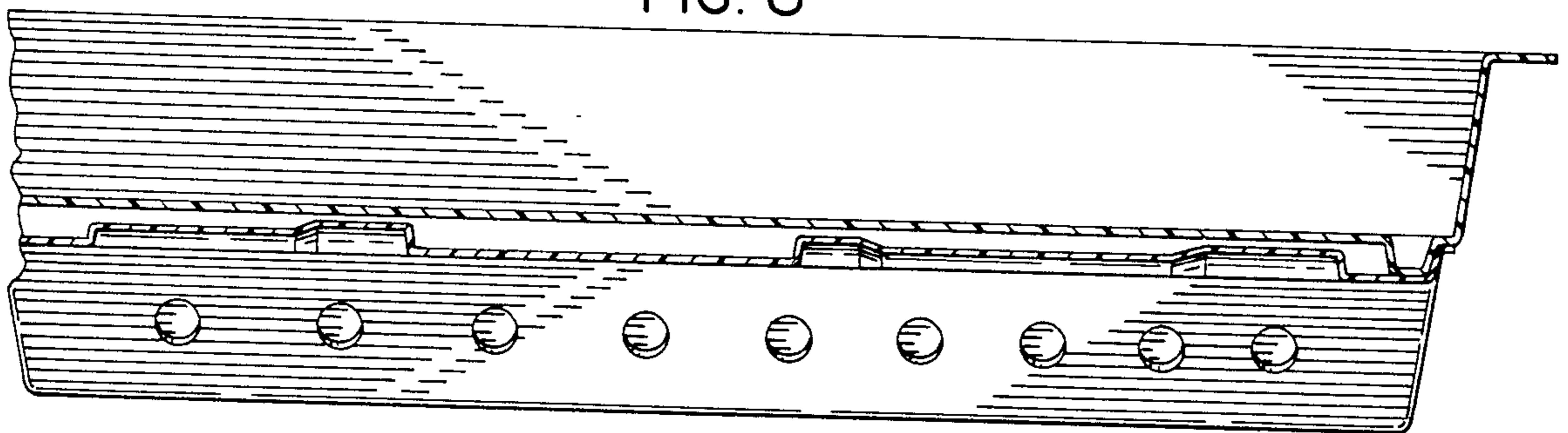


FIG. 9

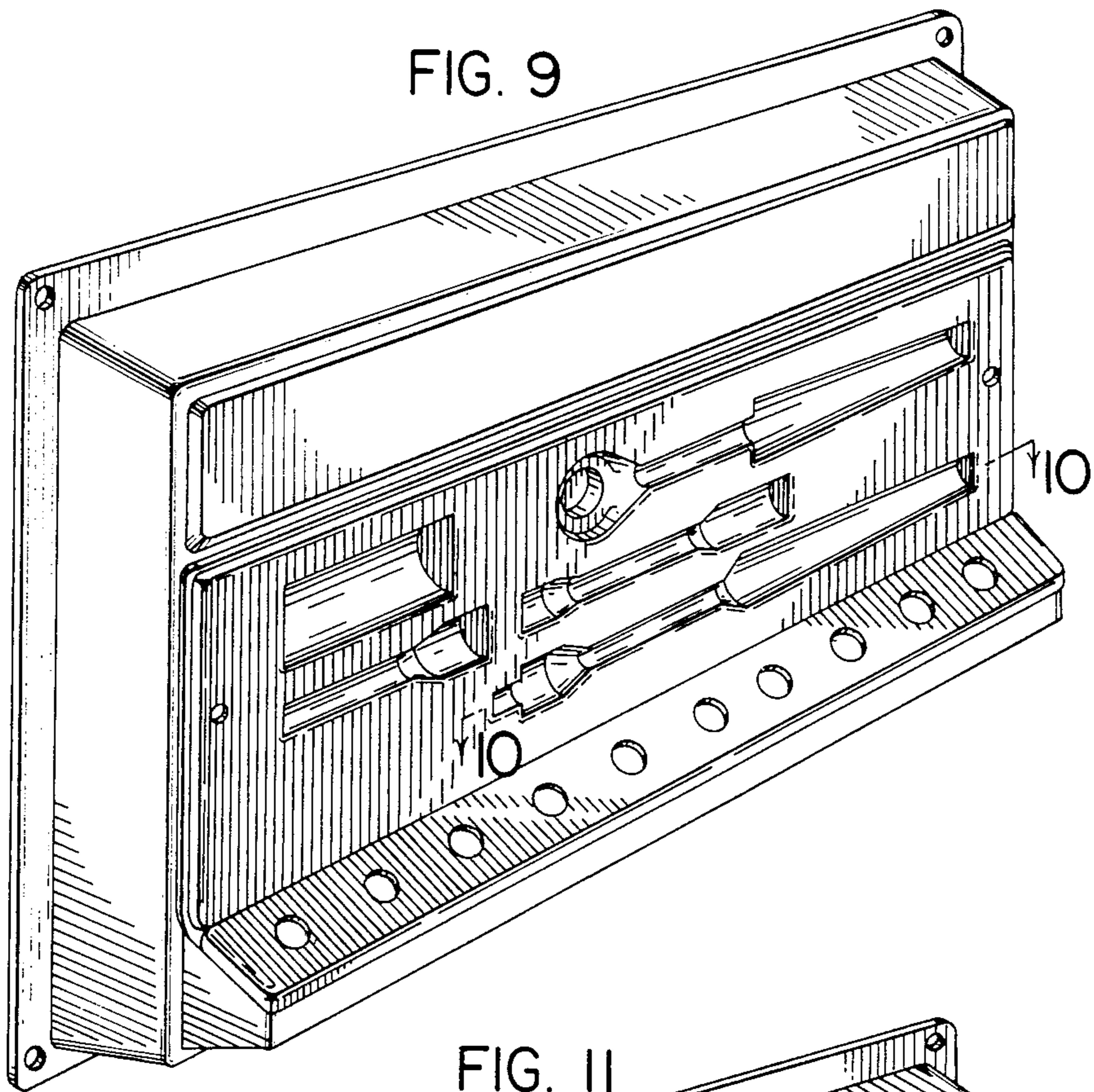


FIG. II

