

[54] AUTOMOBILE CONSOLE TRAY

[76] Inventor: Wallace Jensen, 4900 S. 5200 W., Salt Lake City, Utah 84118

[\*\*] Term: 14 Years

[21] Appl. No.: 539,815

[22] Filed: Jan. 9, 1975

[51] Int. Cl. .... D12-16

[52] U.S. Cl. .... D87/1 R

[58] Field of Search ..... D87/1 R; D12/155; D7/70, 71; D8/259

[56] References Cited

U.S. PATENT DOCUMENTS

D. 163,954	7/1951	Kulwin .....	D12/155
D. 165,111	11/1951	Riemann .....	D87/1 R
D. 223,681	5/1972	Whitaker .....	D87/1 R

OTHER PUBLICATIONS

Bainbridge, Kimpton & Haupt, Inc., 1962 Cat., p. 124, item lower right corner.

Primary Examiner—Joel Stearman  
Assistant Examiner—George P. Word  
Attorney, Agent, or Firm—Kay S. Cornaby

[57] CLAIM

The ornamental design for a automobile console tray, substantially as shown and described.

DESCRIPTION

FIG. 1 is a perspective view of an automobile console tray showing my new design;  
FIG. 2 is a top plan view;  
FIG. 3 a front elevational view;  
FIG. 4 is a left side elevational view;  
FIG. 5 is a right side elevational view;  
FIG. 6 is a rear elevational view;  
FIG. 7 is a cross-sectional view taken along line 7-7 of FIG. 2;  
FIG. 8 is a cross-sectional view taken along line 8-8 of FIG. 2;  
FIG. 9 is a cross-sectional view taken along line 9-9 of FIG. 2; and  
FIG. 10 is a cross-sectional view taken along line 10-10 of FIG. 2.

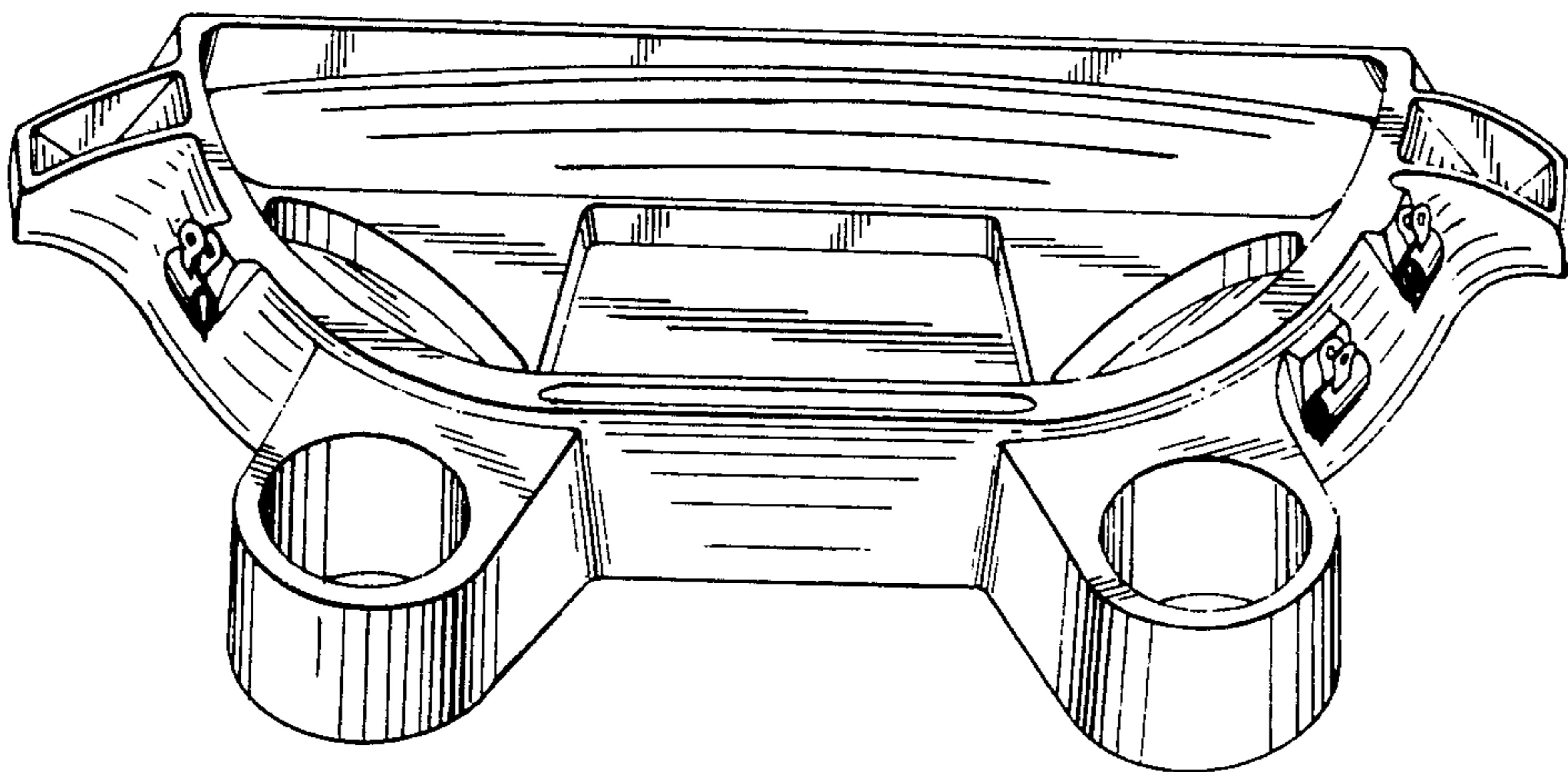


FIG. 1.

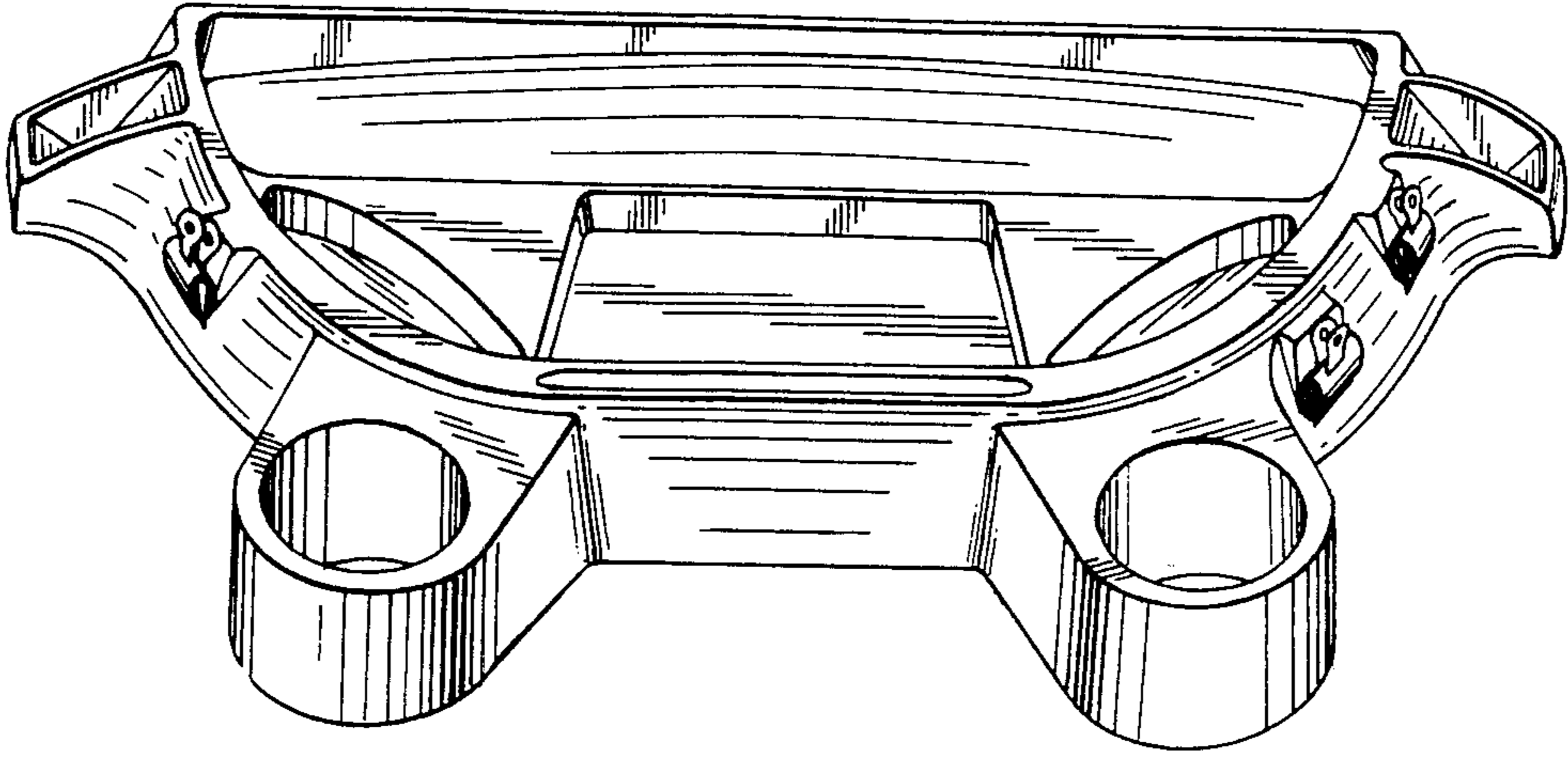


FIG. 2.

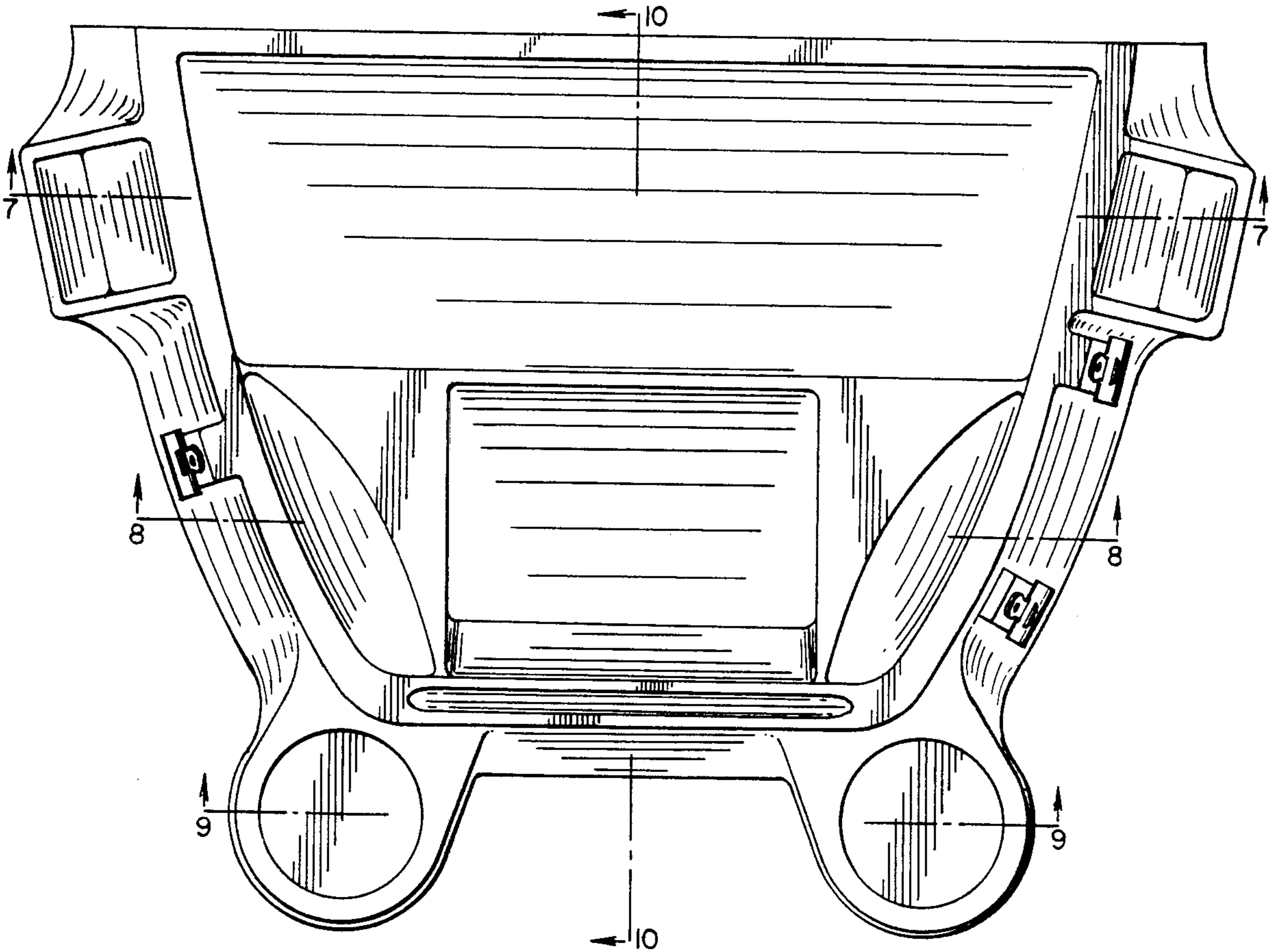


FIG. 3.

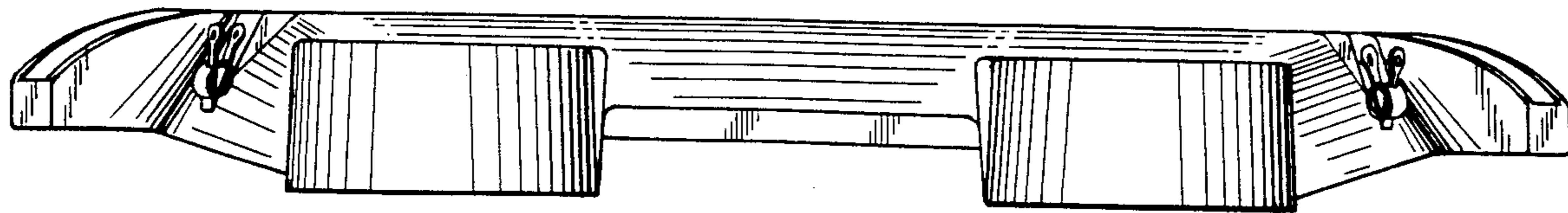


FIG. 4.

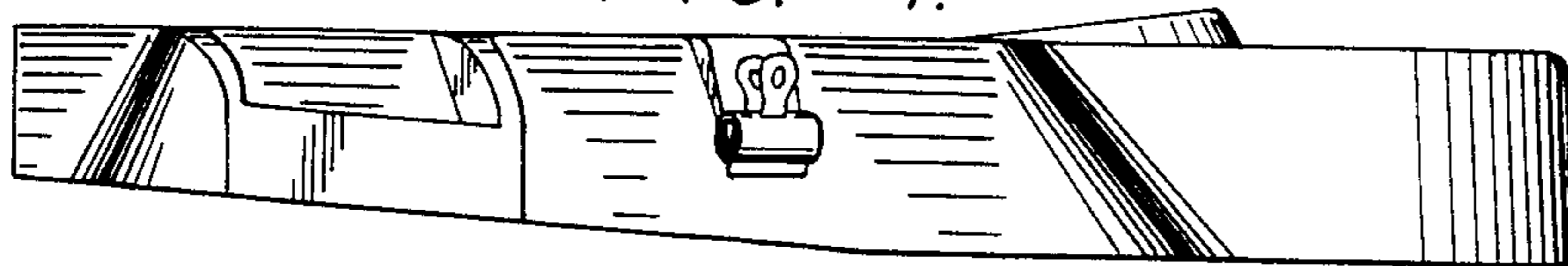


FIG. 5.



FIG. 6.

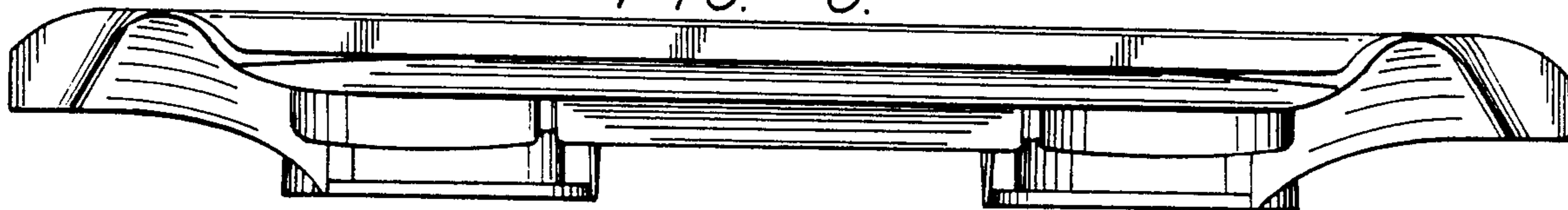


FIG. 7.

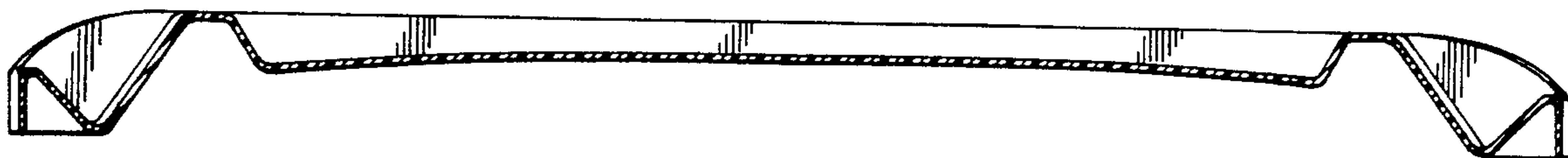


FIG. 8.

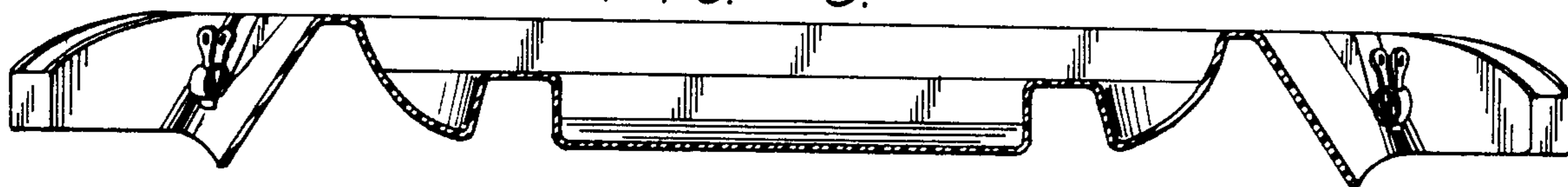


FIG. 9.

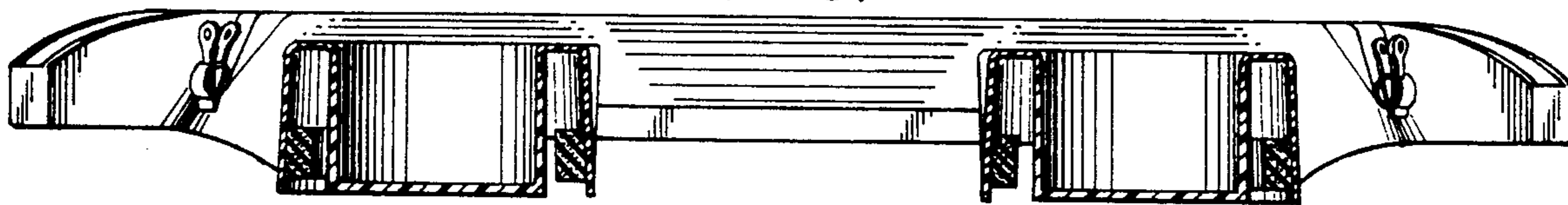


FIG. 10.

