

[54] OPTICAL REFRACTION TESTING INSTRUMENT

[75] Inventors: John E. Toth; Victor L. Copeland, both of San Diego County, Calif.

[73] Assignee: Nerthus, Inc., Saratoga, Calif.

[**] Term: 3½ Years

[21] Appl. No.: 565,110

[22] Filed: Apr. 4, 1975

[51] Int. Cl. D24-01

[52] U.S. Cl. D24/8

[58] Field of Search D57/1 E; 351/6, 17, 351/7, 3, 28; D83/12 R

[56] References Cited

U.S. PATENT DOCUMENTS

2,283,769 5/1942 Schwanzel 351/17

3,778,164 12/1973 Walker 351/6
D. 207,675 5/1967 Hermann D57/1 E
D. 212,647 11/1968 Minas D57/1 E
D. 213,918 4/1969 Cohen D57/1 E

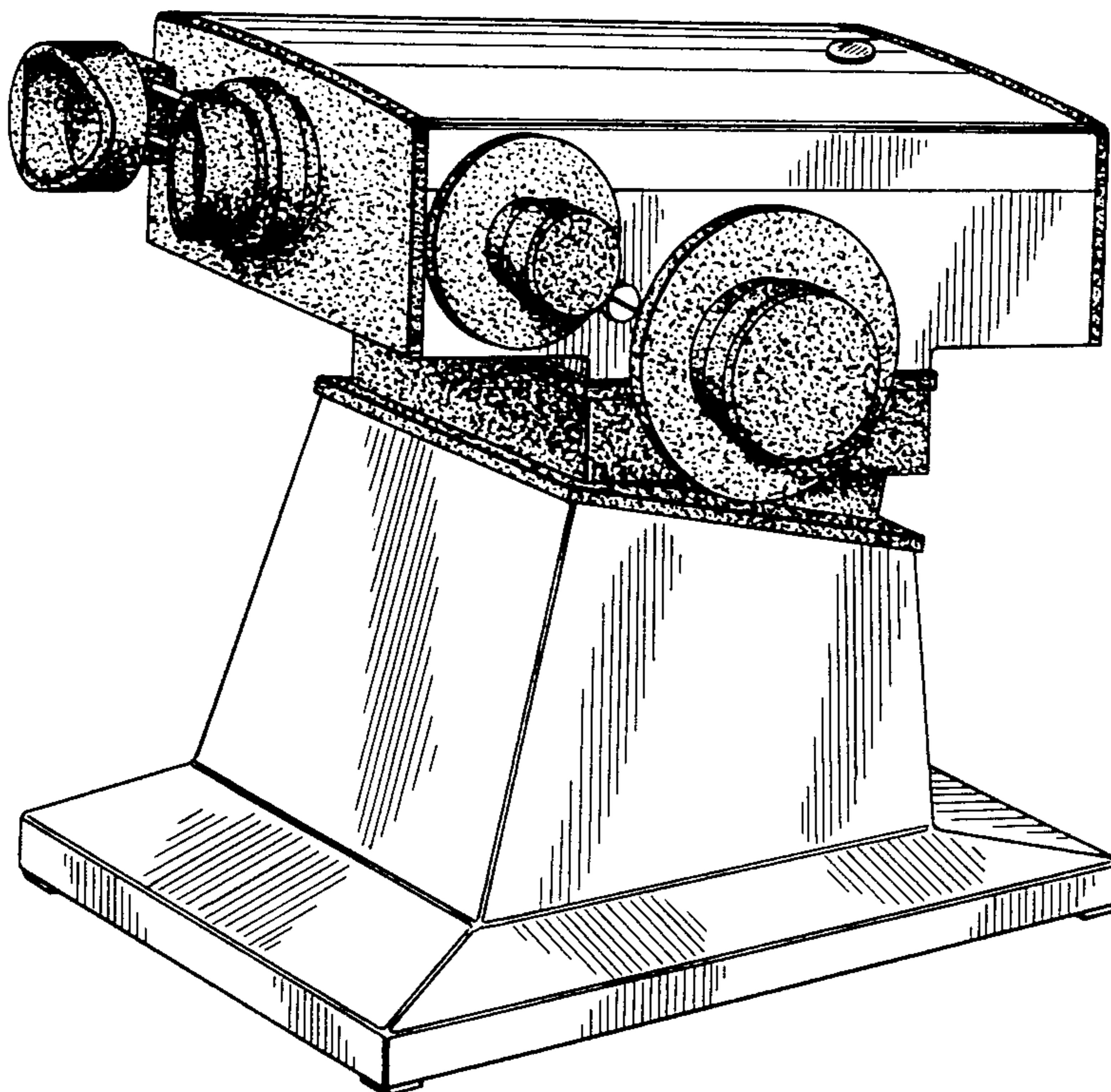
Primary Examiner—Bernard Ansher
Attorney, Agent, or Firm—Carl R. Brown

[57] CLAIM

The ornamental design for an optical refraction testing instrument, substantially as shown.

DESCRIPTION

FIG. 1 is a perspective view of an optical refraction testing instrument, showing my new design.
FIG. 2 is a front elevational view thereof.
FIG. 3 is a top plan view thereof.
FIG. 4 is a side elevational view as taken from the left hand side of FIG. 2.
FIG. 5 is a bottom plan view thereof.
FIG. 6 is a rear elevational view thereof.



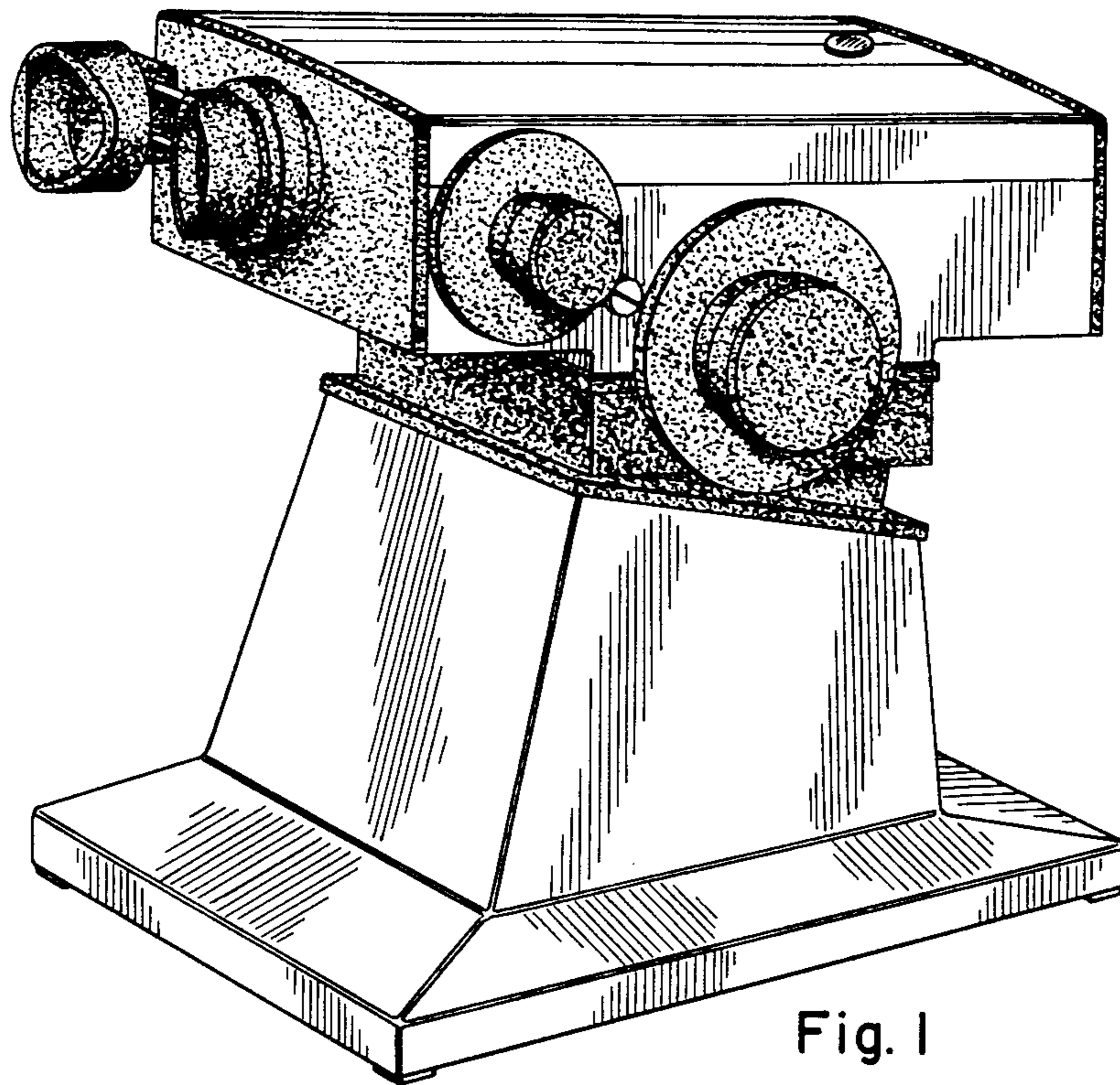


Fig. 1

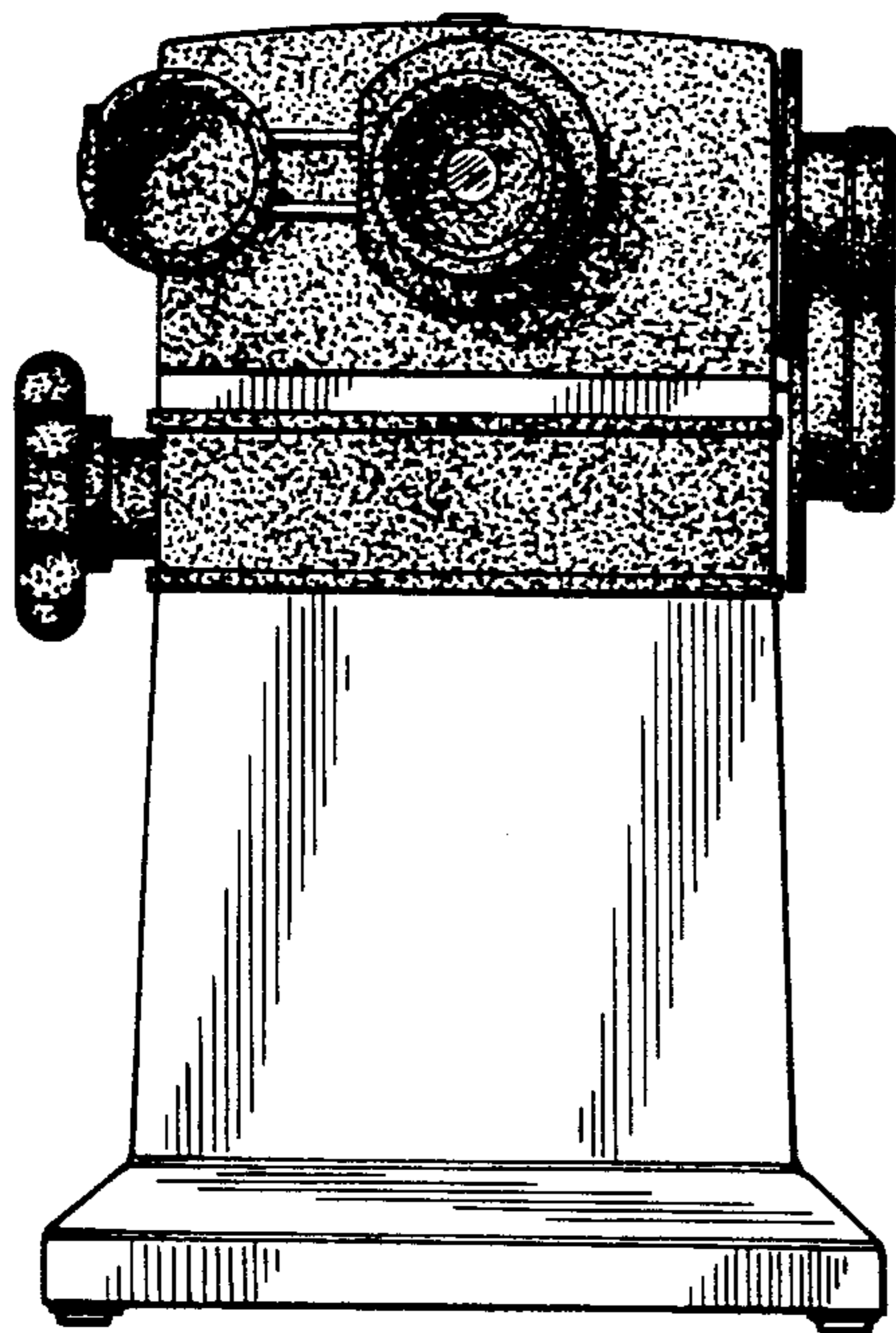


Fig. 2

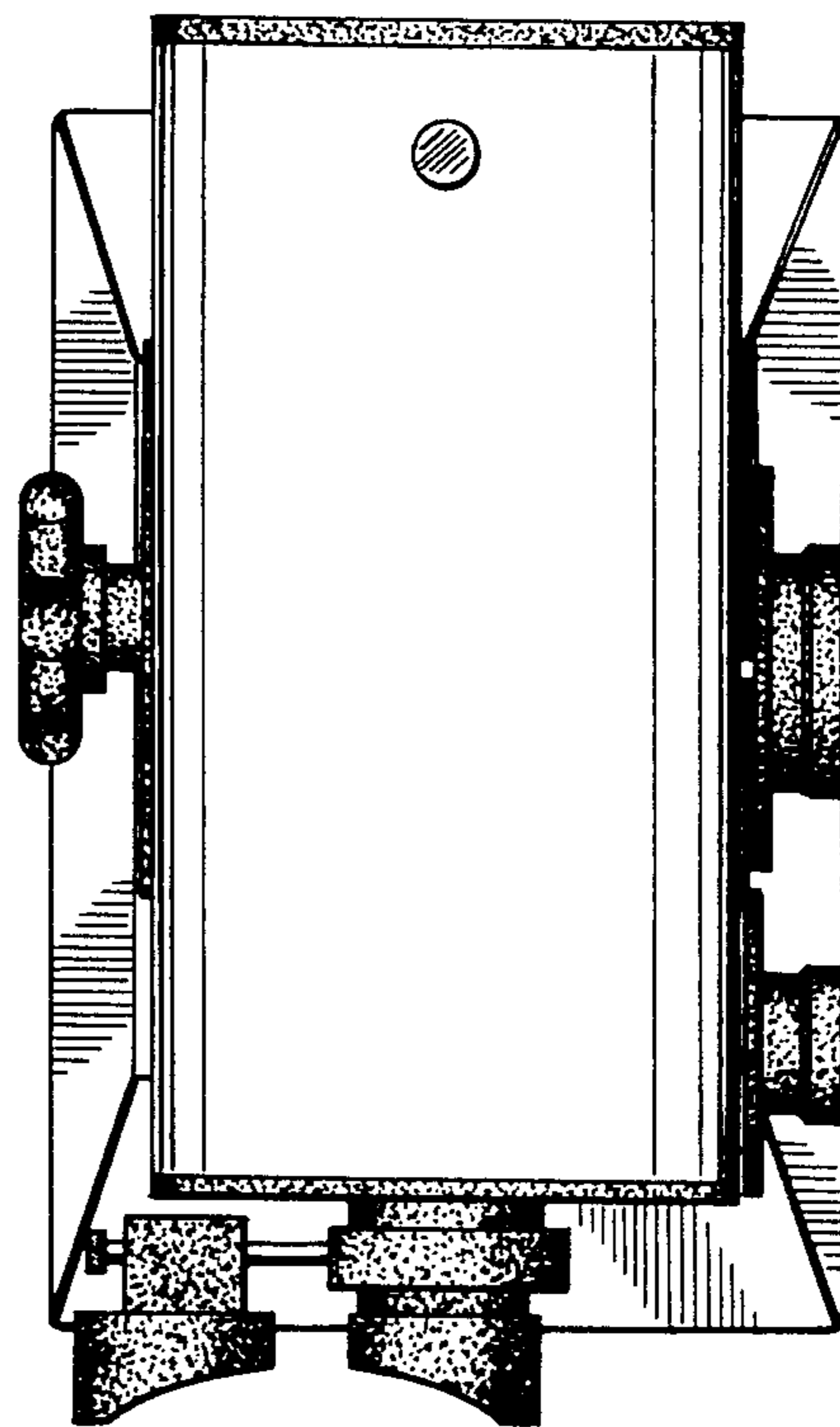


Fig. 3

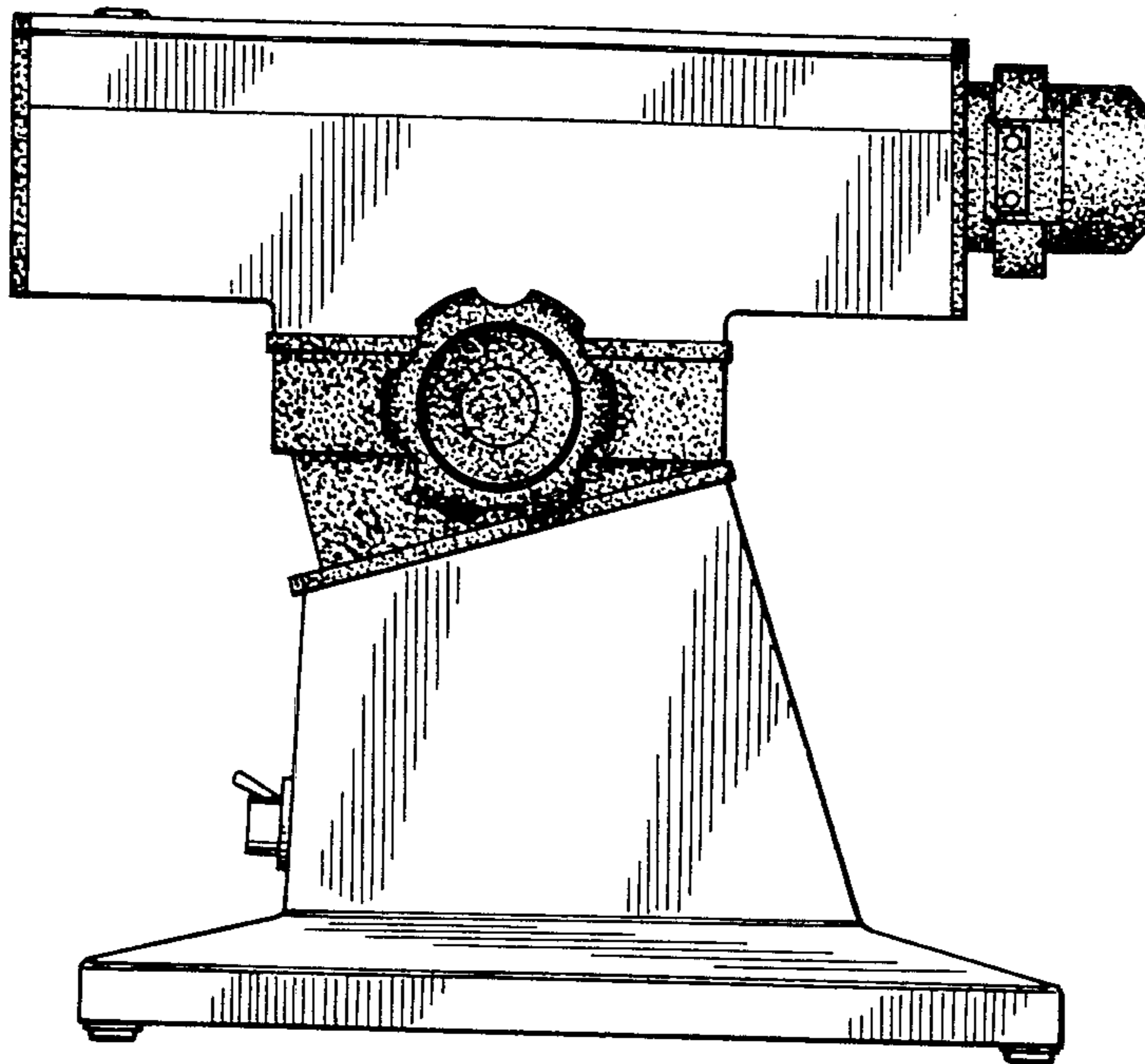


Fig. 4

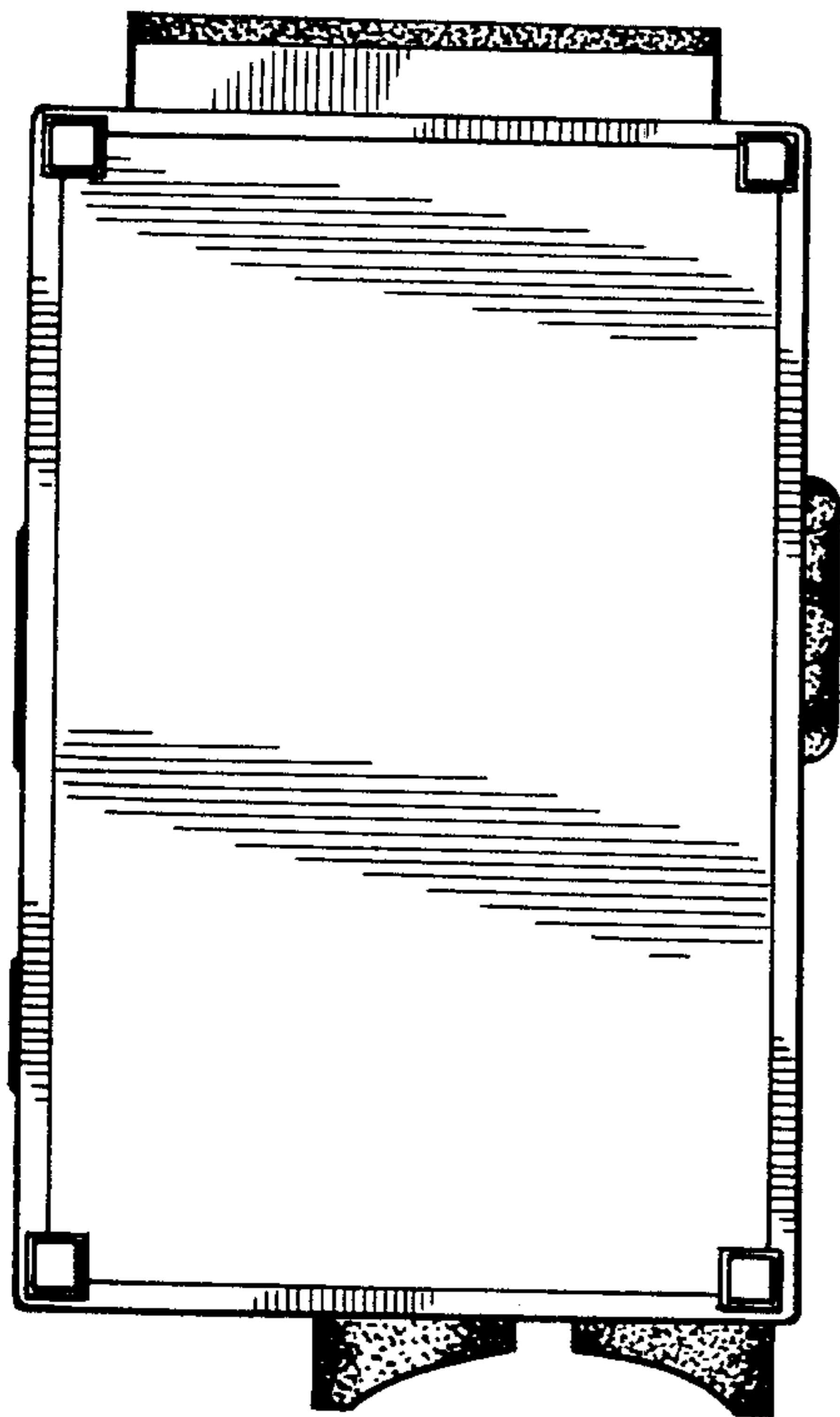


Fig. 5

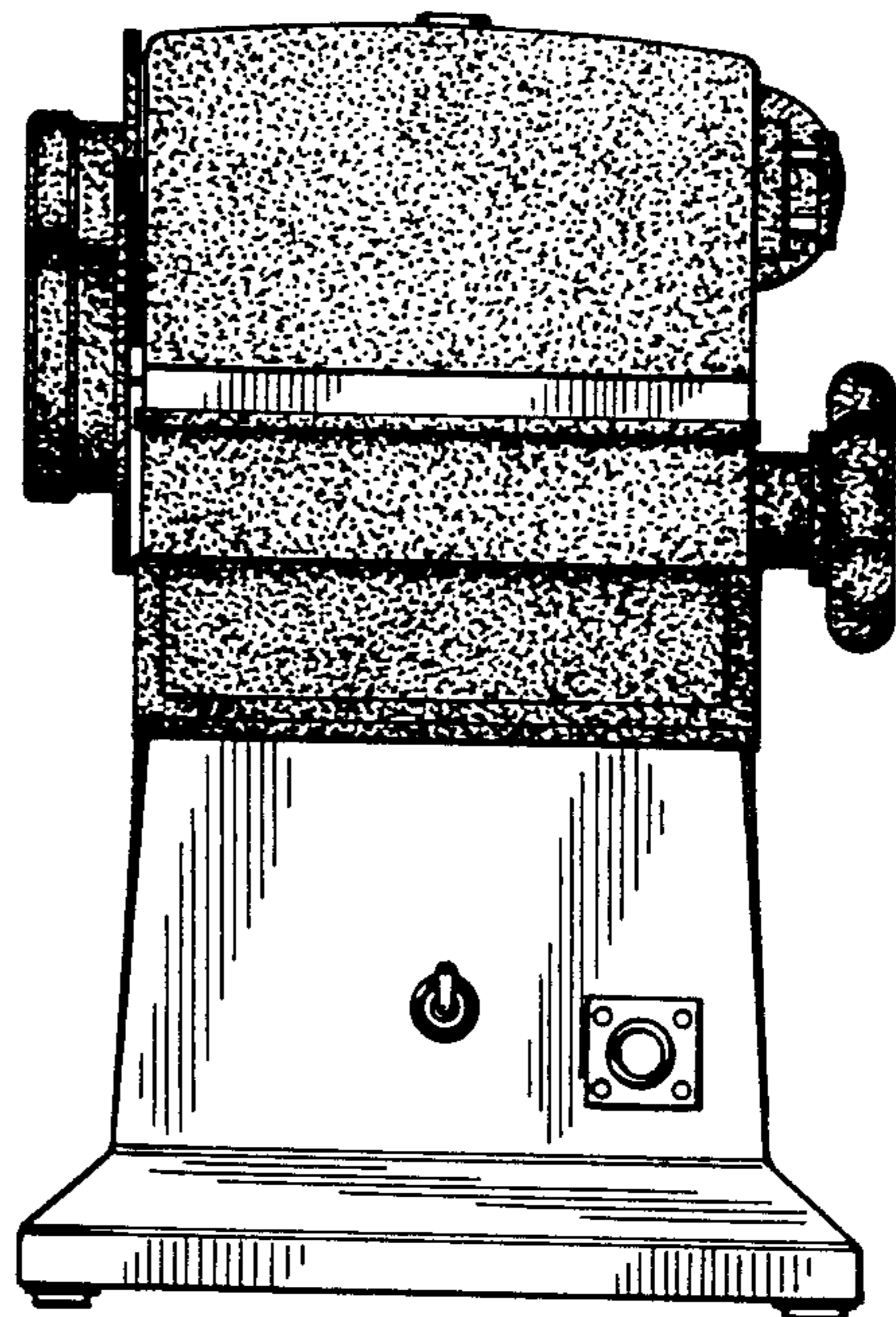


Fig. 6