

[54] MUSIC TUNER

[75] Inventor: Takeshi Ishida, Yokohama, Japan

[73] Assignee: Kabushiki Kaisha Daini Seikosha, Japan

[**] Term: 14 Years

[21] Appl. No.: 586,622

[22] Filed: June 13, 1975

[30] Foreign Application Priority Data

Dec. 13, 1974 Japan 49-43816

[51] Int. Cl. D17-99

[52] U.S. Cl. D56/1 R

[58] Field of Search D56/1 R, 2, 9;
D26/14 L, 5 C; 84/454, 484, DIG. 1, 18, 17;
58/130 E

[56] References Cited

U.S. PATENT DOCUMENTS

2,394,569 2/1946 Strommen 84/454 X

D. 232,559 8/1974 McClare D26/5 C
D. 238,787 2/1976 Ferrara D26/5 C

Primary Examiner—Joel Stearman
Assistant Examiner—Jane E. Corrigan
Attorney, Agent, or Firm—Robert E. Burns

[57] CLAIM

The ornamental design for a music tuner, substantially as shown and described.

DESCRIPTION

FIG. 1 is a front and right side perspective view of a music tuner showing my new design;
FIG. 2 is a front elevational view thereof;
FIG. 3 is a rear elevational view thereof;
FIG. 4 is a top plan view thereof;
FIG. 5 is a left side elevational view thereof;
FIG. 6 is a right side elevational view thereof;
FIG. 7 is a bottom plan view thereof;
FIG. 8 is a cross-sectional view thereof taken along line 8-8 of FIG. 2; and
FIG. 9 is a cross-sectional view thereof taken along line 9-9 of FIG. 2.

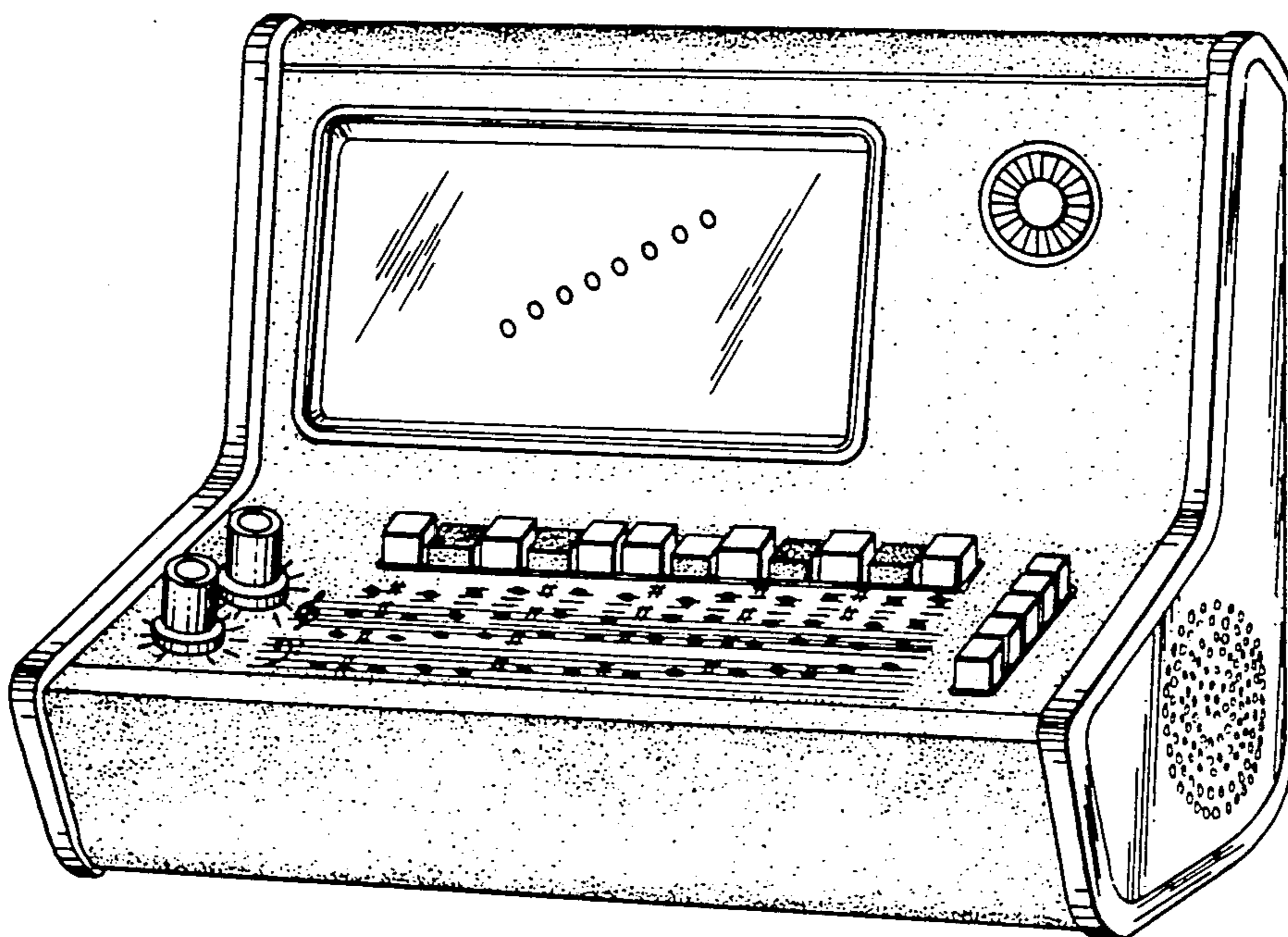
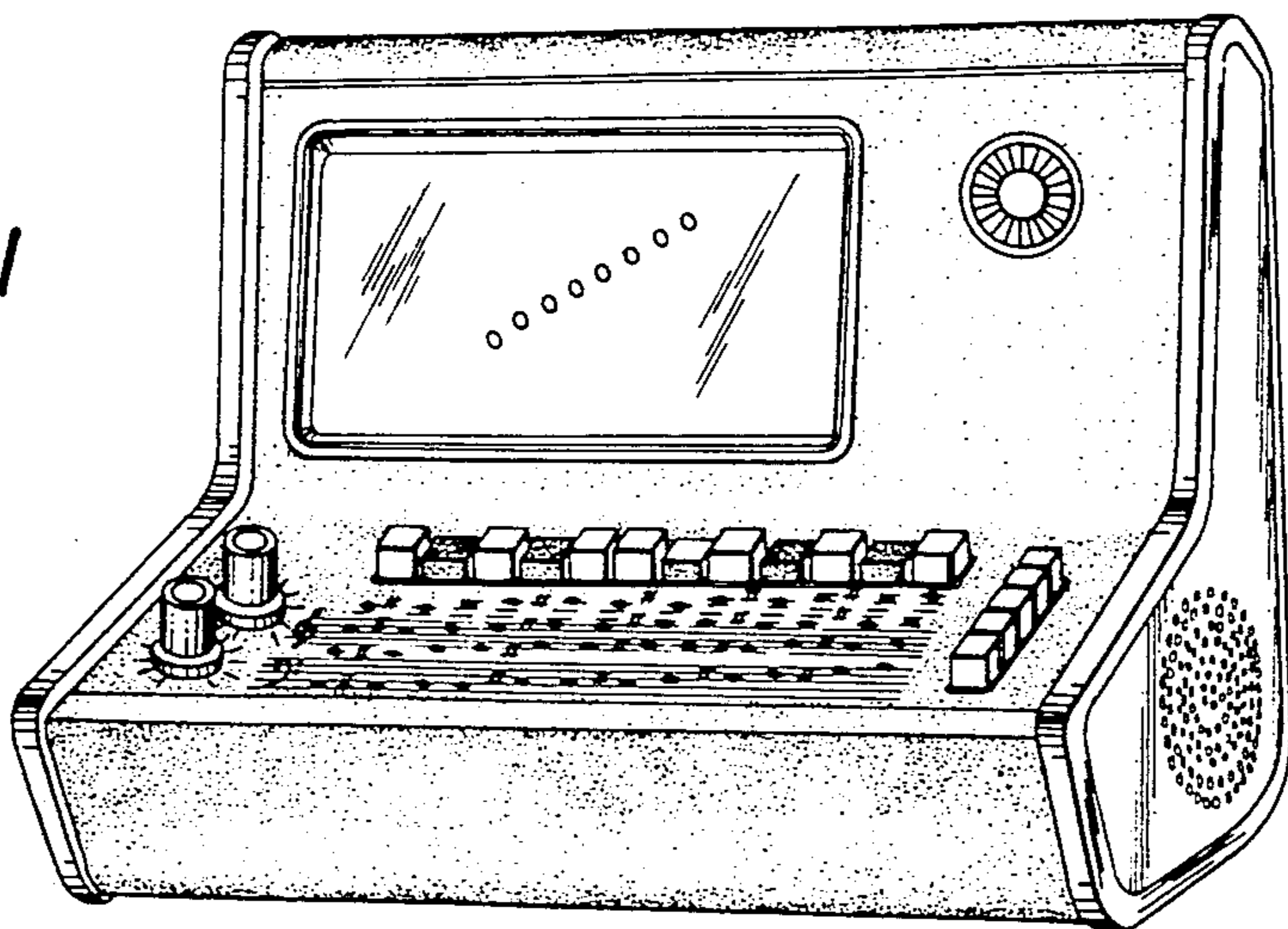
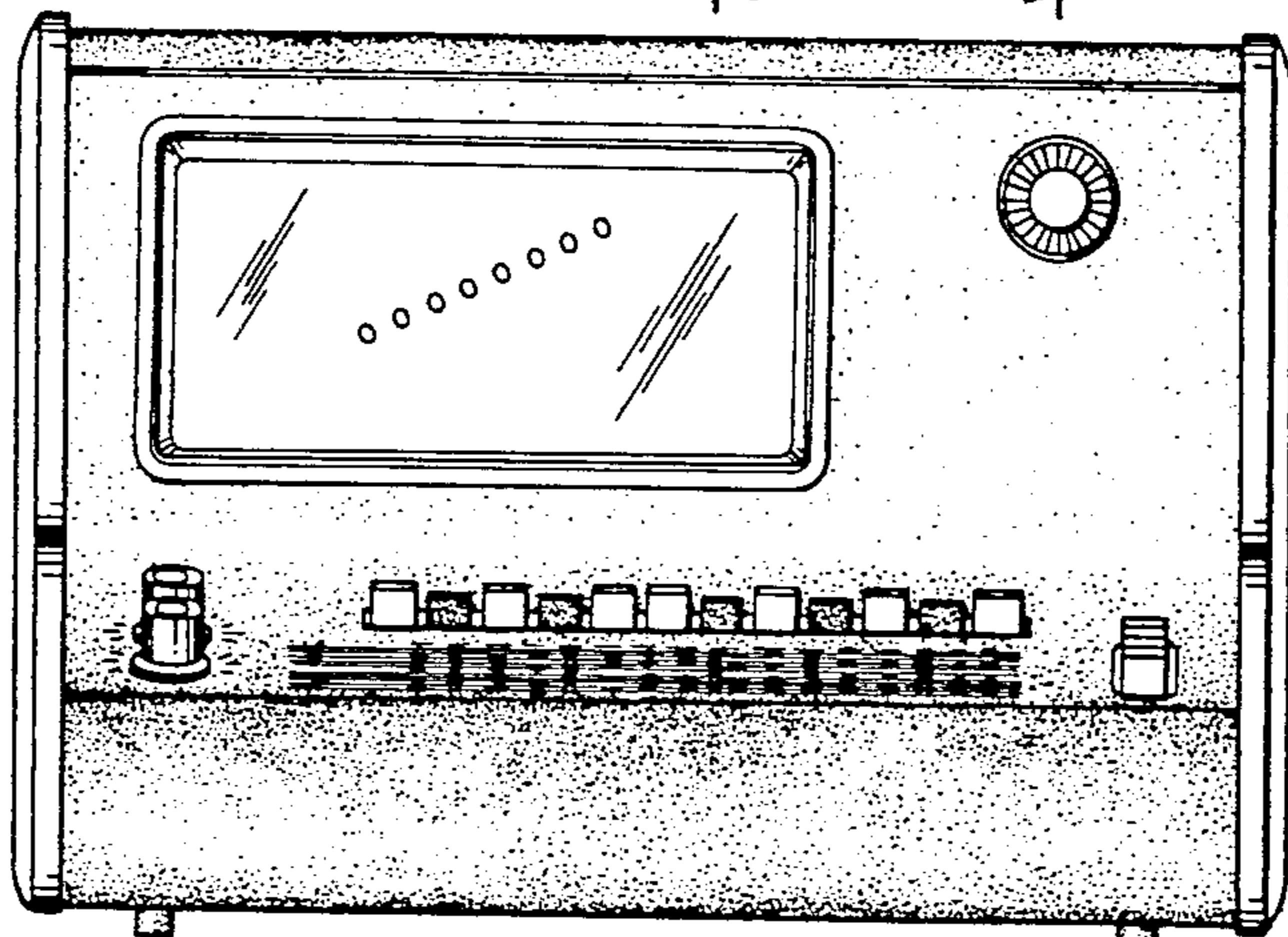


FIG. 1



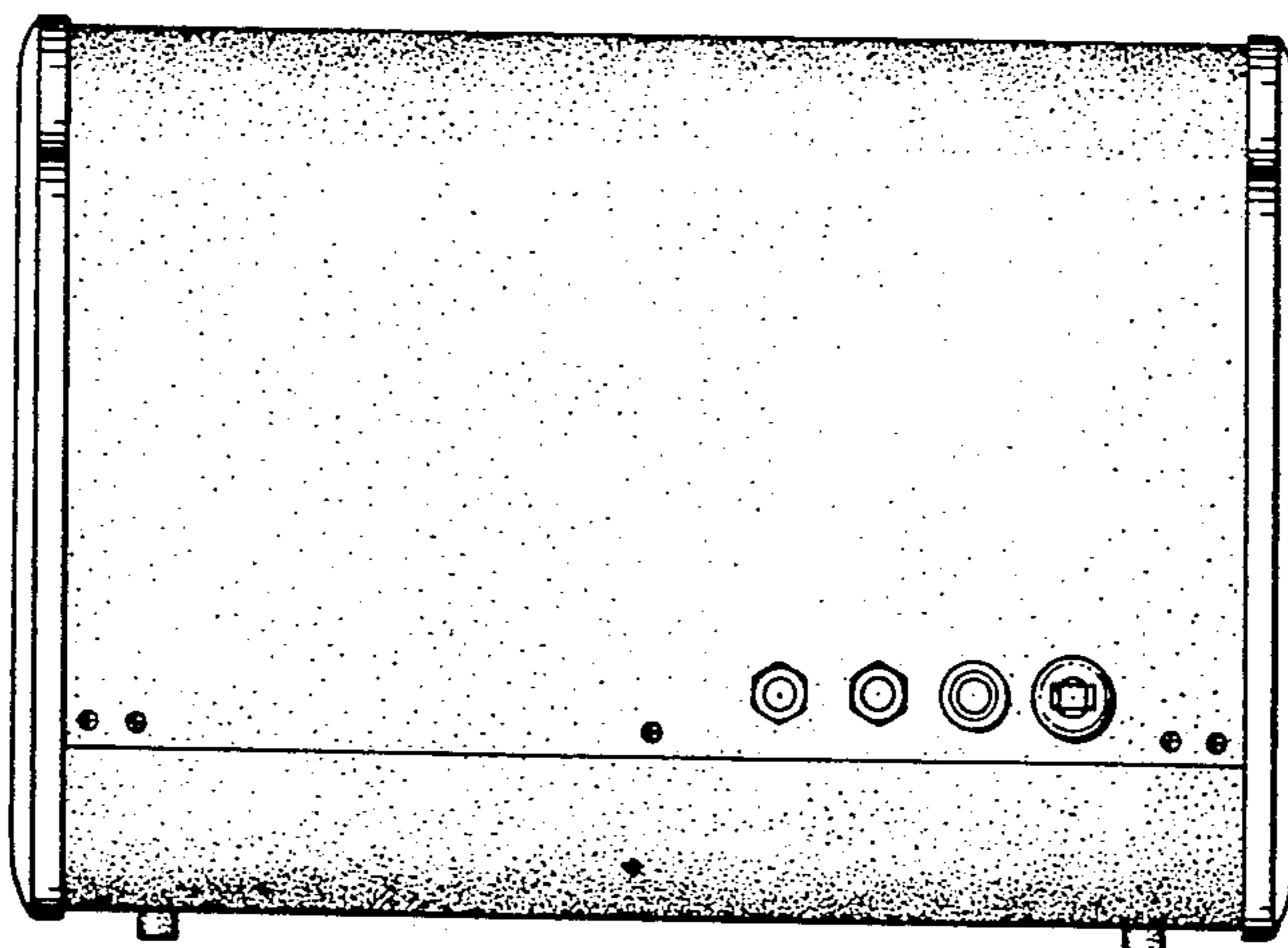
| 8 | | 9 |

FIG. 2



| 8 | | 9 |

FIG. 3



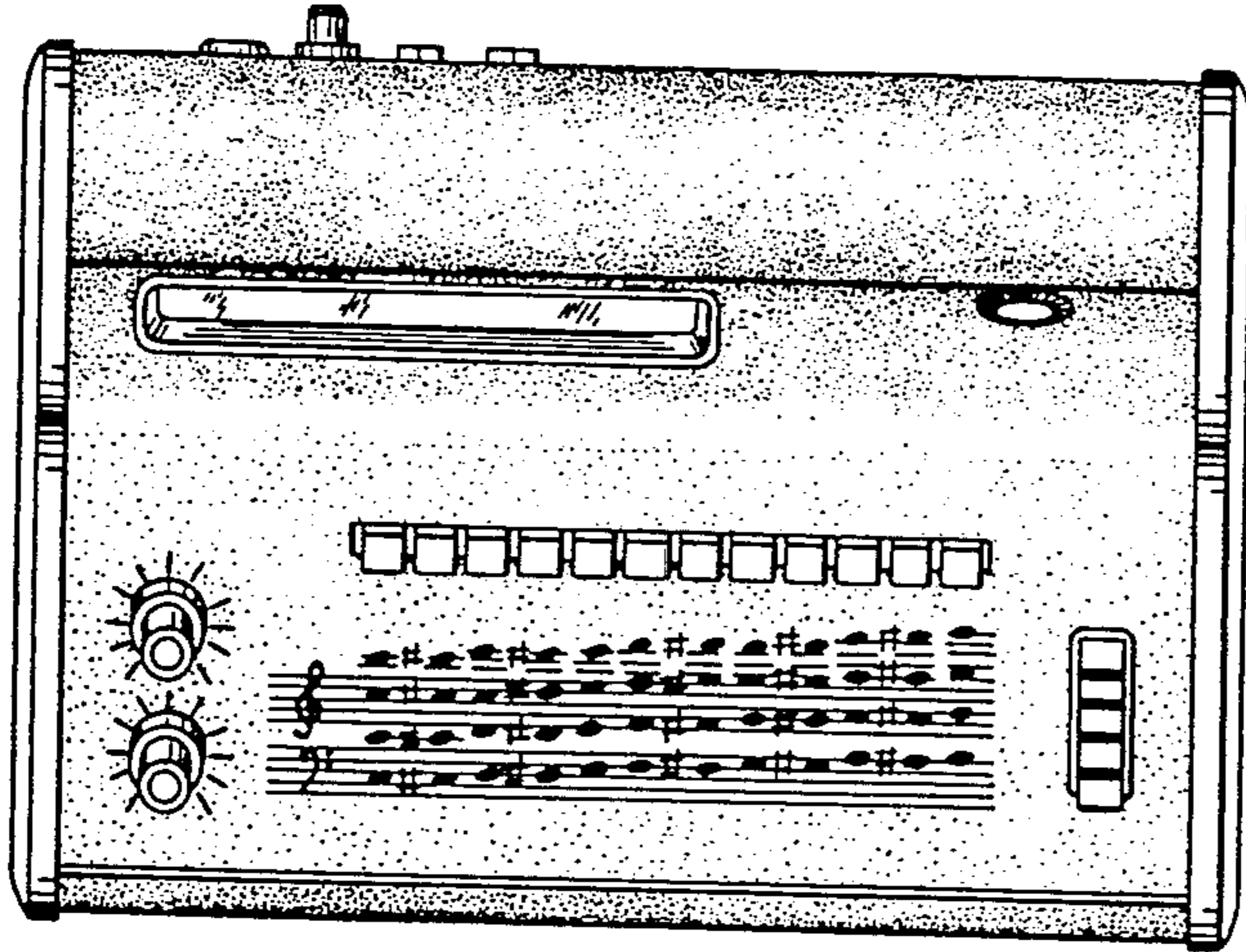


FIG. 4

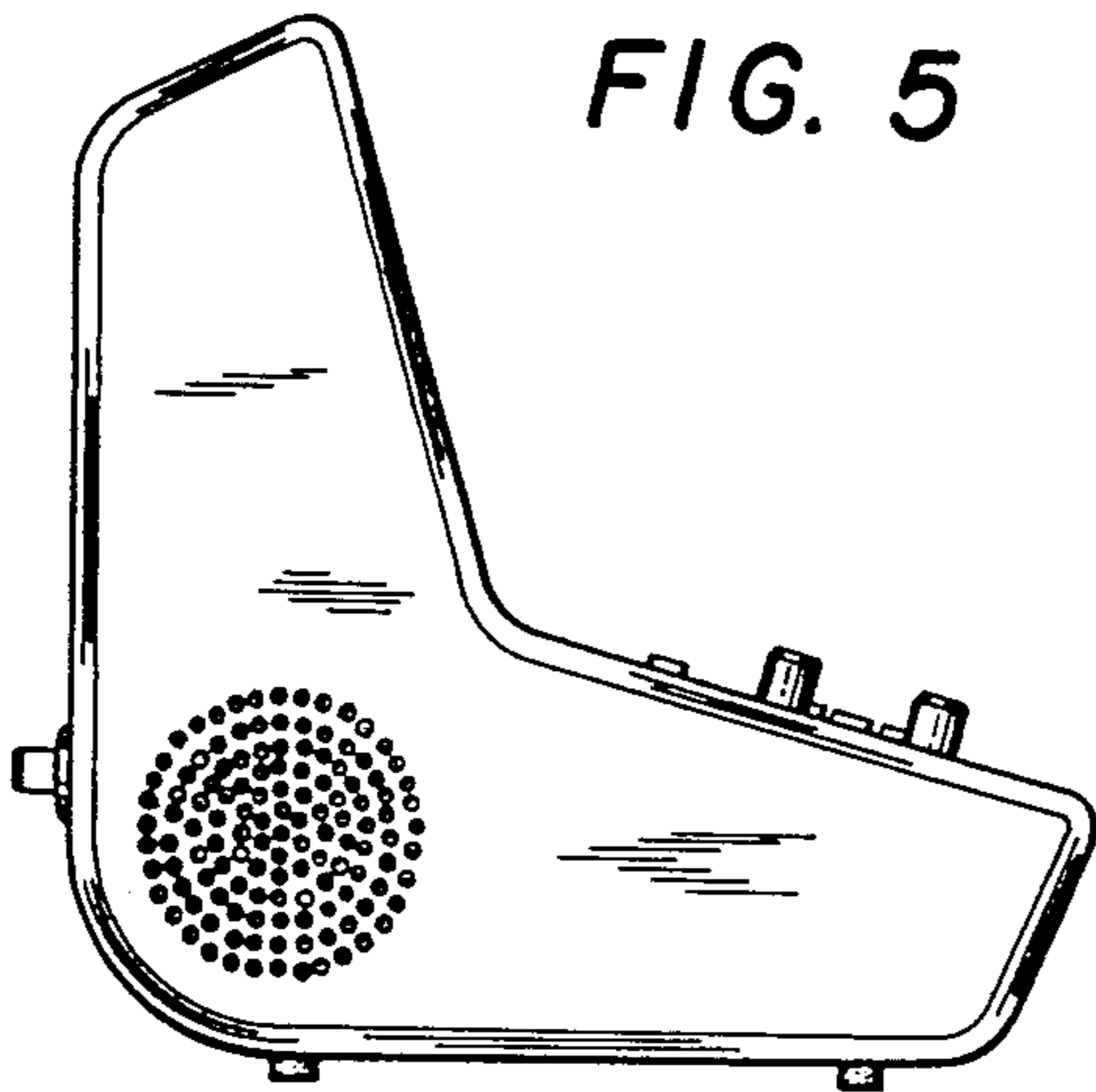


FIG. 5

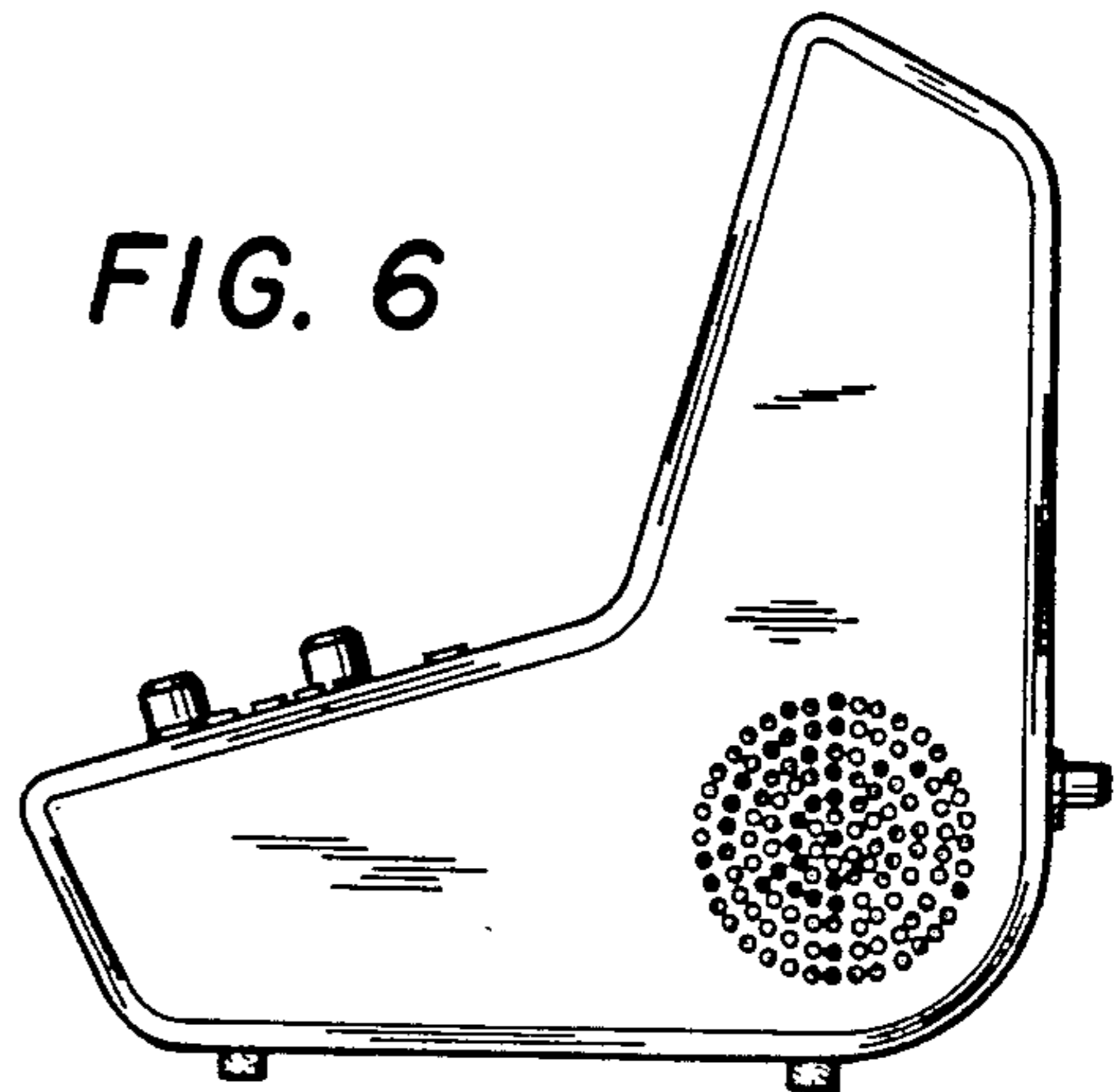


FIG. 6

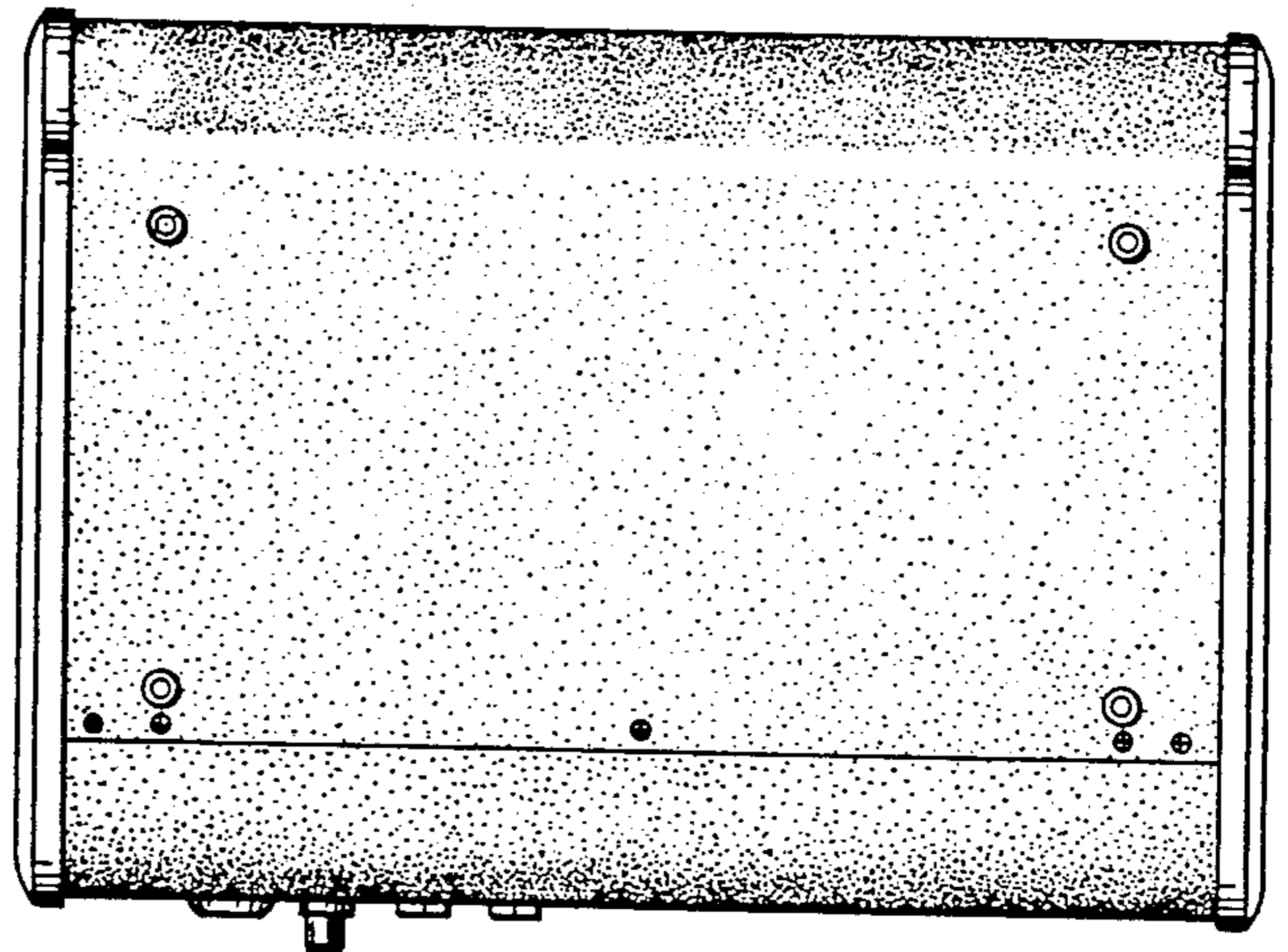


FIG. 7

FIG. 8

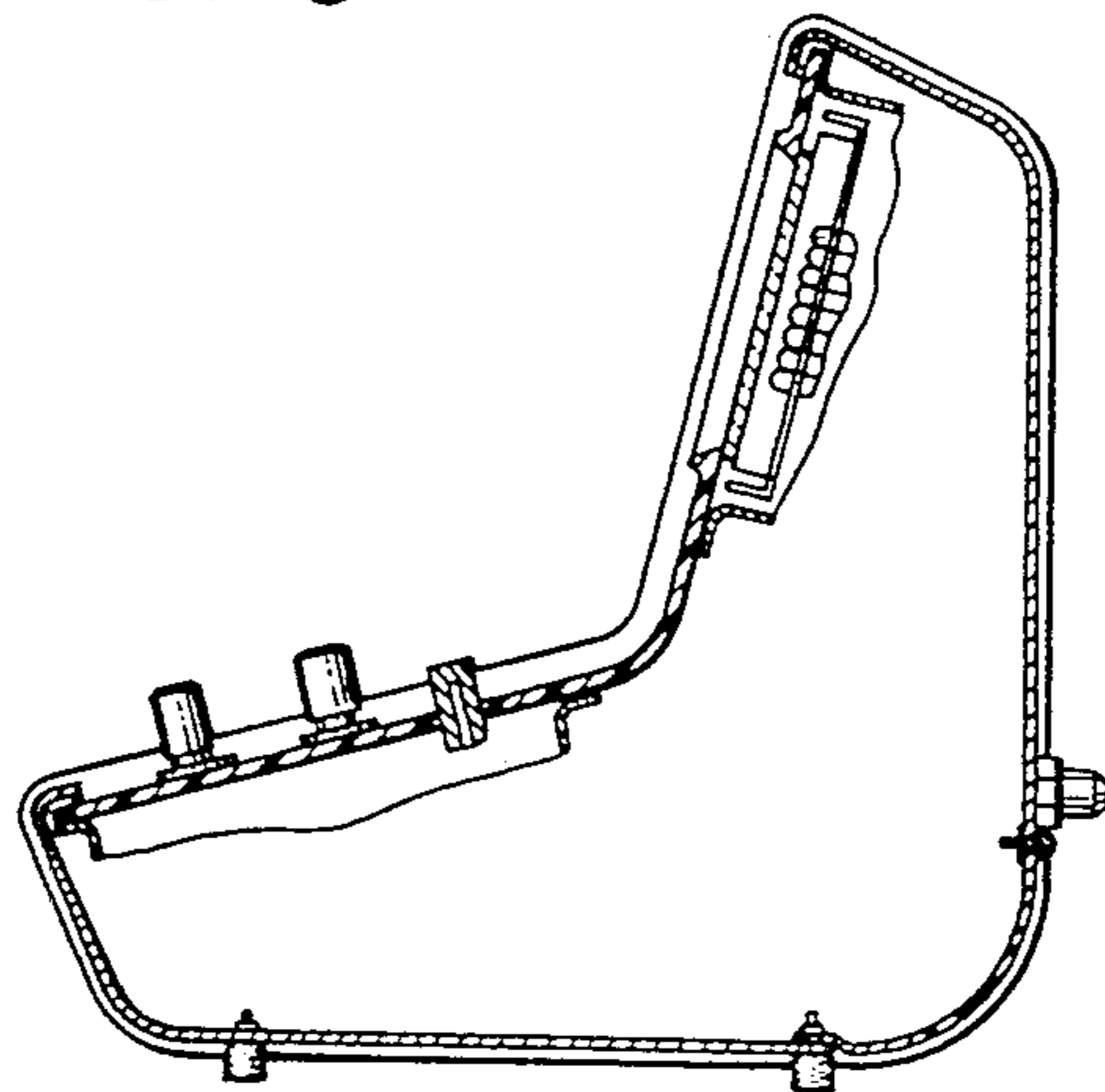


FIG. 9

