

[54] NEWSPAPER VENDING MACHINE

[76] Inventor: Jacob Burck, 921 Castlewood Terrace, Chicago, Ill. 60640

[\*\*] Term: 14 Years

[21] Appl. No.: 599,049

[22] Filed: July 25, 1975

[51] Int. Cl. .... D20-01

[52] U.S. Cl. .... D52/3 R

[58] Field of Search ..... D52/2 R, 2 C, 3 R; 194/2, 54-59; 221/226, 232, 279

[56] References Cited

U.S. PATENT DOCUMENTS

2,984,326	5/1961	Westphal	194/59
3,174,608	3/1965	Knickerbocker	194/54

D. 231,015 3/1974 Chalabian ..... D52/2 C

Primary Examiner—Nelson C. Holtje  
Attorney, Agent, or Firm—David A. Anderson

[57] CLAIM

The ornamental design for a newspaper vending machine, substantially as shown and described.

DESCRIPTION

FIG. 1 is a left front prospective view of a newspaper vending machine showing my new design; FIG. 2 is a right rear prospective view thereof; FIG. 3 is a top plan view thereof; FIG. 4 is a left front prospective view of another embodiment of my design of FIG. 1 wherein the display frames are positioned in a vertical format; FIG. 5 is a right rear prospective view thereof; and FIG. 6 is a top plan view thereof.

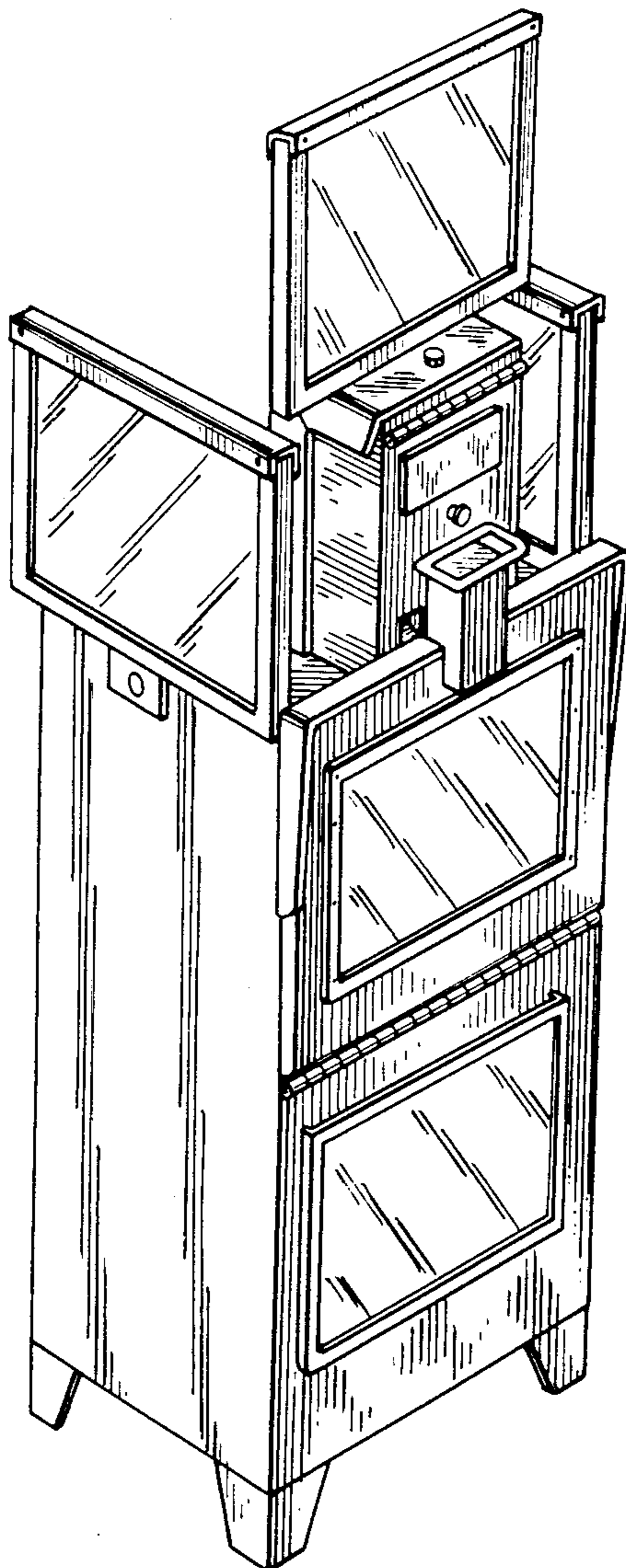


FIG. 1

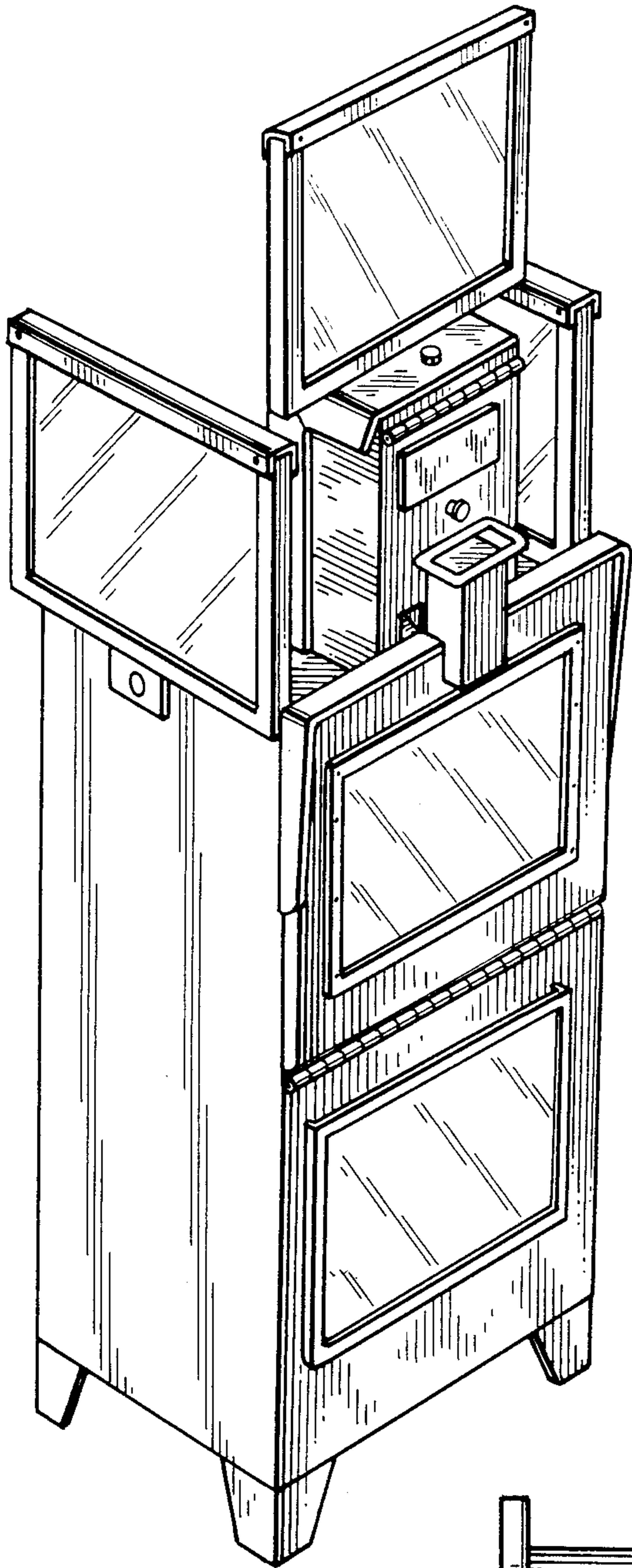


FIG. 2

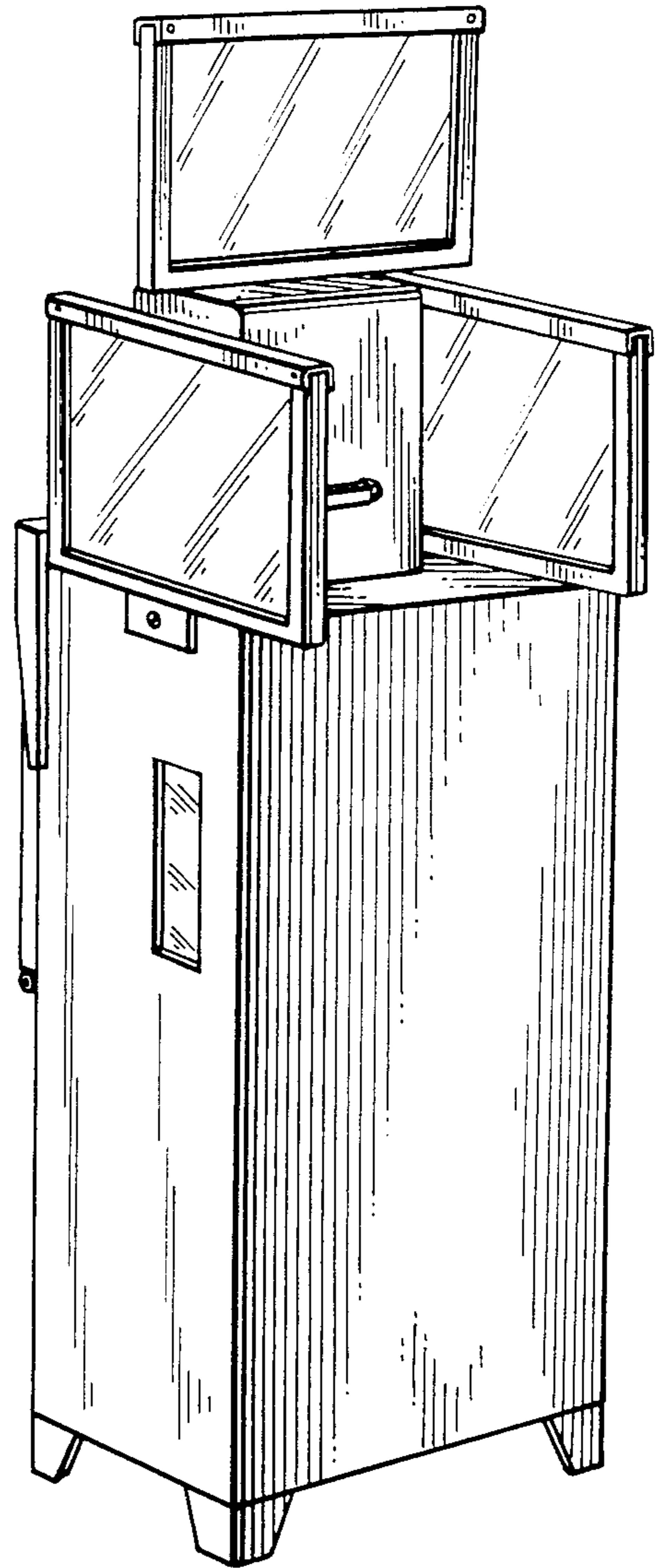


FIG. 3

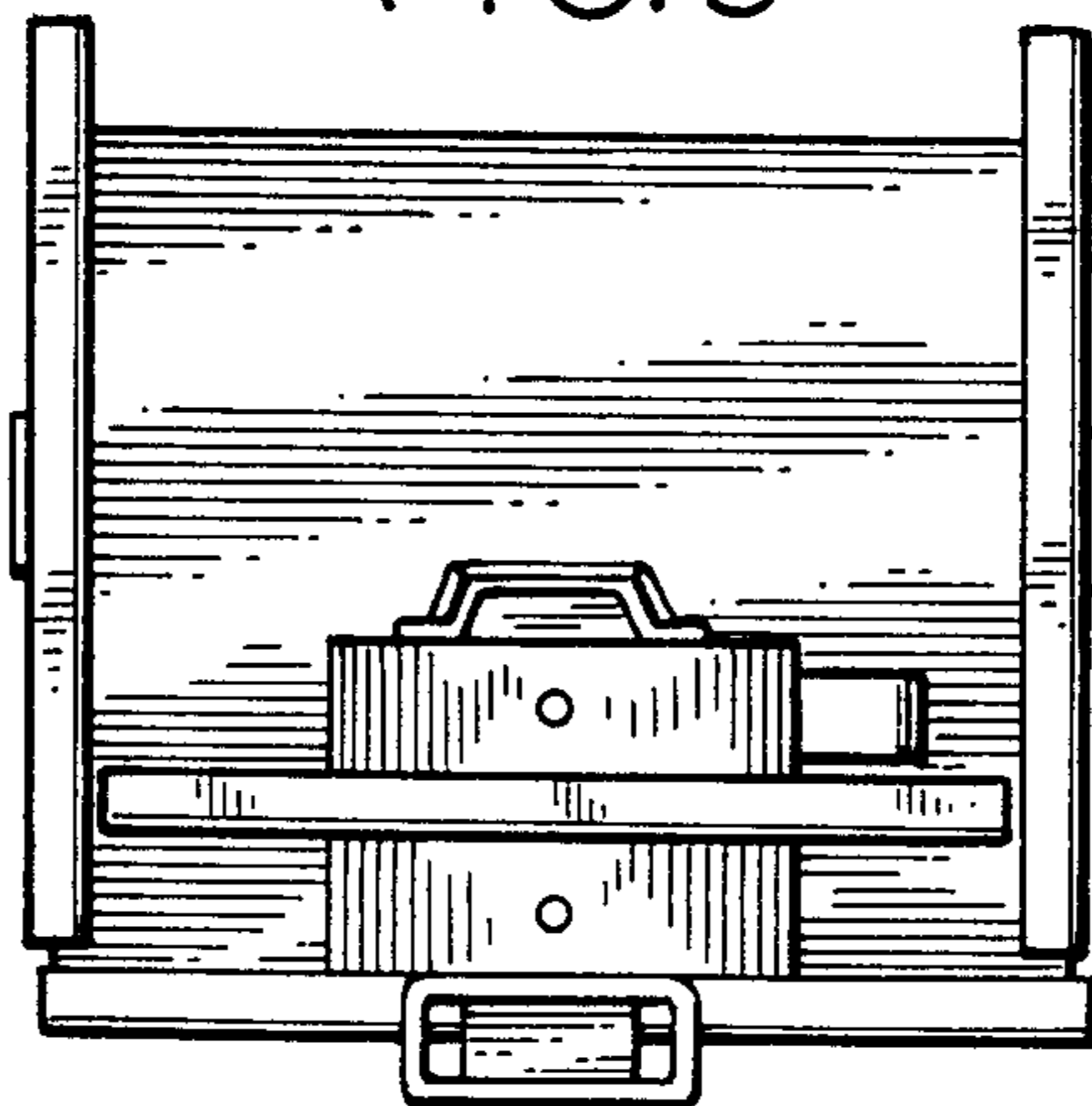


FIG. 4

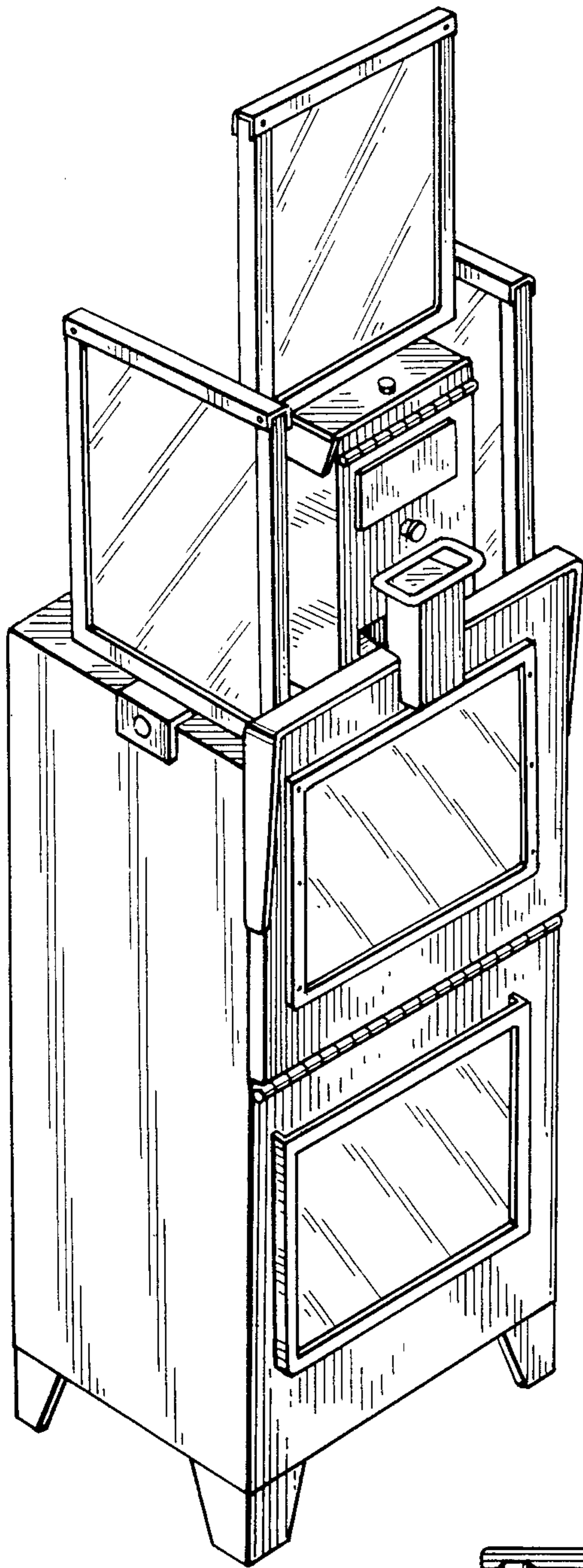


FIG. 5

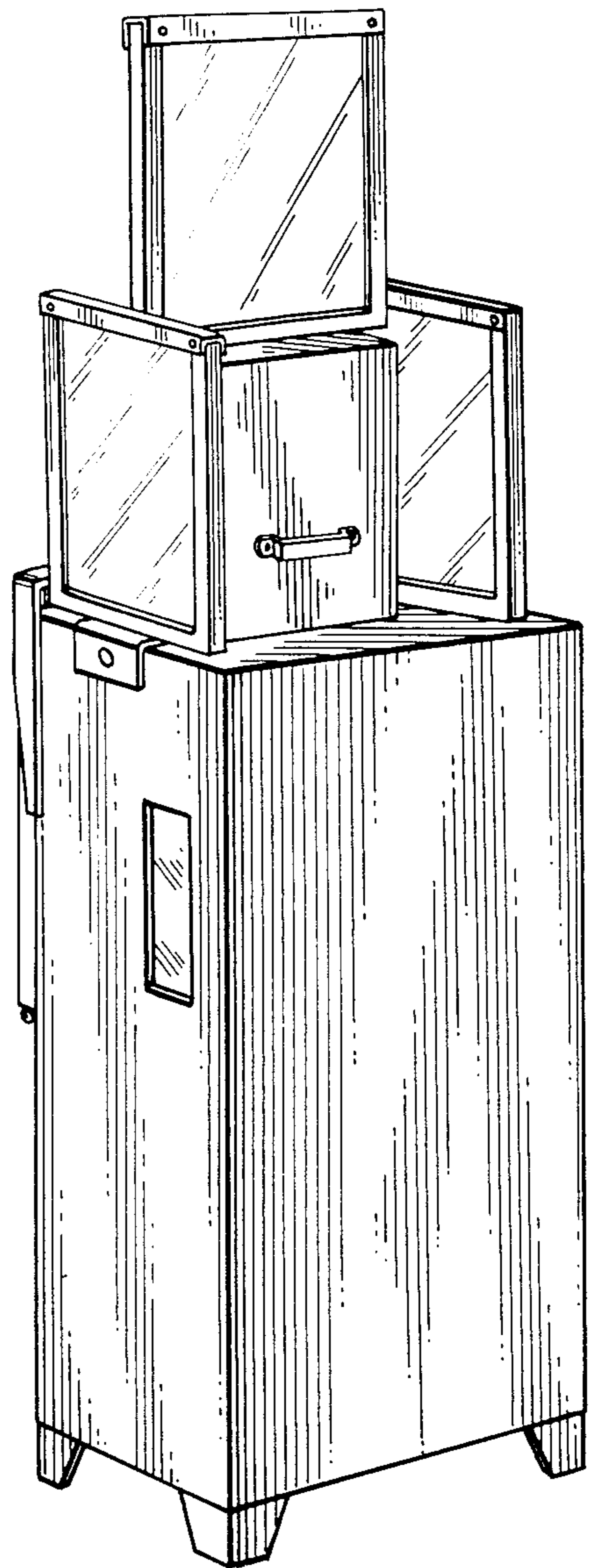


FIG. 6

