

[54] TOY VEHICLE

[76] Inventor: Kiyoji Asano, 27-23, 2-chome, Sumida, Tokyo, Japan

[**] Term: 14 Years

[21] Appl. No.: 636,938

[22] Filed: Dec. 2, 1975

[51] Int. Cl. D21-01

[52] U.S. Cl. D34/15 AJ

[58] Field of Search D12/1, 12-15, D12/51, 82, 83, 93, 96-97-99; D34/15 AJ, 15 D, 15 S, 15 AE, 15 AN; 46/214, 215, 222, 201, 207, 251, 252

[56] References Cited

U.S. PATENT DOCUMENTS

3,775,902 12/1973 Gagnon 46/214

OTHER PUBLICATIONS

Design News, 12-'56, p. 4, Scraper.
Miller Trailering Guide, 7-1970, p. 9, Scraper.

Primary Examiner—Robert C. Spangler
Assistant Examiner—C. A. Rademaker
Attorney, Agent, or Firm—Harry John Staas

[57] CLAIM

The original design for a toy vehicle, as shown.

DESCRIPTION

FIG. 1 is a left side elevational view of a toy vehicle embodying my new design.
FIG. 2 is a right side elevational view thereof;
FIG. 3 is a front elevational view thereof;
FIG. 4 is a rear elevational view thereof;
FIG. 5 is a top plan view thereof; and
FIG. 6 is a bottom plan view thereof.

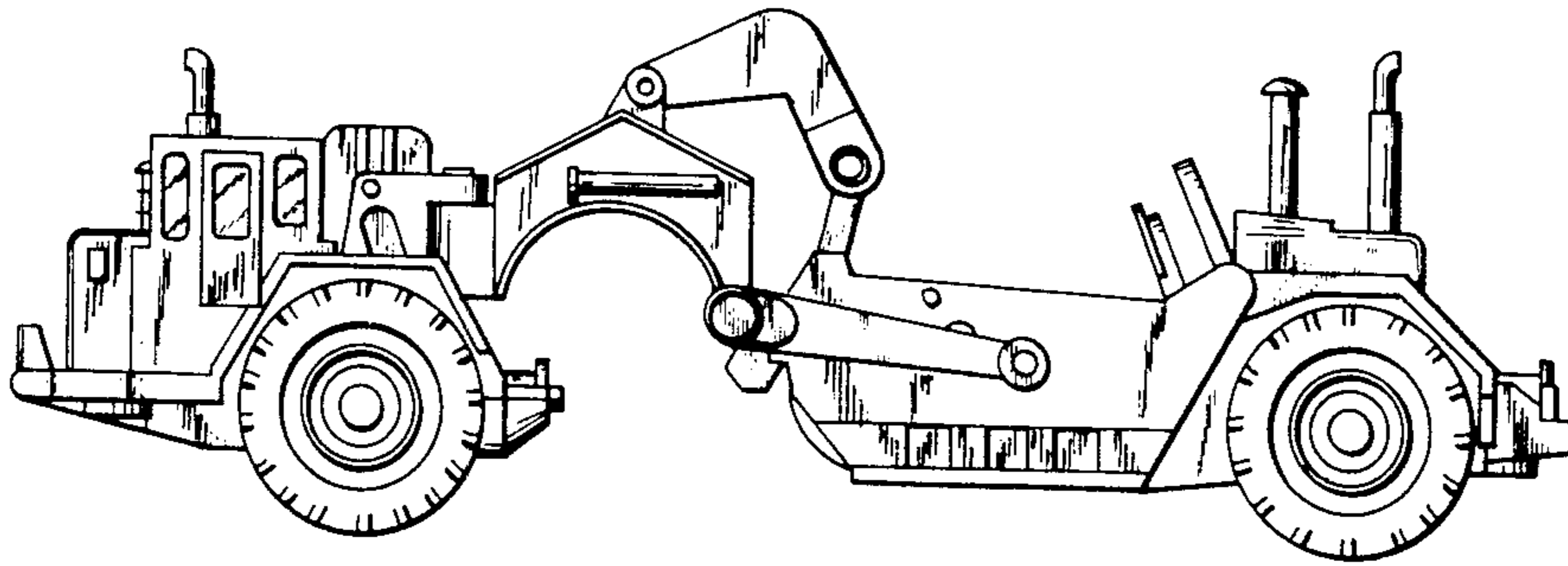


FIG. 1

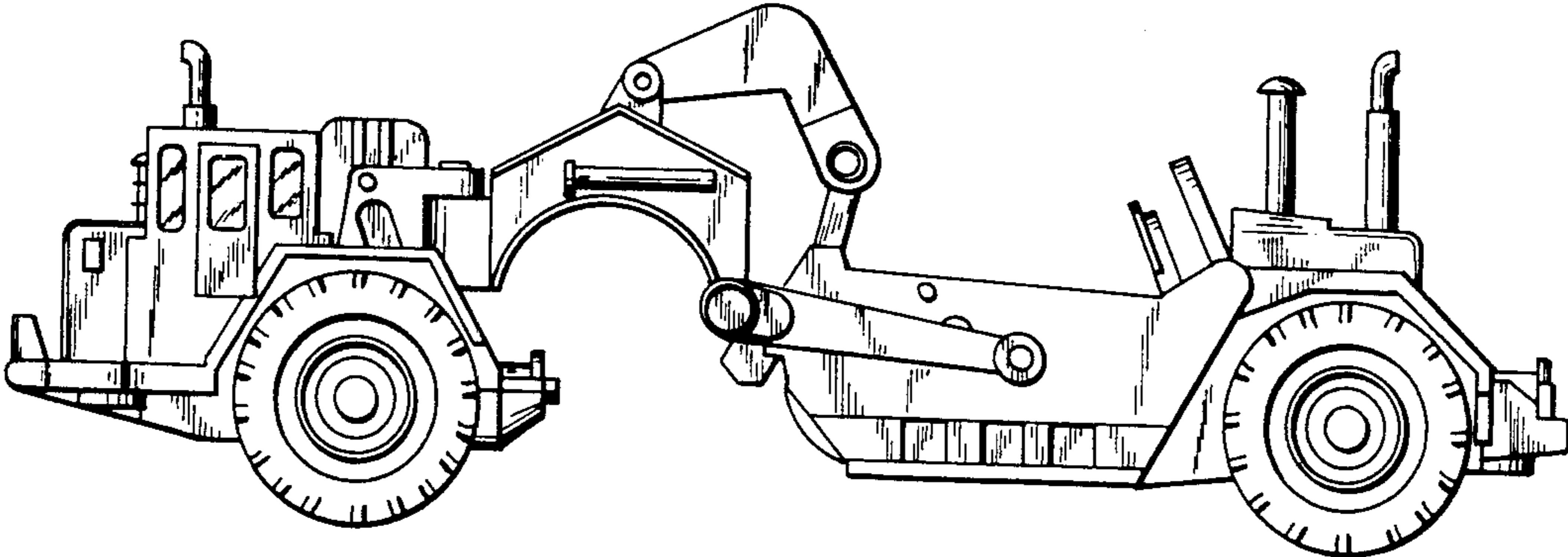


FIG. 3

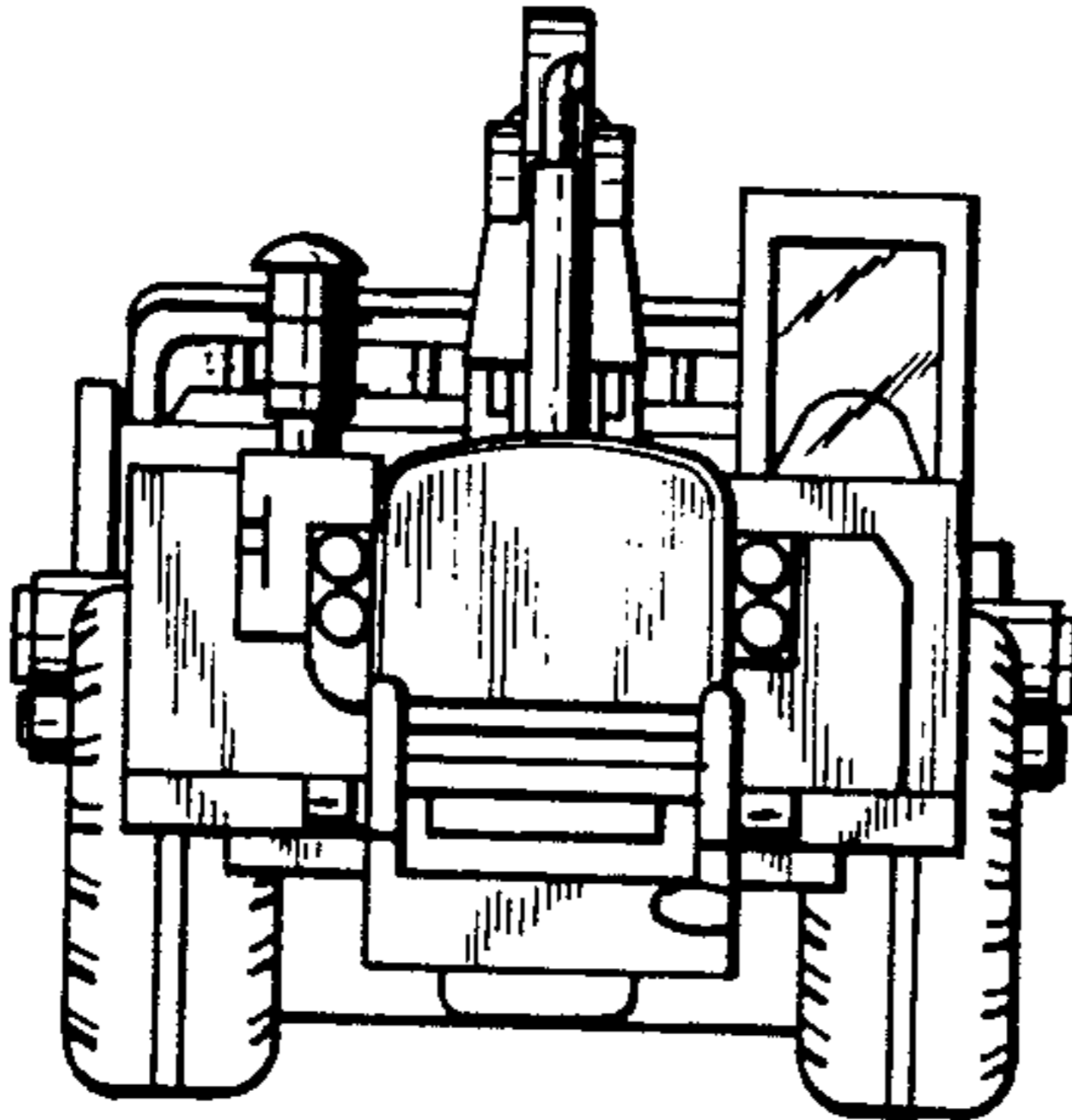


FIG. 4

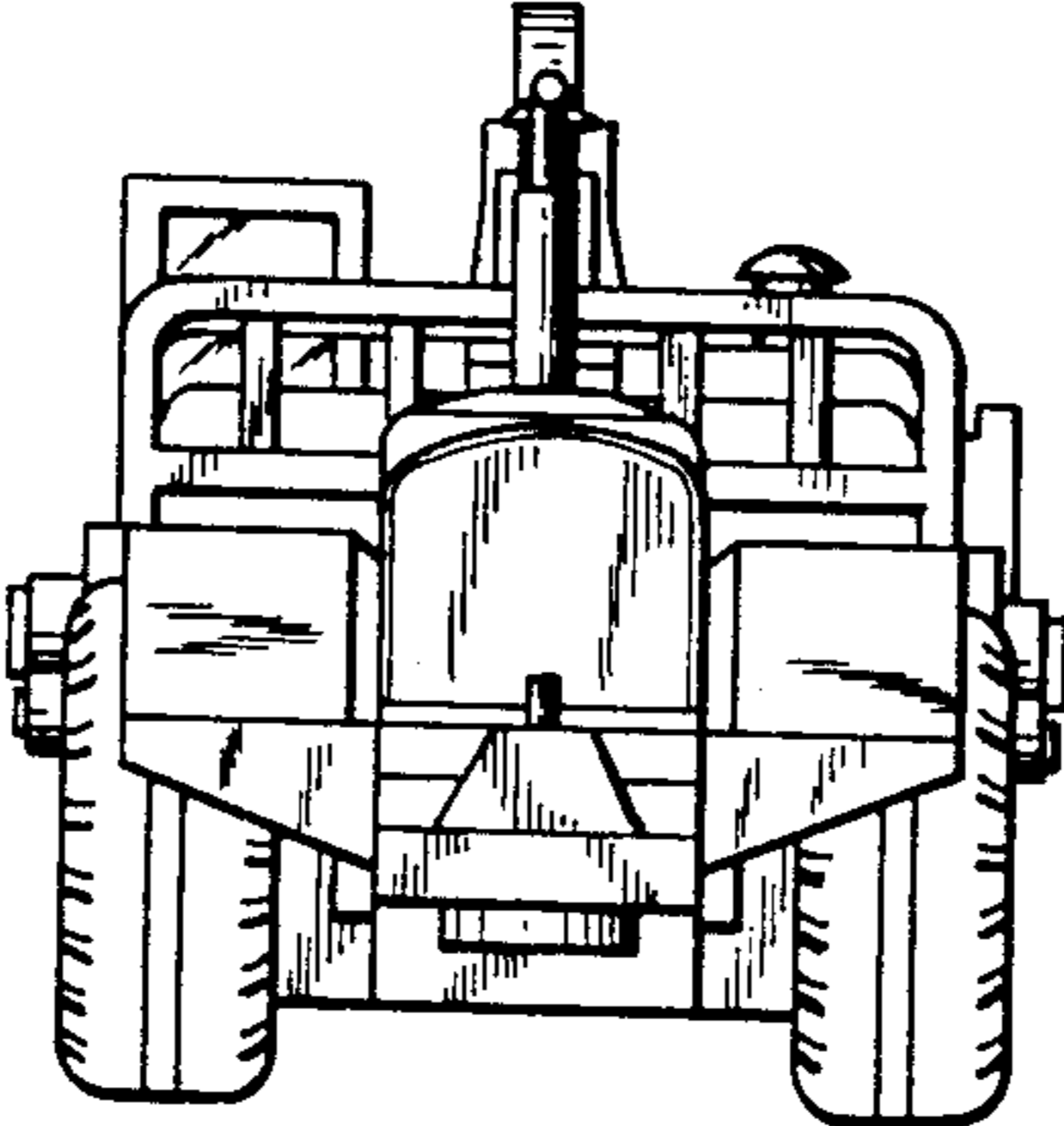


FIG. 2

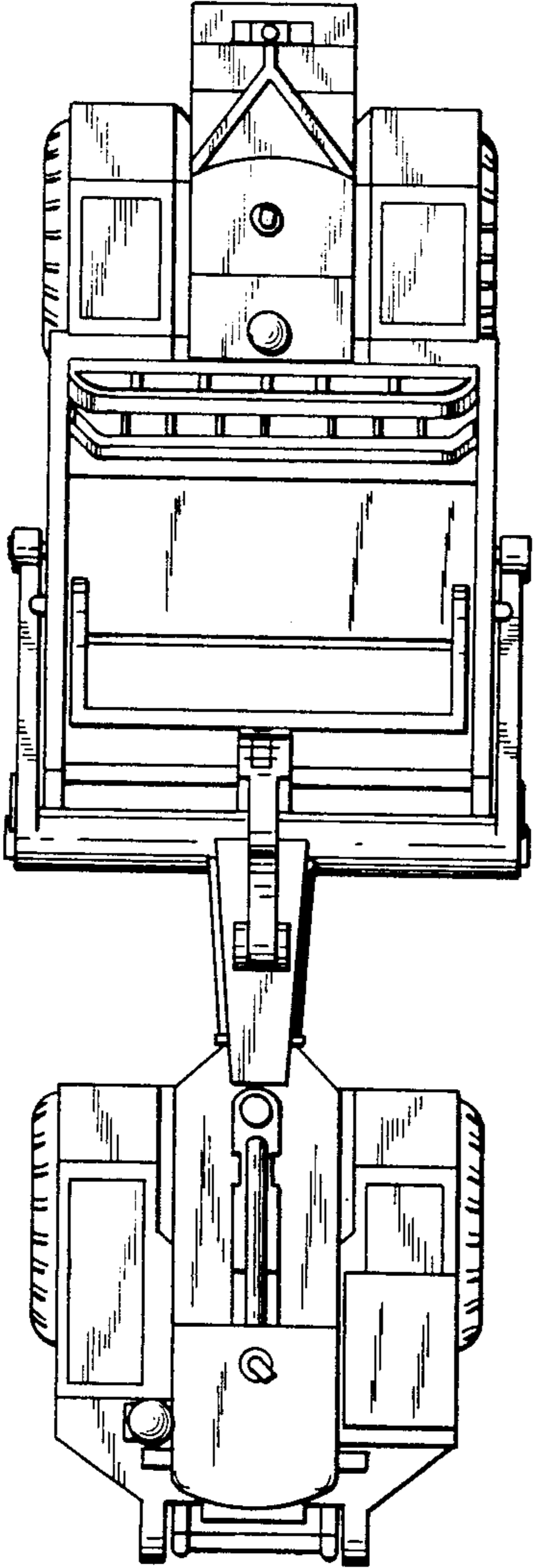
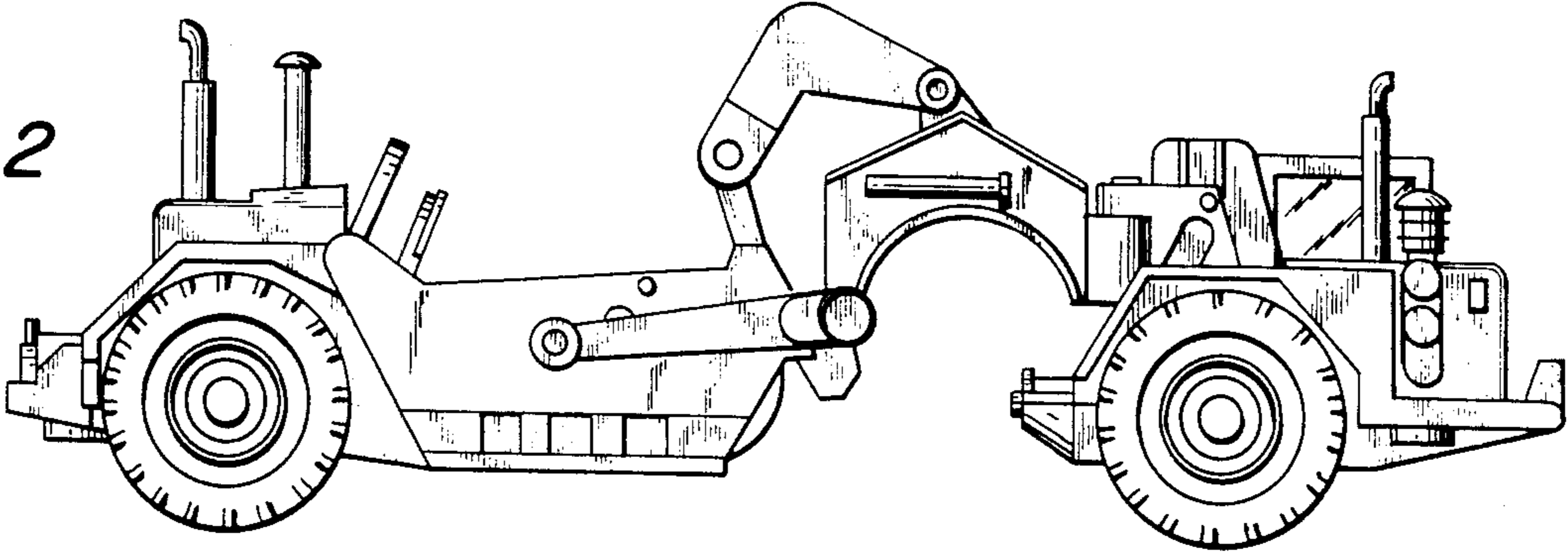


FIG. 5

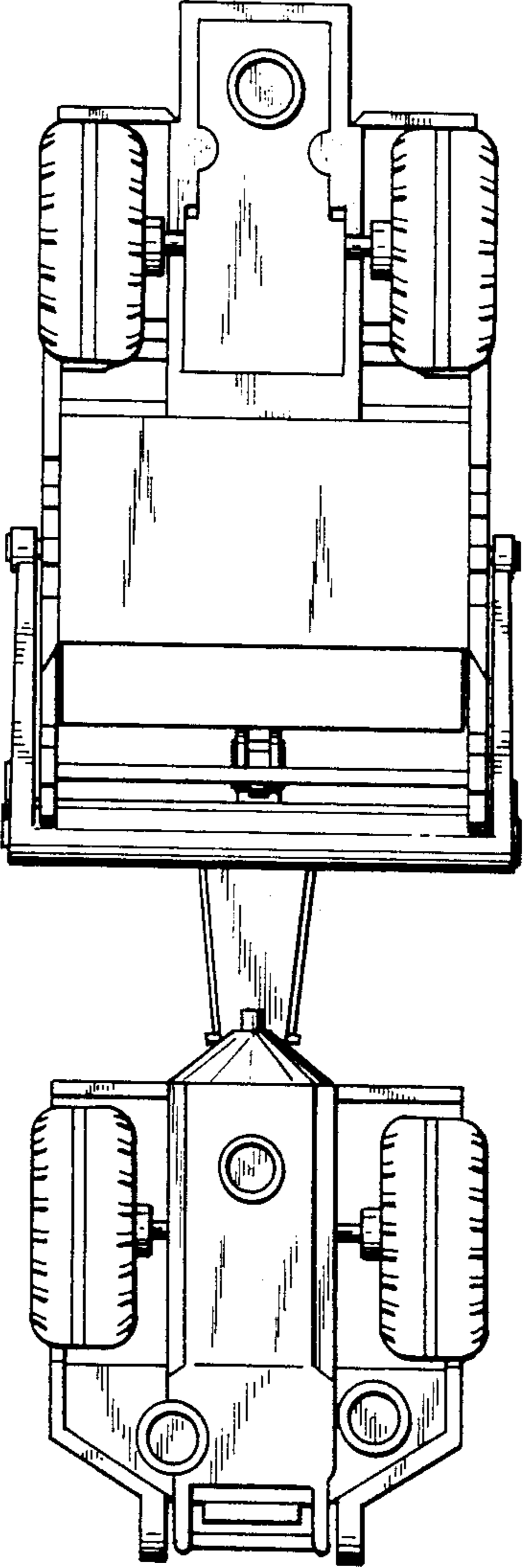


FIG. 6