

[54] PLAYWHEEL FOR SMALL ANIMALS

[76] Inventor: Tetsumi Yamazaki, No. 12-8,  
Sakae-Honmachi Ikeda, Osaka,  
Japan

[\*\*] Term: 14 Years

[21] Appl. No.: 709,747

[22] Filed: July 29, 1976

[51] Int. Cl. .... D30-07

[52] U.S. Cl. .... D30/42

[58] Field of Search ..... D30/1-18,  
D30/32-99; 119/15, 29

[56]

References Cited

U.S. PATENT DOCUMENTS

3,057,328	10/1962	Swartz	119/29
3,933,126	1/1976	Gordon	119/29
D. 220,572	4/1971	Rosenberg	D30/42
D. 240,306	6/1976	Suchowski et al.	D30/42

Primary Examiner—James R. Largen  
Attorney, Agent, or Firm—Allison C. Collard

[57]

CLAIM

The ornamental design for a playwheel for small animals, substantially as shown.

DESCRIPTION

FIG. 1 is a perspective view of a playwheel for small animals showing my new design;  
FIG. 2 is a side elevation view thereof;  
FIG. 3 is a front view thereof;  
FIG. 4 is a rear view thereof; and  
FIG. 5 is an exploded perspective view thereof.

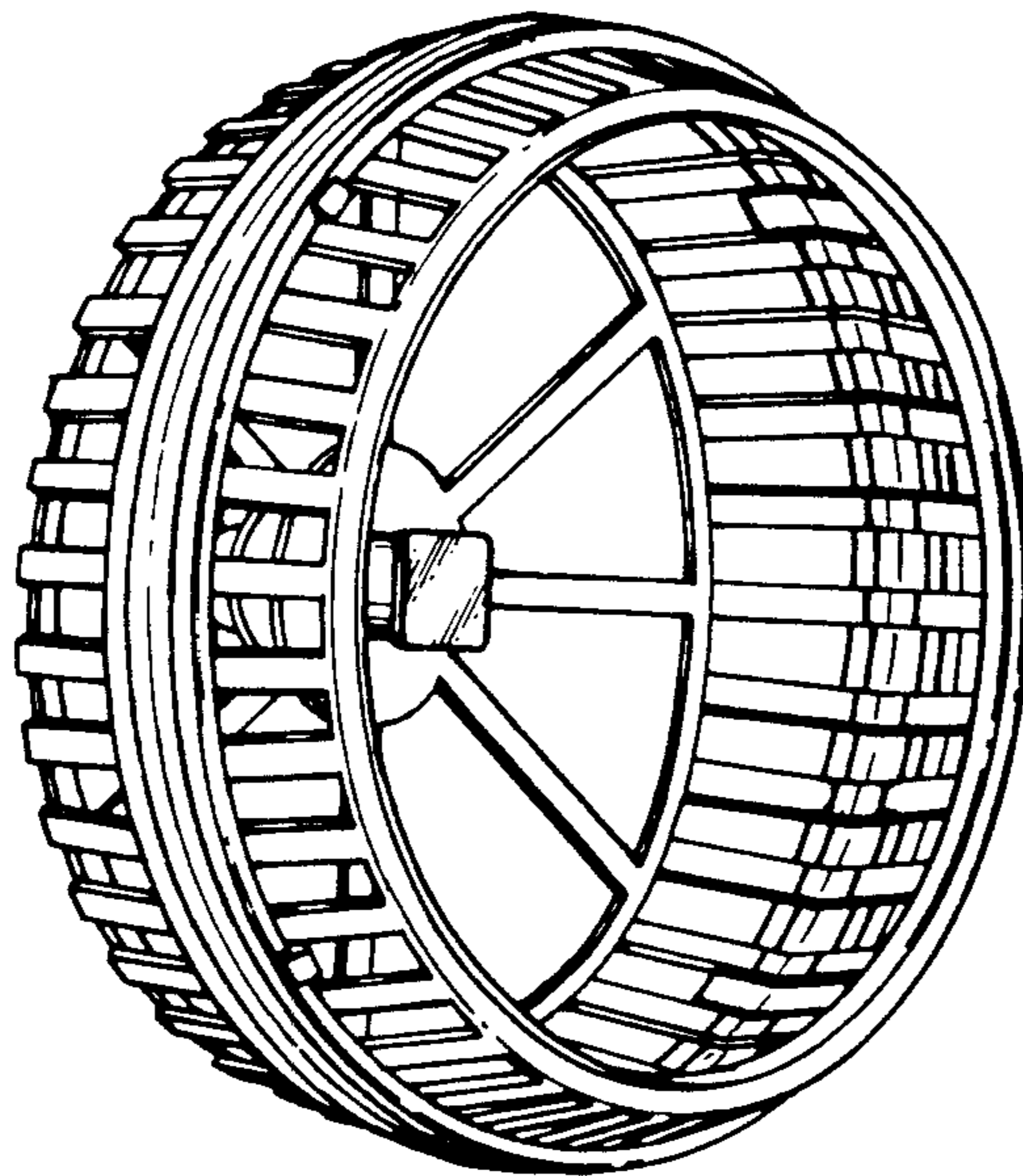


FIG. 1

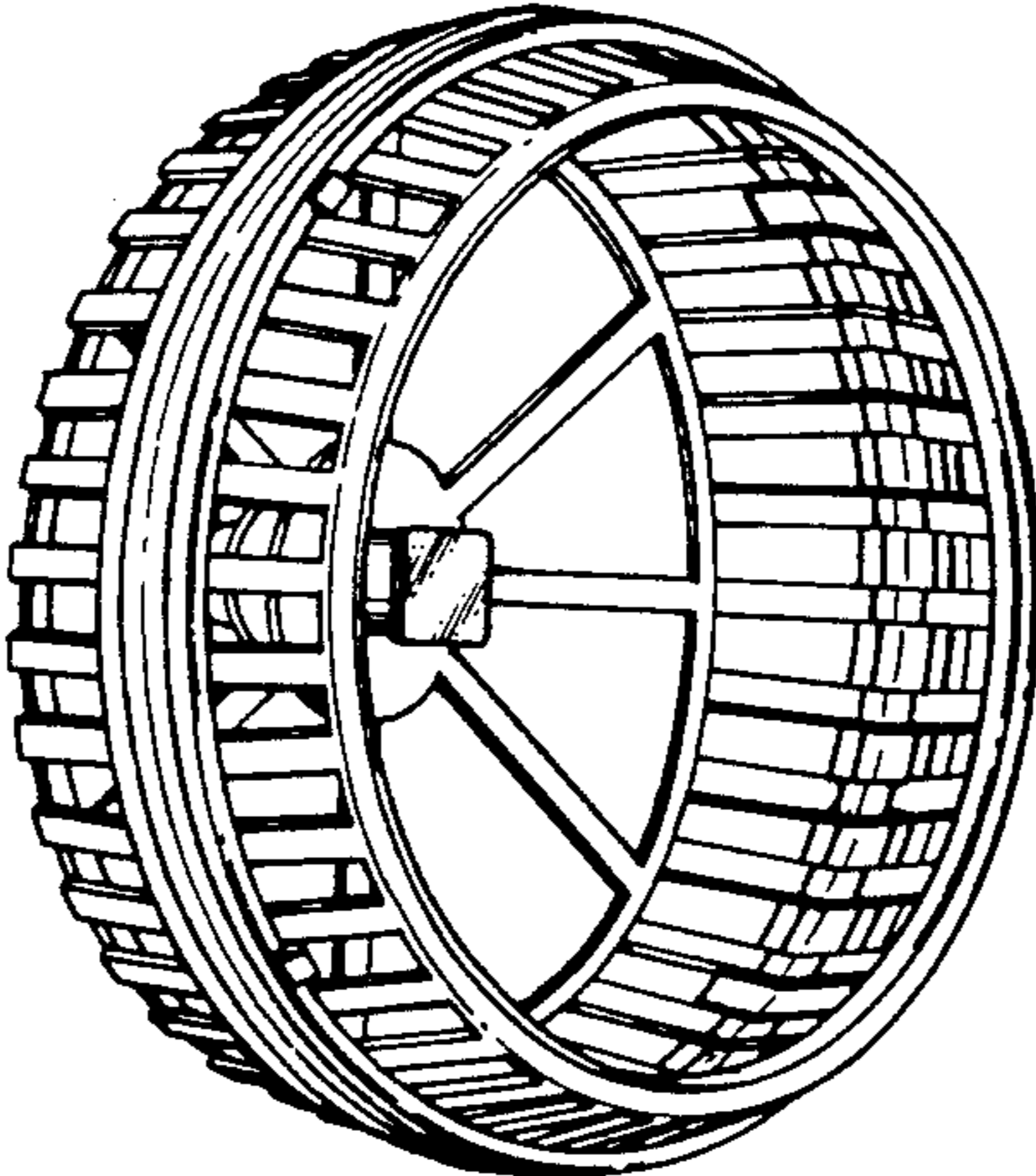


FIG. 5

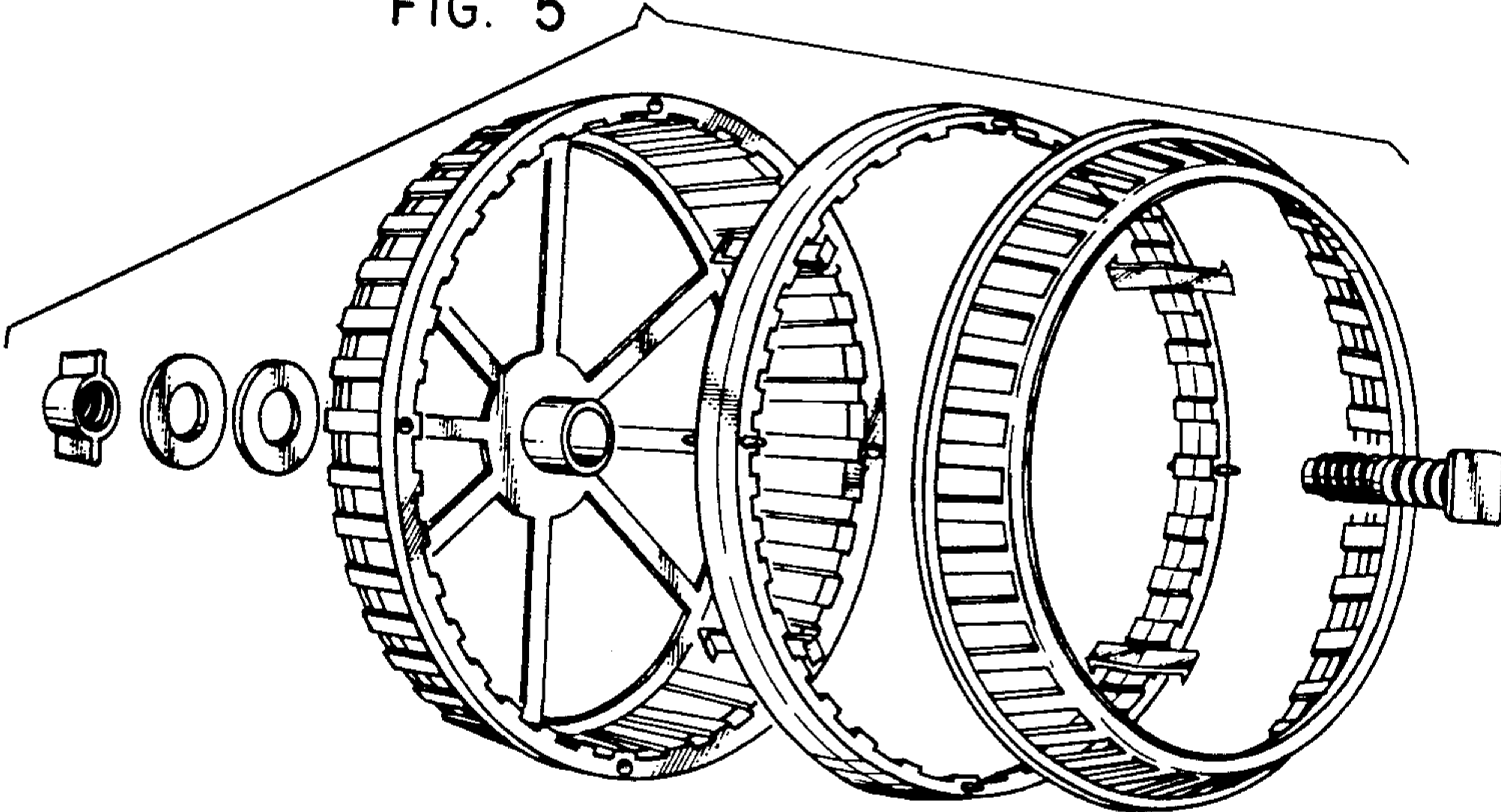


FIG. 2

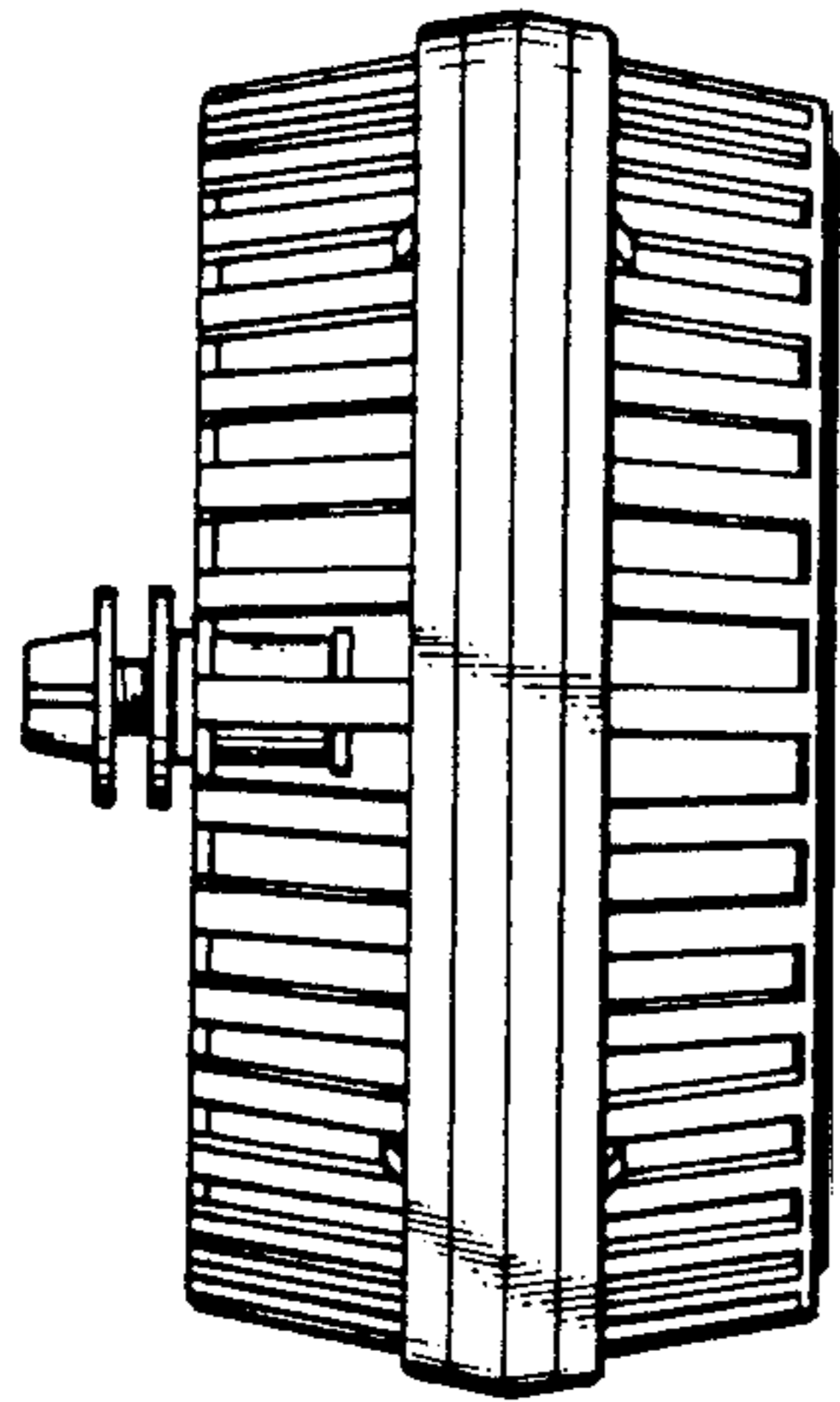


FIG. 3

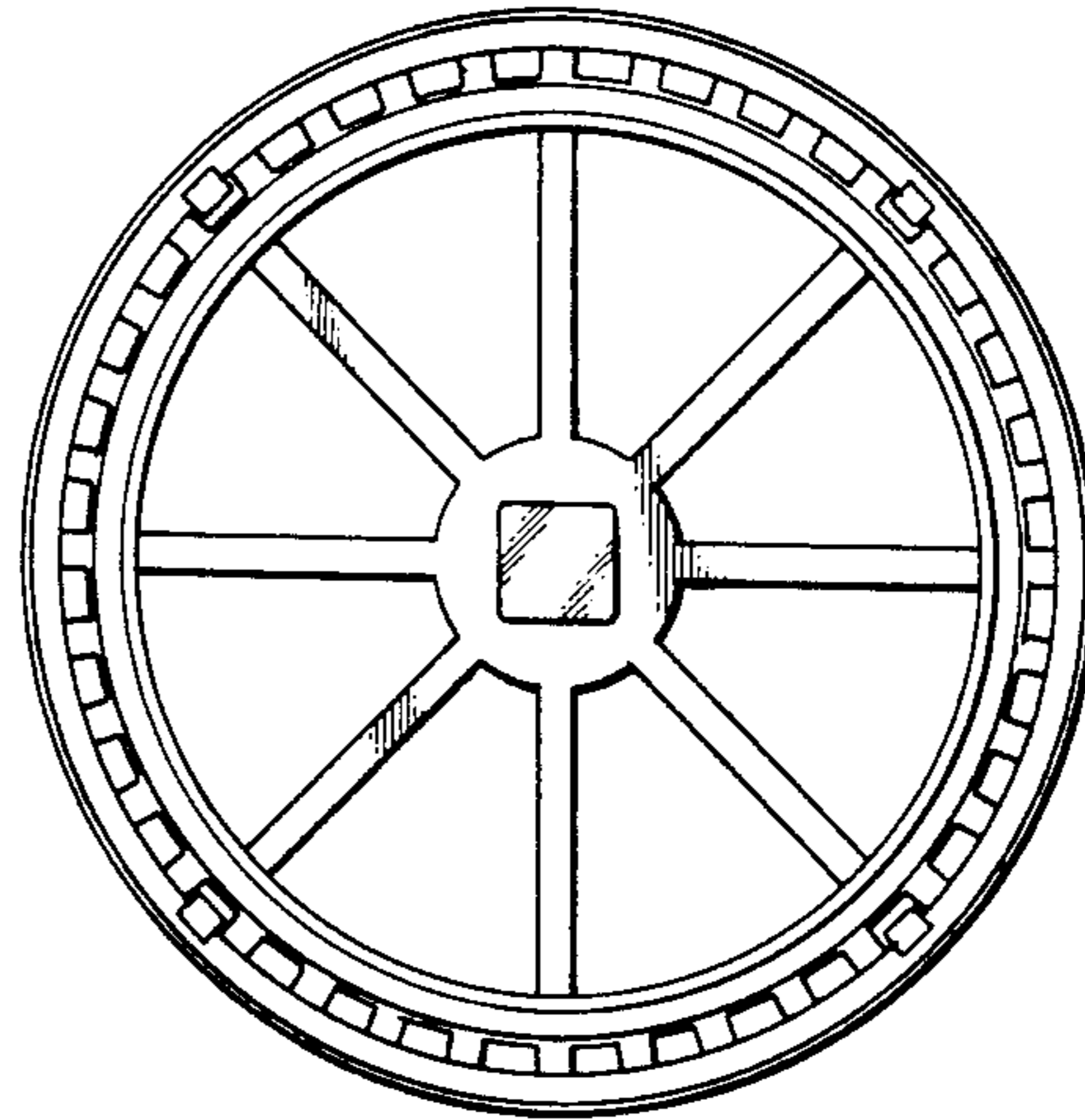


FIG. 4

